

# 油浸式永磁潜水泵

## Oil immersed permanent magnet submersible pump

### 304 stainless steel

整机防锈防腐，可抽排海水/酸碱水质，使用寿命长。

The whole machine is rustproof and corrosion resistant, can pump seawater/acid and alkali water quality, long service life.



辰禹（重庆）流体设备有限公司

Chen Yu (Chongqing) Fluid Equipment Co., LTD



# 目录 Catalogue

型号 Model : QY80-25-4A/3 寸 ( inch ) .....	1
型号 Model : QY100-15-4A/4 寸 ( inch ) .....	2
型号 Model : QY80-35-5.5A/3 寸 ( inch ) .....	3
型号 Model : QY80-45-7.5A/3 寸 ( inch ) .....	4
型号 Model : QY100-18-5.5A/4 寸 ( inch ) .....	5
型号 Model : QY220-8-4A/6 寸 ( inch ) .....	7
型号 Model : QY260-11-5.5A/6 寸 ( inch ) .....	8
型号 Model : QY320-12-7.5A/6 寸 ( inch ) .....	9
型号 Model : QY300-8-5.5A/8 寸 ( inch ) .....	10
型号 Model : QY380-10-7.5A/8 寸 ( inch ) .....	11
无堵塞污水泵型号 : GNWQ80-17-5.5A/3 寸-法兰.....	12
Non-clogging pump model: GNWQ80-17-5.5A/3 inch-flange.....	12
无堵塞污水泵型号 : GNWQ80-17-5.5A/3 寸-法兰.....	13
Non-clogging pump model: GNWQ80-17-5.5A/3 inch-flange.....	13
QY 系列油浸式永磁潜水泵 ( 不锈钢 ) 数据表 .....	14
QY Series Oil-Immersed Permanent Magnet Submersible Pump.....	14
YCQY 轻便型永磁油浸泵 YCQY Light Permanent Magnet Oil Immersion Pump.....	15
GB 系列污水泵数据表 GB Series Sewage Pump Data Sheet .....	17





◆ 型号 Model : QY80-25-4A/3 寸 ( inch )

电压 Voltage	重量 Weight	最大扬程 Maximum head	最大流量 Maximum (stream)flow	机身尺寸 Body size	出水口尺寸 Size of outlet
380V	20kg	25m	80m <sup>3</sup> /h	Φ185×H510 mm	3 寸(75mm)

整机全不锈钢 304 打造，连水叶都是 304 精铸不锈钢,所以耐酸、耐碱、耐用，新能源同款永磁电机，内置全铜线圈，搭配高端稳定控制器，速度提高效率提升 30%,缺相保护、缺水保护、过载保护多重保护，质保 18 个月，免费换新机，一对一售后服务，售后无忧!

Crafted entirely from 304 stainless steel, including precision-cast blades, this equipment demonstrates exceptional acid and alkali resistance with durable construction. Featuring the same permanent magnet motor as our new energy products, it incorporates fully copper-coiled internal components paired with a high-end stabilized controller. The system achieves 30% efficiency improvement through optimized speed control, while integrated protection mechanisms provide phase loss, water shortage, and overload safeguards. Enjoy 18-month warranty, free replacement service, and personalized after-sales support – your worry-free upgrade!





◆ 型号 Model : QY100-15-4A/4 寸 ( inch )

电压 Voltage	重量 Weight	最大扬程 Maximum head	最大流量 Maximum (stream)flow	机身尺寸 Body size	出水口尺寸 Size of outlet
380V	21kg	15m	100m <sup>3</sup> /h	φ100×H520 mm	4 寸(100mm)

整机全不锈钢 304 打造，连水叶都是 304 精铸不锈钢,所以耐酸、耐碱、耐用，新能源同款永磁电机，内置全铜线圈，搭配高端稳定控制器，速度提高效率提升 30%,缺相保护、缺水保护、过载保护多重保护，质保 18 个月，免费换新机，一对一售后服务，售后无忧!

Crafted entirely from 304 stainless steel, including precision-cast blades, this equipment demonstrates exceptional acid and alkali resistance with durable construction. Featuring the same permanent magnet motor as our new energy products, it incorporates fully copper-coiled internal components paired with a high-end stabilized controller. The system achieves 30% efficiency improvement through optimized speed control, while integrated protection mechanisms provide phase loss, water shortage, and overload safeguards. Enjoy 18-month warranty, free replacement service, and personalized after-sales support – your worry-free upgrade!





◆ 型号 Model : QY80-35-5.5A/3 寸 ( inch )

电压 Voltage	重量 Weight	最大扬程 Maximum head	最大流量 Maximum (stream)flow	机身尺寸 Body size	出水口尺寸 Size of outlet
380V	24kg	35m	80m <sup>3</sup> /h	φ280×H475 mm	3 寸(75mm)

整机全不锈钢 304 打造，连水叶都是 304 精铸不锈钢,所以耐酸、耐碱、耐用，新能源同款永磁电机，内置全铜线圈，搭配高端稳定控制器，速度提高效率提升 30%,缺相保护、缺水保护、过载保护多重保护，质保 18 个月，免费换新机，一对一售后服务，售后无忧!

Crafted entirely from 304 stainless steel, including precision-cast blades, this equipment demonstrates exceptional acid and alkali resistance with durable construction. Featuring the same permanent magnet motor as our new energy products, it incorporates fully copper-coiled internal components paired with a high-end stabilized controller. The system achieves 30% efficiency improvement through optimized speed control, while integrated protection mechanisms provide phase loss, water shortage, and overload safeguards. Enjoy 18-month warranty, free replacement service, and personalized after-sales support – your worry-free upgrade!





◆ 型号 Model : QY80-45-7.5A/3 寸 ( inch )

电压 Voltage	重量 Weight	最大扬程 Maximum head	最大流量 Maximum (stream)flow	机身尺寸 Body size	出水口尺寸 Size of outlet
380V	32kg	45m	80m <sup>3</sup> /h	φ300×H495mm	3 寸(75mm)

整机全不锈钢 304 打造，连水叶都是 304 精铸不锈钢,所以耐酸、耐碱、耐用，新能源同款永磁电机，内置全铜线圈，搭配高端稳定控制器，速度提高效率提升 30%,缺相保护、缺水保护、过载保护多重保护，质保 18 个月，免费换新机，一对一售后服务，售后无忧!

Crafted entirely from 304 stainless steel, including precision-cast blades, this equipment demonstrates exceptional acid and alkali resistance with durable construction. Featuring the same permanent magnet motor as our new energy products, it incorporates fully copper-coiled internal components paired with a high-end stabilized controller. The system achieves 30% efficiency improvement through optimized speed control, while integrated protection mechanisms provide phase loss, water shortage, and overload safeguards. Enjoy 18-month warranty, free replacement service, and personalized after-sales support – your worry-free upgrade!





◆ 型号 Model : QY100-18-5.5A/4 寸 ( inch )

电压 Voltage	重量 Weight	最大扬程 Maximum head	最大流量 Maximum (stream)flow	机身尺寸 Body size	出水口尺寸 Size of outlet
380V	26kg	18m	100m <sup>3</sup> /h	φ245×H500 mm	4 寸(100mm)

整机全不锈钢 304 打造，连水叶都是 304 精铸不锈钢,所以耐酸、耐碱、耐用，新能源同款永磁电机，内置全铜线圈，搭配高端稳定控制器，速度提高效率提升 30%,缺相保护、缺水保护、过载保护多重保护，质保 18 个月，免费换新机，一对一售后服务，售后无忧!

Crafted entirely from 304 stainless steel, including precision-cast blades, this equipment demonstrates exceptional acid and alkali resistance with durable construction. Featuring the same permanent magnet motor as our new energy products, it incorporates fully copper-coiled internal components paired with a high-end stabilized controller. The system achieves 30% efficiency improvement through optimized speed control, while integrated protection mechanisms provide phase loss, water shortage, and overload safeguards. Enjoy 18-month warranty, free replacement service, and personalized after-sales support – your worry-free upgrade!





◆ 型号 Model : QY100-28-7.5A/4 寸 ( inch )

电压 Voltage	重量 Weight	最大扬程 Maximum head	最大流量 Maximum (stream)flow	机身尺寸 Body size	出水口尺寸 Size of outlet
380V	30.5kg	28m	100m <sup>3</sup> /h	φ245×H500 mm	4 寸(100mm)

整机全不锈钢 304 打造，连水叶都是 304 精铸不锈钢,所以耐酸、耐碱、耐用，新能源同款永磁电机，内置全铜线圈，搭配高端稳定控制器，速度提高效率提升 30%,缺相保护、缺水保护、过载保护多重保护，质保 18 个月，免费换新机，一对一售后服务，售后无忧!

Crafted entirely from 304 stainless steel, including precision-cast blades, this equipment demonstrates exceptional acid and alkali resistance with durable construction. Featuring the same permanent magnet motor as our new energy products, it incorporates fully copper-coiled internal components paired with a high-end stabilized controller. The system achieves 30% efficiency improvement through optimized speed control, while integrated protection mechanisms provide phase loss, water shortage, and overload safeguards. Enjoy 18-month warranty, free replacement service, and personalized after-sales support – your worry-free upgrade!





◆ 型号 Model : QY220-8-4A/6 寸 ( inch )

电压 Voltage	重量 Weight	最大扬程 Maximum head	最大流量 Maximum (stream)flow	机身尺寸 Body size	出水口尺寸 Size of outlet
380V	20kg	8m	220m <sup>3</sup> /h	Φ180×H430 mm	6 寸(150mm)



整机全不锈钢 304 打造，连水叶都是 304 精铸不锈钢,所以耐酸、耐碱、耐用，新能源同款永磁电机，内置全铜线圈，搭配高端稳定控制器，速度提高效率提升 30%,缺相保护、缺水保护、过载保护多重保护，质保 18 个月，免费换新机，一对一售后服务，售后无忧!

Crafted entirely from 304 stainless steel, including precision-cast blades, this equipment demonstrates exceptional acid and alkali resistance with durable construction. Featuring the same permanent magnet motor as our new energy products, it incorporates fully copper-coiled internal components paired with a high-end stabilized controller. The system achieves 30% efficiency improvement through optimized speed control, while integrated protection mechanisms provide phase loss, water shortage, and overload safeguards. Enjoy 18-month warranty, free replacement service, and personalized after-sales support – your worry-free upgrade!

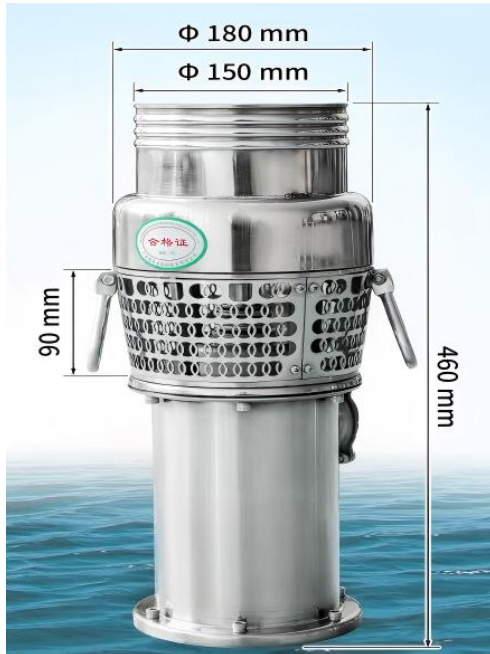




◆ 型号 Model : QY260-11-5.5A/6 寸 ( inch )

电压 Voltage	重量 Weight	最大扬程 Maximum head	最大流量 Maximum (stream)flow	机身尺寸 Body size	出水口尺寸 Size of outlet
380V	22kg	11m	260m <sup>3</sup> /h	Φ180×H460 mm	6 寸(150mm)

整机全不锈钢 304 打造，连水叶都是 304 精铸不锈钢,所以耐酸、耐碱、耐用，新能源同款永磁电机，内置全铜线圈，搭配高端稳定控制器，速度提高效率提升 30%,缺相保护、缺水保护、过载保护多重保护，质保 18 个月，免费换新机，一对一售后服务，售后无忧!



Crafted entirely from 304 stainless steel, including precision-cast blades, this equipment demonstrates exceptional acid and alkali resistance with durable construction. Featuring the same permanent magnet motor as our new energy products, it incorporates fully copper-coiled internal components paired with a high-end stabilized controller. The system achieves 30% efficiency improvement through optimized speed control, while integrated protection mechanisms provide phase loss, water shortage, and overload safeguards. Enjoy 18-month

warranty, free replacement service, and personalized after-sales support – your worry-free upgrade!





◆ 型号 Model : QY320-12-7.5A/6 寸 ( inch )

电压 Voltage	重量 Weight	最大扬程 Maximum head	最大流量 Maximum (stream)flow	机身尺寸 Body size	出水口尺寸 Size of outlet
380V	28kg	12m	320m <sup>3</sup> /h	hφ200×H480 mm	6 寸(150mm)

整机全不锈钢 304 打造，连水叶都是 304 精铸不锈钢,所以耐酸、耐碱、耐用，新能源同款永磁电机，内置全铜线圈，搭配高端稳定控制器，速度提高效率提升 30%,缺相保护、缺水保护、过载保护多重保护，质保 18 个月，免费换新机，一对一售后服务，售后无忧!



Crafted entirely from 304 stainless steel, including precision-cast blades, this equipment demonstrates exceptional acid and alkali resistance with durable construction. Featuring the same permanent magnet motor as our new energy products, it incorporates fully copper-coiled internal components paired with a high-end stabilized controller. The system achieves 30% efficiency improvement through optimized speed control, while integrated protection mechanisms provide phase loss, water shortage, and overload safeguards. Enjoy 18-month

warranty, free replacement service, and personalized after-sales support – your worry-free upgrade!

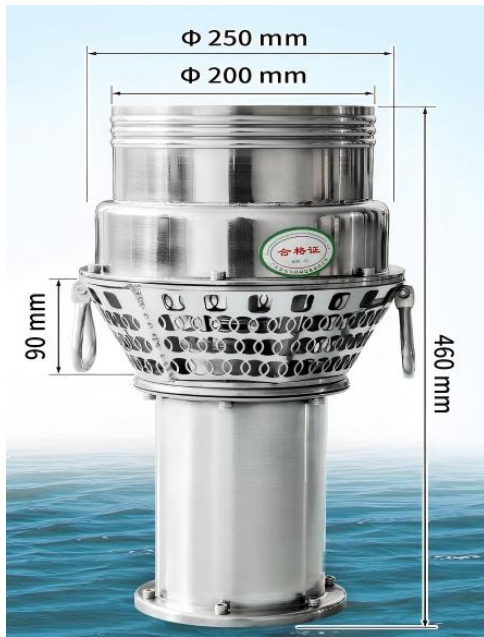




## ◆ 型号 Model : QY300-8-5.5A/8 寸 ( inch )

电压 Voltage	重量 Weight	最大扬程 Maximum head	最大流量 Maximum (stream)flow	机身尺寸 Body size	出水口尺寸 Size of outlet
380V	28kg	8m	300m <sup>3</sup> /h	φ250×H460 mm	8 寸(200mm)

整机全不锈钢 304 打造，连水叶都是 304 精铸不锈钢,所以耐酸、耐碱、耐用，新能源同款永磁电机，内置全铜线圈，搭配高端稳定控制器，速度提高效率提升 30%,缺相保护、缺水保护、过载保护多重保护，质保 18 个月，免费换新机，一对一售后服务，售后无忧!



Crafted entirely from 304 stainless steel, including precision-cast blades, this equipment demonstrates exceptional acid and alkali resistance with durable construction. Featuring the same permanent magnet motor as our new energy products, it incorporates fully copper-coiled internal components paired with a high-end stabilized controller. The system achieves 30% efficiency improvement through optimized speed control, while integrated protection mechanisms provide phase loss, water shortage, and overload safeguards. Enjoy 18-month

warranty, free replacement service, and personalized after-sales support – your worry-free upgrade!

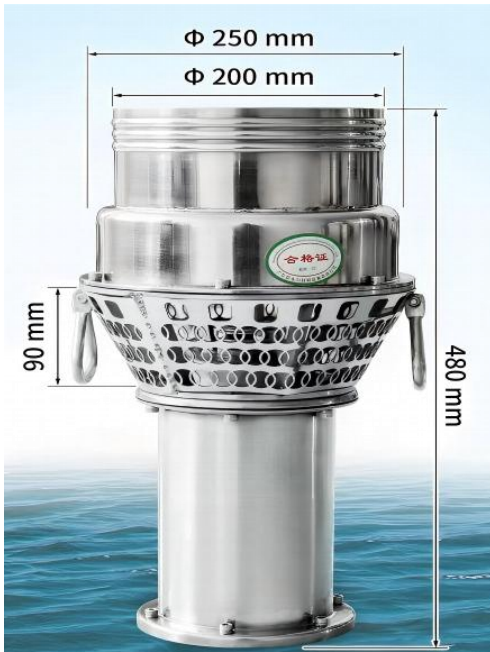




◆ 型号 Model : QY380-10-7.5A/8 寸 ( inch )

电压 Voltage	重量 Weight	最大扬程 Maximum head	最大流量 Maximum (stream)flow	机身尺寸 Body size	出水口尺寸 Size of outlet
380V	28kg	8m	300m <sup>3</sup> /h	φ250×H460 mm	8 寸(200mm)

整机全不锈钢 304 打造，连水叶都是 304 精铸不锈钢,所以耐酸、耐碱、耐用，新能源同款永磁电机，内置全铜线圈，搭配高端稳定控制器，速度提高效率提升 30%,缺相保护、缺水保护、过载保护多重保护，质保 18 个月，免费换新机，一对一售后服务，售后无忧!



Crafted entirely from 304 stainless steel, including precision-cast blades, this equipment demonstrates exceptional acid and alkali resistance with durable construction. Featuring the same permanent magnet motor as our new energy products, it incorporates fully copper-coiled internal components paired with a high-end stabilized controller. The system achieves 30% efficiency improvement through optimized speed control, while integrated protection mechanisms provide phase loss, water shortage, and overload safeguards. Enjoy 18-month

warranty, free replacement service, and personalized after-sales support – your worry-free upgrade!

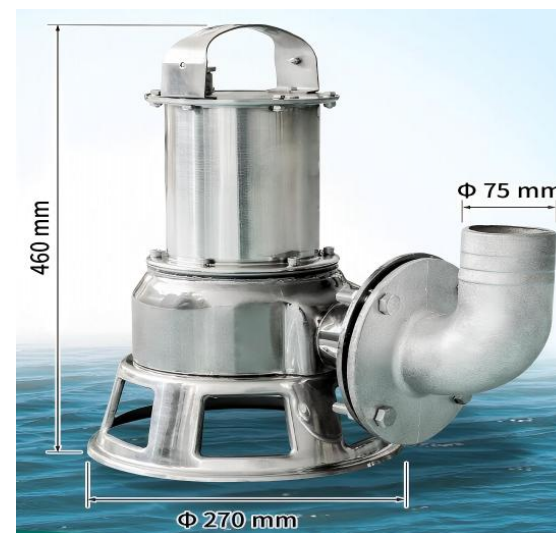


◆ 无堵塞污水泵型号：GNWQ80-10-4A/3 寸-法兰

Non-clogging sewage pump model: GNWQ80-10-4A/3-inch flange

电压 Voltage	功率 Power	最大扬程 Maximum head	最大流量 Maximum (stream)flow	机身尺寸 Body size	出水口尺寸 Size of outlet
380V	4KW	10m	80m <sup>3</sup> /h	φ270×H460mm	3 寸(75mm)

- 智能控制，不锈钢机身，一个人轻松操作。
- Intelligent control, stainless steel body, easy to operate by one person.
- 抽力强劲，带刀带切割，不易堵塞。
- Strong suction, knife and cutting, not easy to block.
- 适用于工程排污清淤，鱼塘清淤，工厂清理淤杂，咸、淡水抽排。
- Suitable for engineering sewage sludge cleaning, fish pond sludge cleaning, factory cleaning, salt and fresh water drainage.
- 整机全不锈钢 304，优质合金材质切割刀不惧大小异物，所以耐酸、耐碱、耐用，新能源同款永磁电机，内置全铜线圈，搭配高端稳定控制器，速度提高效率提升 30%
- Crafted with 304-grade stainless steel and premium alloy cutting blades that resist foreign particles of all sizes, this machine is acid and alkali resistant with exceptional durability. Powered by a permanent magnet motor identical to those in new energy systems, it features a built-in copper coil and a high-end stabilizing controller, delivering 30% faster speed and 30% higher efficiency.



◆ 无堵塞污水泵型号：GNWQ80-17-5.5A/3 寸-法兰

Non-clogging pump model: GNWQ80-17-5.5A/3 inch-flange

电压 Voltage	功率 Power	最大扬程 Maximum head	最大流量 Maximum (stream)flow	机身尺寸 Body size	出水口尺寸 Size of outlet
380V	5.5KW	17m	80m <sup>3</sup> /h	Φ270×H485mm	3 寸(75mm)

- 👑 智能控制，不锈钢机身，一个人轻松操作。
- 👑 Intelligent control, stainless steel body, easy to operate by one person.
- 👑 抽力强劲，带刀带切割，不易堵塞。
- 👑 Strong suction, knife and cutting, not easy to block.
- 👑 适用于工程排污清淤，鱼塘清淤，工厂清理淤杂，咸、淡水抽排。
- 👑 Suitable for engineering sewage sludge cleaning, fish pond sludge cleaning, factory cleaning, salt and fresh water drainage.
- 👑 整机全不锈钢 304，优质合金材质切割刀不惧大小异物，所以耐酸、耐碱、耐用，新能源同款永磁电机，内置全铜线圈，搭配高端稳定控制器，速度提高效率提升 30%
- 👑 Crafted with 304-grade stainless steel and premium alloy cutting blades that resist foreign particles of all sizes, this machine is acid and alkali resistant with exceptional durability. Powered by a permanent magnet motor identical to those in new energy systems, it features a built-in copper coil and a high-end stabilizing controller, delivering 30% faster speed and 30% higher efficiency.



## ◆ QY 系列油浸式永磁潜水泵（不锈钢）数据表

### QY Series Oil-Immersed Permanent Magnet Submersible Pump

产品 Product	型号 Model	电压 Voltage ( V )	相数 number of phases	功率 Power ( KW )	Electricity consumption per hour	Maximum flow ( m <sup>3</sup> /h )	Maximum head ( m )	Water pressure ( kg )	Maximum speed ( rpm )	Pump outlet diameter ( mm )	重量 Weight ( kg )	Air switch power ( A )	Maximum distance for flat pumping
3inch	QY80-25-4A/3 寸	380	three-phase	4	4.4	80	25	2.5	3000	75	20	16A	225
	QY80-35-5.5A/3 寸	380	three-phase	5.5	6.05	80	35	3.5	3000	75	24	32A	315
	QY80-45-7.5A/3 寸	380	three-phase	7.5	8.25	80	45	4.5	3000	75	32	32A	405
4inch	QY100-15-4A/4 寸	380	three-phase	4	4.4	100	15	1.5	3000	100	22	16A	135
	QY100-18-5.5A/4 寸	380	three-phase	5.5	6.05	100	18	1.8	3000	100	26	32A	162
	QY100-28-7.5A/4 寸	380	three-phase	7.5	8.25	100	28	2.8	3000	100	31	32A	252
6inch	QY220-8-4A/6 寸	380	three-phase	4	4.4	220	8	0.8	3000	150	20	16A	72
	QY260-11-5.5A/6 寸	380	three-phase	5.5	6.05	260	11	1.1	3000	150	22	16A	99
	QY320-12-7.5A/6 寸	380	three-phase	7.5	8.25	320	12	1.2	3000	150	28	32A	108
8inch	QY300-8-5.5A/8 寸	380	three-phase	5.5	6.05	300	8	0.8	3000	200	28	16A	72
	QY380-10-7.5A/8 寸	380	three-phase	7.5	8.25	380	10	1	3000	200	34	32A	90
4inch	QY100-35-11A/4 寸	380	three-phase	11	12.1	100	35	3.5	3000	100	41	40	350
6inch	QY460-13-11A/6 寸	380	three-phase	11	12.1	460	13	1.3	3000	150	34	40	130
	QY500-13-15A/6 寸	380	three-phase	15	16.5	500	13	1.3	3000	150	40	40	130
8inch	QY550-14-15A/8 寸	380	three-phase	15	16.5	550	14	1.4	3000	200	42	40	140

## ◆ YCQY 轻便型永磁油浸泵 YCQY Light Permanent Magnet Oil Immersion Pump

序号 Serial number	规格型号 Specifications and models	额定流量 Rated flow (m <sup>3</sup> /h)	额定扬程 Rated head (m)	额定电压 Rated voltage (V)	配管口径 Pipe diameter (inch)	额定功率 Power rating (kw)	同步转速 Synchro-speed (r/min)
1	YCQY65-9-2.2	65	9	380	4	2.2	3000-3300
2	YCQY65-12-3	65	12	380	4	3	3000-3300
3	YCQY65-16-4	65	16	380	4	4	3000-3300
4	YCQY65-18-5.5	65	18	380	4	5.5	3000-3300
5	YCQY80-6-2.2	80	6	380	4	2.2	3000-3300
6	YCQY80-10-3	80	10	380	4	3	3000-3300
7	YCQY80-14-4	80	14	380	4	4	3000-3300
8	YCQY80-16-5.5	80	16	380	4	5.5	3000-3300
9	YCQY100-6-3	100	6	380	4	3	3000-3300
10	YCQY100-10-4	100	10	380	4	4	3000-3300
11	YCQY100-14-5.5	100	14	380	4	5.5	3000-3300
12	YCQY150-6-3	150	6	380	6	3	3000-3300
13	YCQY150-8-4	150	8	380	6	4	3000-3300
14	YCQY150-10-5.5	150	10	380	6	5.5	3000-3300
15	YCQY200-6-4	200	6	380	6	4	3000-3300
16	YCQY200-8-5.5	200	8	380	6	5.5	3000-3300
17	YCQY200-10-7.5	200	10	380	6	7.5	3000-3300
18	YCQY260-6-5.5	260	6	380	8	5.5	3000-3300



19	YCQY260-8-7.5	260	8	380	8	7.5	3000-3300
20	YCQY300-6-7.5	300	6	380	8	7.5	3000-3300
21	YCQY300-10-11	300	10	380	8	11	3000-3300



4inch



6inch

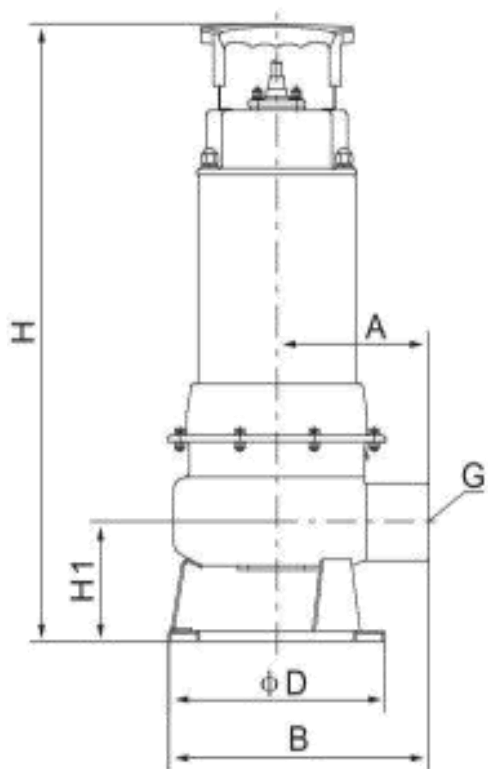


8inch



## ◆ GB 系列污水泵数据表 GB Series Sewage Pump Data Sheet

产品 Product	商品名称 Name of commodity	Voltage (V)	number of phases	Power (KW)	Maximum flow (m <sup>3</sup> /h)	Maximum head (m)	Pump outlet diameter (mm)	Maximum speed (rpm)	rough weight (kg)	Pump original line (square)	Maximum distance for flat pumping	外形尺寸 Outline dimension
2inch	1.5KW/220V/2寸	220	single phase	1.5	32	13.5	G2 (50)	2850	18.9	1.5	135	550*260*265mm
	2.2KW/220V/2寸	220	single phase	2.2	38	16.5	G2 (50)	2850	22.0	1.5	165	580*260*265mm



型号 Model	外形尺寸 Outline dimension					
	A	B	D	H	H1	G
GB1.0KW/220V	124	209	φ170	462	85	G1.5
GB1.5KW/220V	133	228	φ190	505	96	G2
GB1.5KW/380V	133	228	φ190	487	96	G2
GB2.2KW/220V	133	228	φ190	533	96	G2
GB2.2KW/380V	133	228	φ190	505	96	G2

A 水泵中心位到出水口的距离 Represents the distance from the pump center to the outlet

B 水泵最大宽度 Maximum pump width

D 水泵底座直径 Pump base diameter

H 水泵整体高度 Pump overall height

H1 水泵水叶到泵底的距离 Distance from the water pump blade to the pump bottom

G 出水口直径 Outlet diameter