

WQ(JY)

50H

污水潜水泵 Sewage submersible pump



辰禹流体（重庆）有限公司

Chen Yu Fluid (Chongqing) Co., LTD

# 目录 Catalogue

产品概述 Product overview .....	1
产品特点 Product features .....	1
适用范围 Scope of application .....	2
使用条件 Working conditions .....	2
技术说明 Technical description .....	3
安装方式 Way to install .....	6
耦合安装尺寸图 Coupled installation dimensions .....	8
耦合部件尺寸表 Coupling component size table (unit: mm) .....	9
泵外形及移动式安装尺寸图 Pump shape and mobile installation size diagram .....	9
WQ(JY)污水潜水泵技术参数及尺寸表 Technical parameters and size table of WQ (JY) sewage submersible pump .....	11
WQA(JY)污水潜水泵技术参数及尺寸表 Technical parameters and size table of WQA (JY) sewage submersible pump .....	14

## ● 产品概述 Product overview

为了使 WQ(JY)、WQA(JY) 系列污水潜水泵以更好的可靠性、更高的机组效率服务于客户，在总结 25 年生产制造该系列泵的经验积累的基础上，再一次更新优化水力模型，创新机械密封、轴承结构，采用优质电机材料，保证可靠性。WQ(JY) 系列 108 型号，WQA(JY) 系列 165 个型号，两个系列互相为补充，通过使用原型叶轮和改型叶轮及其切割，在型谱性能范围内，可提供恰当满足用户所需要的任意流量、扬程工作点的水泵。(产品执行标准 GB/T24674-2009。)

To enhance the reliability and operational efficiency of WQ (JY) and WQA (JY) series sewage submersible pumps, we have upgraded the hydraulic model based on 25 years of manufacturing experience. This innovation includes advanced mechanical seals, optimized bearing structures, and premium motor materials to ensure exceptional performance. The WQ (JY) Series 108 and WQA (JY) Series 165 models complement each other through prototype impeller designs and modified impeller configurations. Within their respective performance ranges, these pumps can deliver tailored solutions for various flow rates and head requirements, meeting diverse user needs.(Product implementation standard GB/T24674-2009.)

## ● 产品特点 Product features

- 1、双流道叶轮污物通过性好，多叶片流道叶轮节能，水力效率高；
- 2、泵组结构紧凑，轴伸短，减少振动和噪音，延长机封和轴承的寿命；
- 3、电缆是耐油污水和机械性能优良的重型胶套软电缆，能在环境温度 40℃ 时长期连续工作；
- 4、水密电缆防止意外漏水造成电机腔进水；泵端电缆妥当固定，防止对电机上盖电缆引出线密封装置的拉拽；
- 5、潜水泵专用高性能鼠笼式感应电动机，防护等级 IP68、B 或 F、H 级绝缘，每相绕组有过热、过流保护元件；
- 6、机组独特冷却系统，使泵在露出液面或干式安装时能安全可靠运行 (15kW 及以下泵无冷却系统)，最大程度排送污水；泵侧机械密封碳化硅对碳化硅摩擦副，耐高温、耐冲击、耐磨损，电机侧碳化硅石墨摩擦副，摩擦力小；
- 7、终身润滑免维护的滚动轴承能承受所有的轴向力和径向力，并完全与泵送介质分开。

1. Dual-flow impeller ensures excellent dirt passage, with multi-blade channels

delivering energy efficiency and high hydraulic performance;

2. Compact pump structure featuring short shaft extension reduces vibration and noise while extending the service life of mechanical seals and bearings;

3. The cable employs heavy-duty rubber-sheathed flexible cables with excellent oil-resistant wastewater and mechanical properties, capable of continuous operation at ambient temperatures up to 40°C °C;

4. Water-tight cables prevent accidental water ingress into motor chambers, while pump-end cables are securely fastened to avoid pulling on the motor's upper cover cable seal device;

5. Submersible pumps utilize high-performance squirrel-cage induction motors with IP68 protection ratings, B or F/H insulation, and overheat/overcurrent protection components for each phase winding;

6. Unique cooling system ensures safe and reliable operation for pumps installed above water level (pumps under 15kW without cooling systems), maximizing sewage discharge efficiency; Silicon carbide mechanical seals on pump side provide high-temperature resistance, impact tolerance, and wear resistance for silicon carbide friction pairs, while motor-side silicon carbide-graphite friction pairs ensure low friction;

7. Lifetime lubrication-free rolling bearings withstand all axial and radial forces while completely decoupling from the pumped medium.

## ● 适用范围 Scope of application

主要用于市政工程、楼宇建筑、医院、宾馆、饭店、工业排污和污水处理等行业，用于输送带固体颗粒及长纤维的废水、污水、雨水，还包括原水的输送、水产养殖、灌溉等。

Mainly used in municipal engineering, building construction, hospital, hotel, restaurant, industrial sewage and sewage treatment industries, for the convey of solid particles and long fibers of wastewater, sewage, rainwater, including raw water convey, aquaculture, irrigation, etc.

## ● 使用条件 Working conditions

1、介质温度不超过 40°C, 介质中固相物容积比小于 2%, 介质 PH=4-10;

2、最低运行液位：见安装尺寸图中的▽(无电机冷却系统),有电机冷却系统时,水位只要保证泵能正常输水;

3、泵的主要零件材料为铸铁或球墨铸铁;

4、介质中固形物最大颗粒直径小于性能参数表 d 数值, 介质中纤维的长度小于泵的排出口直径。

1. The medium temperature shall not exceed 40°C, with the solid phase content in the medium being less than 2% and the pH value maintained between 4-10;

2. Minimum operating water level: Refer to ▽ in the installation dimensions diagram (for systems without motor cooling). For systems with motor cooling, the water level should ensure normal pump operation;

3. Major pump components shall be made of cast iron or ductile iron;

4. The maximum particle diameter of solid matter in the medium must be smaller than the d value specified in the performance parameters table, and the fiber length in the medium must be shorter than the pump's discharge outlet diameter.

## ● 技术说明 Technical description

1、产品型号标示意义 Significance of product model marking:

350 WQ(A)1100-10-45/JY 6P-Z(Y、R、G、P)-K

350-----排出口径(mm) Ejection port diameter (mm)

WQ(A)-----污水潜水泵(WQ/WQA) Sewage submersible pump (WQ/WQA)

1100-----流量(m<sup>3</sup>/h) Rate of flow (m<sup>3</sup>/h)

10-----扬程(m) Head of delivery(m)

45-----电机功率(kW) Motor power (kW)

JY-----搅匀功能 Homogenization function

6P-----电机极数 Number of poles in the motor

Z(Y、R、G、P)-----安装方式 Installation method

Z:自动耦合式安装 Z: Auto-coupled installation

Y:移动式硬管安装 Y: Mobile rigid pipe installation

R:移动式软管安装 R: Mobile hose installation

G:固定式干式安装 G: Fixed dry installation

P:固定式底座安装 P: Fixed base installation

K-----不标该字母时表示电机绕组接线腔内△接法;标K时表示电机绕组6条线直接引出。

If the letter is not marked, it indicates that the motor winding is connected in  $\Delta$ ; if K is marked, it indicates that the 6 lines of the motor winding are directly led out.

2、潜污泵电机的额定电压是 380V, 额定频率 50Hz;

①可以生产功率在 0.55~2.2kW 的单相 220V 潜水污水泵;

②根据客户需要电泵机组频率可定做 60Hz;

③三相电压在 690V 以下的电泵机组都可制造。

2. The rated voltage of the submersible pump motor is 380V and the rated frequency is 50Hz;

① Single-phase 220V submersible sewage pumps with power up to 0.55~2.2kW can be produced;

② The frequency of the electric pump unit can be customized to 60Hz according to customer needs;

③ Electric pump units with three-phase voltage below 690V can be manufactured.

3、电机绕组引接线的接法及启动方式:

①3kW 及以下电机绕组用 Y 形接线法, 直接启动;

②4~11kW、132kW 及以上电机绕组 $\Delta$ 接线法, 4kW~11kW 直接启动; 132kW 及以上直接启动、自耦降压启动或外接法电子软启动器启动;

③15~110kW 电机绕组 6 根线直接引出时按 Y- $\Delta$  启动或内接法电子软启动器启动; 按 $\Delta$ 接法时自耦降压启动或电子软启动器启动;

④0.55~2.2kW220V 单相电泵有电容运行、双电容+离心开关启动。

3. Connection Methods and Starting Methods for Motor Winding Leads:

① For motors under 3kW, use Y-wire connection method with direct starting;

② For motors 4-11kW and 132kW and above, use  $\Delta$ -wire connection method: 4-11kW motors directly started; 132kW and above motors start directly, through autotransformer voltage reduction, or with external electronic soft starters;

③ For 15-110kW motors with six lead wires directly connected, use Y- $\Delta$  connection method for direct starting or internal connection method with electronic soft starters; when using  $\Delta$ -wire connection method, start via autotransformer voltage reduction or electronic soft starters;

④0.55~2.2kW220V Single-phase electric pumps can operate with capacitors or dual capacitors + centrifugal switch starting.

4、潜水污水泵内装有保护电机的各种保护装置，其电控柜必须与这些保护装置配套，电控柜还应配有液位控制的浮球开关，所以潜水污水泵的电控柜具有专用性；

①3 千瓦及以下电泵每相绕组有过热、过流保护元件，配置自动复位热敏开关自动启停机组，配合空气开关，也可以根据客户要求配置；

②电泵配有漏水、油水常开探头，每相绕组预埋测温元件 PTC， 根据客户要求提供；

③电泵下轴承配置测温元件 PT100, 根据客户要求提供。

4. The submersible sewage pump is equipped with various protection devices for the motor, and its electrical control cabinet must be matched with these protection devices. The electrical control cabinet should also be equipped with a float switch for liquid level control, so the electrical control cabinet of the submersible sewage pump is dedicated;

① Electric pumps with 3 kW or less are equipped with overheat and overcurrent protection components for each phase winding. Automatic reset thermal switches are configured to automatically start/stop the units, which can be combined with air switches or customized according to customer requirements.

② The pumps are fitted with water leakage detection probes and oil-water permanent open probes. Each phase winding is pre-installed with PTC temperature sensors, which can be provided as required by customers.

③ The lower bearings of the pumps are equipped with PTC temperature sensors, which can be supplied based on customer specifications.

5、电机是否带冷却系统对应不同的最低液位高度值；液位浮球开关是电控柜置于自动挡时使用的；启停泵液位差较大、对主泵或大泵用两只浮球开关控制启停液位；对小泵或超高液位增开的备泵，用一个浮球开关控制启停液位；

5. The motor's cooling system corresponds to different minimum liquid level height values. The liquid level float switch is used when the electrical control cabinet is set to automatic mode. For pumps with significant start-stop liquid level differences, two float switches are used to control the start/stop levels for main

pumps or large pumps. For small pumps or those requiring ultra-high liquid levels, an additional float switch is added to control the start/stop levels.

6、电控柜较远时可设置端子箱，需设置穿线管(用户自备)时按电缆外径确定穿线管内径；

6. Terminal boxes can be set when the electric control cabinet is far away. When wire tubes are required (provided by users), the inner diameter of wire tubes shall be determined according to the outer diameter of cables;

7、从泵吸入口看，叶轮为逆时针方向旋转；

7. From the pump suction inlet, the impeller rotates in a counterclockwise direction;

8、耦合座出口法兰标准按 GB17241.6, 公称压力为口径 $\leq 250$  的 PN6、口径 $\geq 300$  的 PN10, 不锈钢耦合座出口法兰均为 PN10, 锥管和弯管按照客户要求。

8. The coupling seat outlet flange standard is GB17241.6, with a nominal pressure of PN6 for the diameter  $\leq 250$  and PN10 for the diameter  $\geq 300$ . The stainless steel coupling seat outlet flange is PN10, and the conical pipe and bent pipe are according to customer requirements.

## ● 安装方式 Way to install

一、自动耦合式安装 (Z): 耦合装置包括导杆、导杆架、出水管座和耦合架，连接泵和管道，不用紧固件，使泵和管道的联接和脱开变得简单容易；相同排出口径的泵可以使用相同的耦合装置。图一

二、固定式干式安装 (G): 泵房和集水池是分开的，电机须有冷却系统，若泵房被淹，泵正常运行。图二

三、固定式底座安装 (P): 泵运行后维修不便，如果管道有足够的刚性，可以不装地脚螺栓。图三

四、移动式安装 (Y、R): 用于急救或维修、施工的需要，以底座支承接软管或硬管即可运行，也可以用足够刚性的排水管路把泵悬挂起来使用。图四

I. Automatic Coupled Installation (Z): The coupling device consists of guide rods, rod brackets, outlet pipe seats, and coupling frames, connecting pumps and pipelines without fasteners, simplifying the connection and disconnection of pumps and pipelines. Pumps with identical discharge diameters can use the same coupling device.

II. Fixed Dry Installation (G): The pump house and collection pool are separate, requiring a cooling system for the motor. If the pump house is flooded, the pump can still operate normally. Figure 2

III. Fixed Base Installation (P): Maintenance becomes inconvenient after pump operation. If the pipeline has sufficient rigidity, base bolts may be omitted. Figure 3

IV. Mobile Installation (Y, R): Designed for emergency rescue, maintenance, or construction needs. It can operate by simply supporting flexible or rigid pipes with a base, or by suspending the pump using sufficiently rigid drainage pipelines. Figure 4

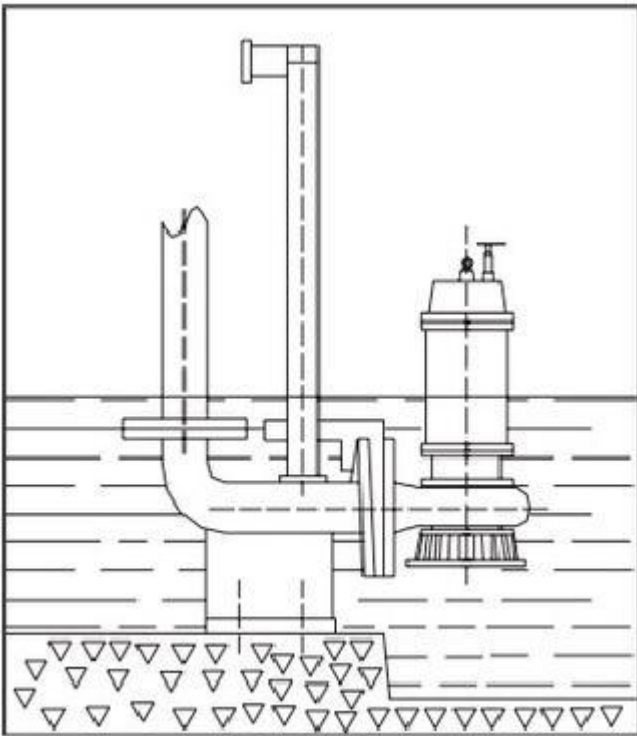


Figure 1

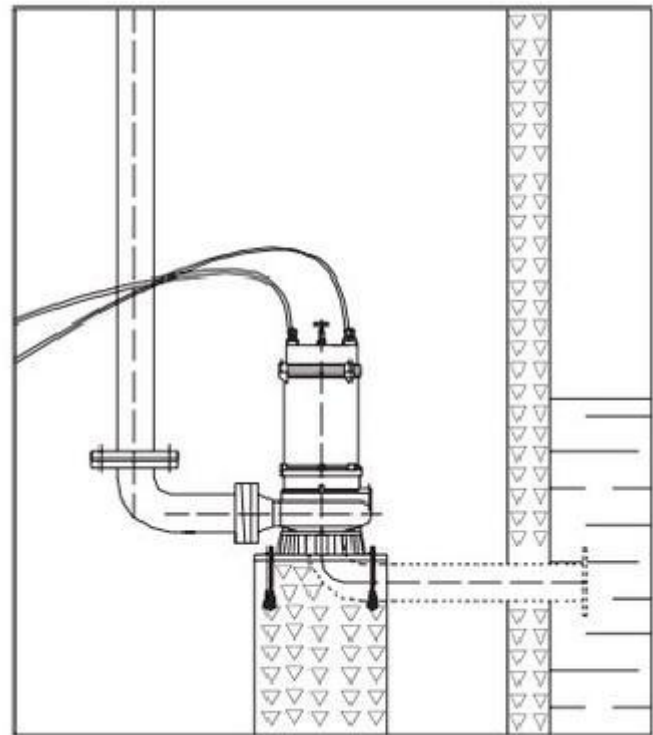


Figure 2

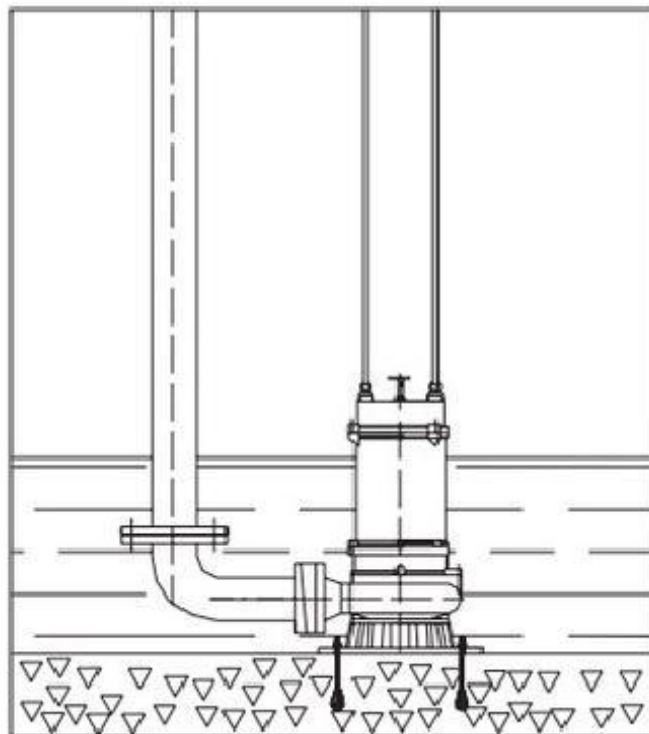


Figure 3

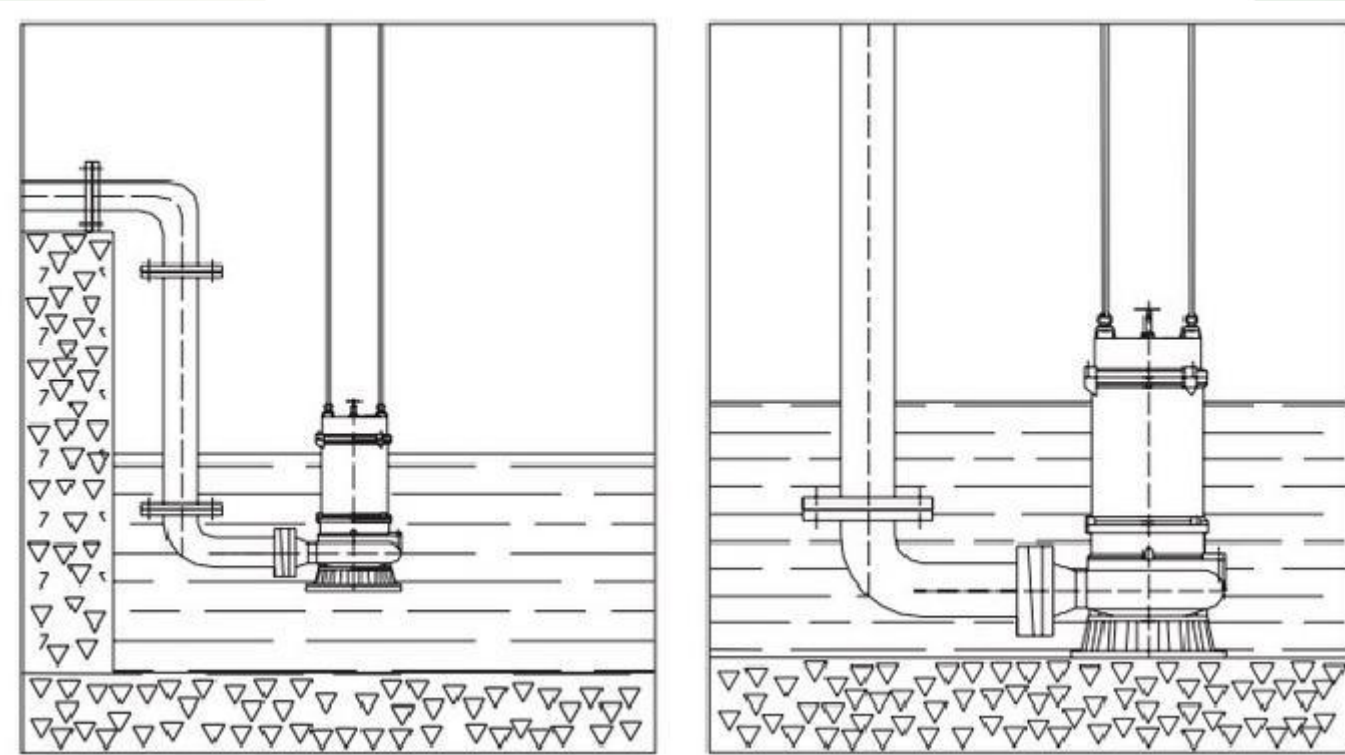
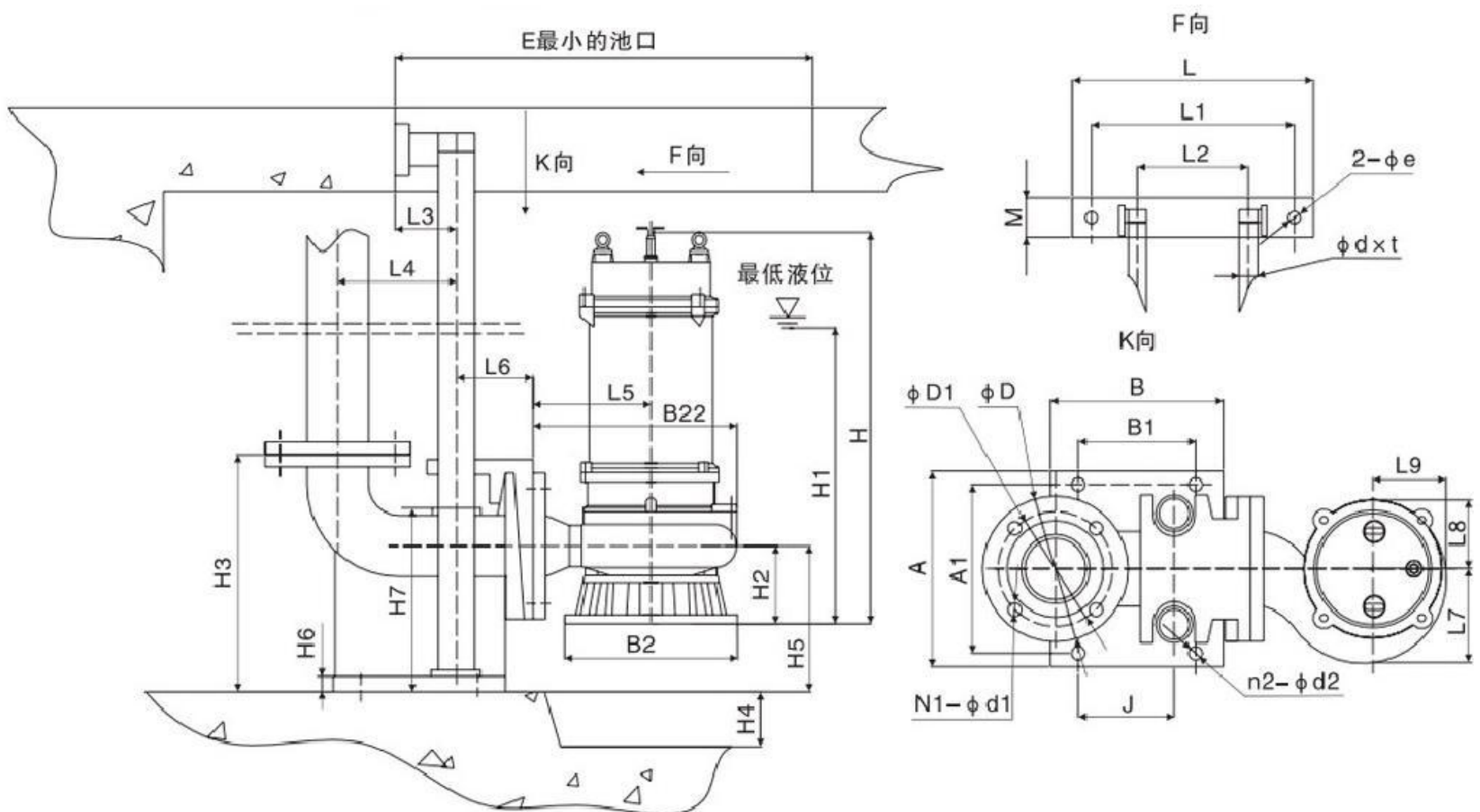


Figure 4

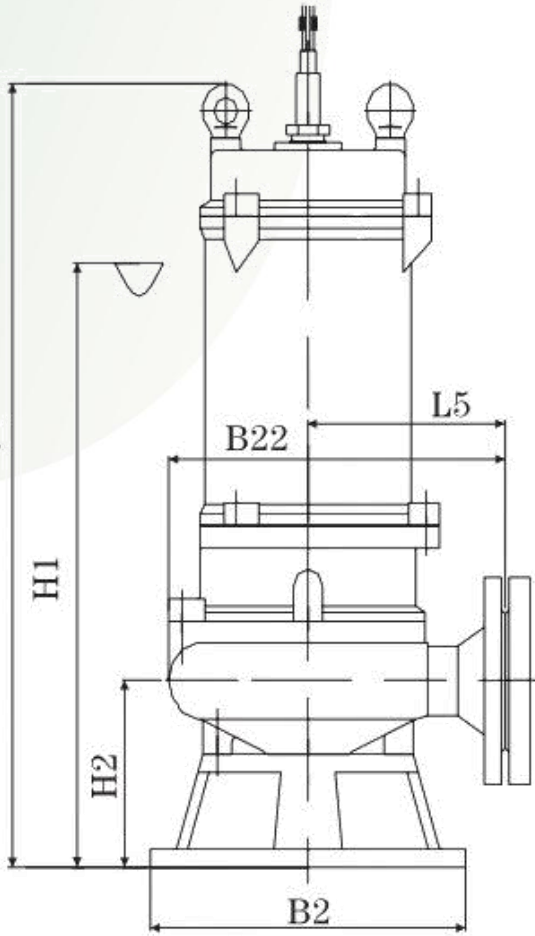
● 耦合安装尺寸图 Coupled installation dimensions



● 耦合部件尺寸表 Coupling component size table (unit: mm)

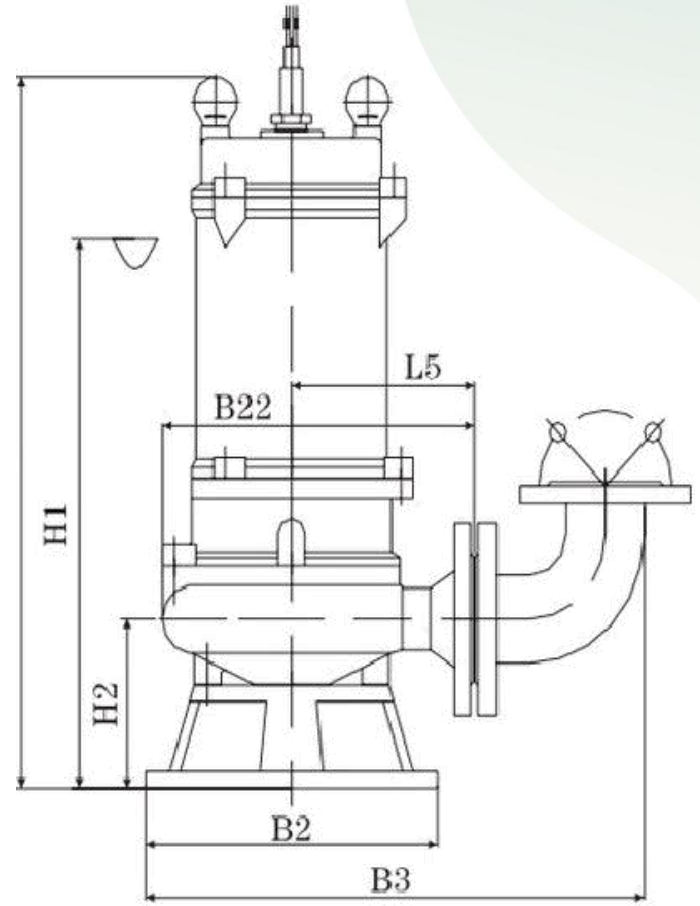
number	model	Flange connection dimensions			Coupling base size						H3	H4	H5	H6	H7	L	L1	L2	M	φ e	L3	L4	L6	φ d×t
		D	D1	N1- φ d1	A	A1	B	B1	J	n2- φ d2														
1	40WQ	130	100	4- φ 14	108	65	138	68	68	4- φ 14	195	100	120	14	150	225	185	70	35	φ 14	65	125	85	φ 33×3
2	50WQ	140	110	4- φ 14	197	168	208	130	120	4- φ 18	250	100	165	14	/	265	215	110	42	φ 14	66	135	90	φ 33×3
3	65WQ	160	130	4- φ 14	238	190	252	155	135	4- φ 18	265	100	170	16	/	280	235	125	50	φ 14	70	185	85	φ 33×3
4	80WQ	190	150	4- φ 19	255	220	225	153	125	4- φ 18	310	100	190	16	/	315	265	145	53	φ 14	80	155	100	φ 33×3
5	100wQ	210	170	4- φ 19	293	265	258	175	140	4- φ 18	350	100	235	18	/	365	305	170	55	φ 15	100	200	110	φ 48×3
6	150WQ	265	225	8- φ 19	400	285	410	300	210	4- φ 25	485	150	300	22	390	410	260	285	60	φ 15	100	290	190	φ 48×3
7	200wQ	320	280	8- φ 19	400	300	445	350	250	4- φ 25	550	200	325	22	440	410	260	285	60	φ 15	100	330	215	φ 48×3
8	250WQ	375	335	12- φ 19	460	360	555	430	325	4- φ 25	635	200	310	24	450	410	260	285	60	φ 15	100	395	225	φ 48×3
9	300WQ	445	400	12- φ 23	550	415	570	410	345	4- φ 25	740	200	400	30	570	480	305	340	65	φ 16	110	395	225	φ 60×3
10	350WQ	505	460	16- φ 23	580	420	615	400	350	4- φ 25	860	200	490	33	680	500	320	360	65	φ 16	115	435	230	φ 60×3
11	400WQ	565	515	16- φ 28	630	490	665	510	440	4- φ 25	960	200	560	36	775	500	320	360	65	φ 16	115	420	295	φ 60×3
12	500WQ	670	620	20- φ 28	732	570	752	550	475	4- φ 40	1160	200	655	38	900	750	660	460	130	φ 22	115	565	250	φ 78×4
13	600WQ	780	725	20- φ 31	830	720	850	700	590	4- φ 46	1320	400	710	40	1020	830	740	560	160	φ 22	115	660	275	φ 78×4

● 泵外形及移动式安装尺寸图 Pump shape and mobile installation size diagram



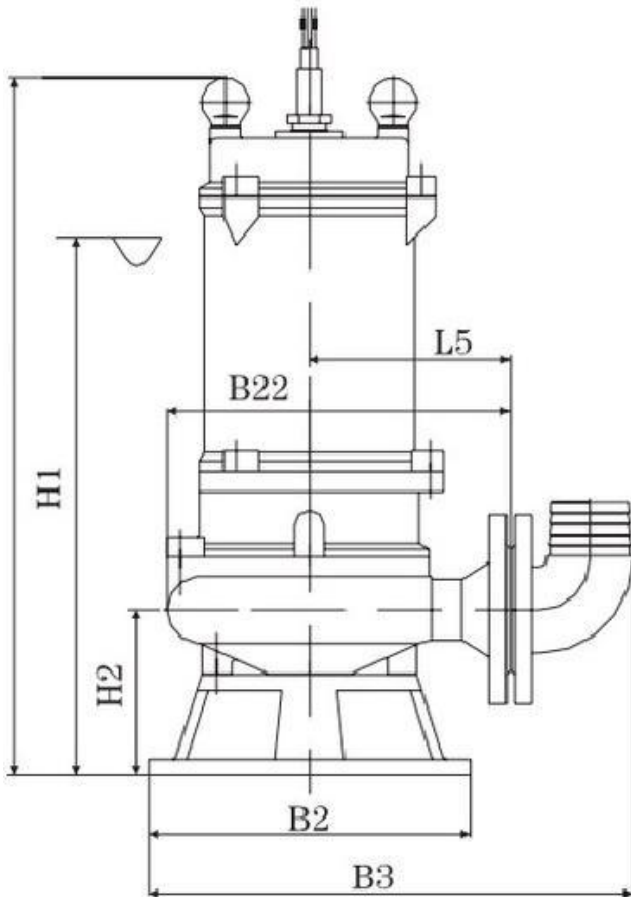
泵外形尺寸图

Pump exterior dimensions diagram



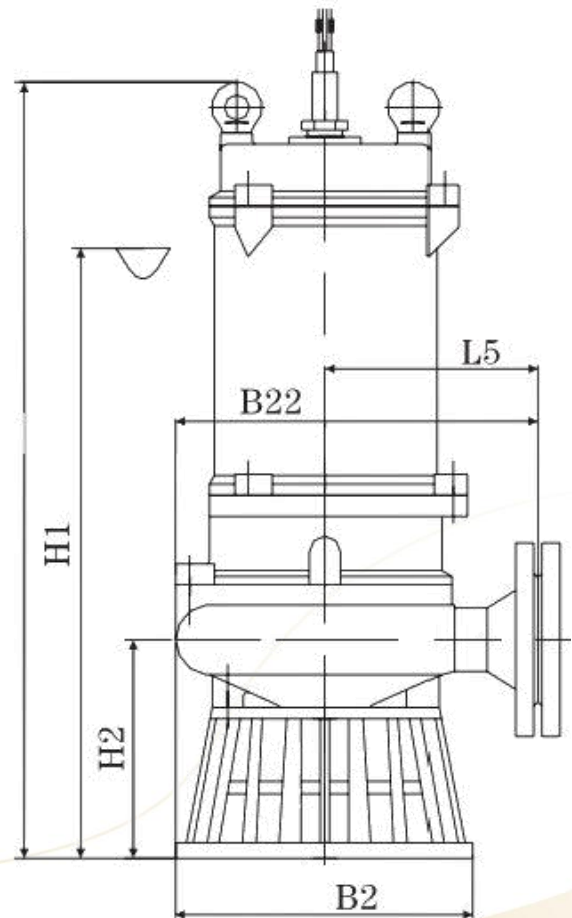
硬管(配双头法兰弯管)移动式安装

The rigid pipe (with double head flanged bend pipe) is installed in a mobile manner



软管移动式安装

Flexible tube mobile installation



搅匀泵移动式安装

The mixing pump is installed in a mobile manner

● WQ(JY)污水潜水泵技术参数及尺寸表 Technical parameters and size table of WQ (JY) sewage submersible pump

number	specifications and models	outlet diameter	流量 Q	扬程 H	转速 n	电机功率 P	电机效率 $\eta$	电机功率因数	电机额定电流	d	外形尺寸 (mm) External dimensions (mm)							泵重量 weight
		(mm)	(m <sup>3</sup> h)	(m)	(r/min)	(kW)	(%)	$\cos \phi$	(A)	(mm)	H	H1	B2	B3	B22	L5	H2	(kg)
1	40WQ10-10-0.75	40	10	10	2950	0.75	67	0.83	1.83	10	450	380	190	320	235	140	100	23/26
2	40WQ7-15-1.1	40	7	15	2950	1.1	70	0.85	2.60	10	490	380	190	320	235	140	100	25
3	40WQ15-8-1.1	40	15	8	2950	1.1	70	0.85	2.60	10	490	380	190	320	235	140	100	25
4	40WQ12-15-1.5/JY	40	12	15	2950	1.5	73	0.84	3.50	15	490	420	190	360	270	140	120	29
5	50WQ10-7-0.55	50	10	7	2950	0.55	67	0.83	1.33	10	450	380	190	320	235	140	110	23/26
6	50WQ10-10-0.75	50	10	10	2950	0.75	67	0.83	1.83	10	450	380	190	320	235	140	110	23/26
7	50WQ7-15-1.1(非法 兰)	50	7	15	2950	1.1	70	0.85	2.60	10	490	380	190	320	235	140	110	25
8	50WQ7-15-1.1	50	7	15	2950	1.1	70	0.85	2.60	10	490	380	190	320	235	140	110	25
9	50WQ15-8-1.1	50	15	8	2950	1.1	70	0.85	2.60	10	490	380	190	320	235	140	110	25
10	50WQ10-15-1.5/JY	50	10	15	2950	1.5	73	0.84	3.50	15	520	415	220	370	280	150	120	31
11	50WQ15-10-1.5/JY	50	15	10	2950	1.5	73	0.84	3.50	15	520	415	220	370	280	150	120	31
12	65WQ25-8-1.5/JY	65	25	8	2950	1.5	73	0.84	3.50	30	525/ (568)	455/ (498)	220	395	280	160	125/ (168)	38
13	50WQ9-22-2.2/JY	50	9	22	2950	2.2	75	0.85	4.90	10	520	450	220	370	270	150	125	37
14	50WQ25-10-2.2/JY	50	25	10	2950	2.2	75	0.85	4.90	10	520	450	220	370	270	150	125	37
15	65WQ35-7-2.2/JY	65	35	7	2950	2.2	75	0.85	4.90	30	525/ (568)	455/ (498)	220	395	280	160	(288)	38
16	80WQ40-10-2.2/JY	80	40	10	2950	2.2	75	0.85	4.90	30	540/ (583)	450/ (493)	220	415	285	165	125/ (168)	41
17	100WQ50-7-2.2/JY	100	50	7	2950	2.2	75	0.85	4.90	35	542/ (583)	472/ (513)	220	460	300	180	140/ (181)	41
18	50WQ15-30-3/JY	50	15	30	2950	3	77	0.87	6.40	25	550/ (593)	480/ (523)	240	380	300	180	125/ (168)	43
19	50WQ20-25-3/JY	50	20	25	2950	3	77	0.87	6.40	25	550/ (593)	480/ (523)	240	380	300	180	125/ (168)	43
20	65WQ35-10-3/JY	65	35	10	2950	3	77	0.87	6.40	30	545/ (588)	475/ (518)	240	395	280	160	125/ (168)	42
21	80WQ40-12-3/JY	80	40	12	2950	3	77	0.87	6.40	30	540/ (583)	470/ (513)	240	415	300	180	125/ (168)	43
22	100WQ60-9-3/JY	100	60	9	2950	3	77	0.87	6.40	35	562/ (605)	492/ (535)	240	460	300	180	140/ (183)	62
23	50WQ15-35-4/JY	50	15	35	2950	4	78	0.87	8.10	25	580/ (615)	500/ (535)	280	395	295	170	132/ (167)	61
24	50WQ25-22-4/JY	50	25	22	2950	4	78	0.87	8.10	25	580/ (615)	500/ (535)	280	395	295	170	132/ (167)	61
25	65WQ20-25-4/JY	65	20	25	2950	4	78	0.87	8.10	30	580/ (615)	500/ (535)	280	430	315	180	132/ (167)	60
26	80WQ40-15-4/JY	80	40	15	2950	4	78	0.88	8.10	30	600/ (635)	520/ (555)	280	440	315	180	140/ (175)	61
27	80WQ60-12-4/JY	80	60	12	2950	4	78	0.88	8.10	30	600/ (635)	520/ (555)	280	440	315	180	140/ (175)	61
28	100WQ80-8-4/JY	100	80	8	2950	4	78	0.87	8.10	35	600/ (635)	520/ (555)	280	475	315	190	140/ (183)	62

29	50WQ15-40-5.5/JY	50	15	40	2950	5.5	81	0.88	11.00	30	600/ (635)	520/ (555)	280	410	310	185	132/ (167)	68
30	50WQ25-25-5.5/JY	50	25	25	2950	5.5	81	0.88	11.00	30	600/ (635)	520/ (555)	280	410	310	185	132/ (167)	68
31	65WQ30-30-5.5/JY	65	30	30	2950	5.5	81	0.88	11.00	30	605/ (640)	525/ (560)	280	410	315	180	132/ (167)	65
32	80WQ40-22-5.5/JY	80	40	22	2950	5.5	81	0.88	11.00	30	625/ (660)	545/ (580)	280	440	315	185	140/ (175)	74
33	80WQ65-15-5.5/JY	80	65	15	2950	5.5	81	0.88	11.00	30	625/ (660)	545/ (580)	280	440	315	185	140/ (175)	74
34	80WQ85-10-5.5/JY	80	85	10	2950	5.5	81	0.88	11.00	30	625/ (660)	545/ (580)	280	440	315	185	140/ (175)	74
35	100WQ65-15-5.5/JY	100	65	15	2950	5.5	81	0.88	11.00	35	625/ (660)	545/ (580)	280	475	315	195	214%	74
36	100WQ85-10-5.5/JY	100	85	10	2950	5.5	81	0.88	11.00	35	625/ (660)	545/ (580)	280	475	315	195	140/ (175)	74
37	150WQ100-7-5.5/JY	150	100	7	2950	5.5	81	0.88	11.00	45	720/ (755)	560/ (595)	280	540	330	195	145/ (180)	83
38	50WQ20-40-7.5/JY	50	20	40	2950	7.5	82	0.88	15.00	25	690/ (745)	590/ (645)	330	445	345	185	140/ (195)	95
39	50WQ30-32-7.5/JY	50	30	32	2950	7.5	82	0.88	15.00	25	690/ (745)	590/ (645)	330	445	345	185	140/ (195)	95
40	65WQ25-35-7.5/JY	65	25	35	2950	7.5	82	0.88	15.00	25	690/ (745)	590/ (645)	330	470	355	185	140/ (195)	73
41	80WQ45-25-7.5/JY	80	45	25	2950	7.5	82	0.88	15.00	30	710/ (765)	610/ (665)	330	510	365	205	146/ (201)	100
42	80WQ65-20-7.5/JY	80	65	20	2950	7.5	82	0.88	15.00	30	710/ (765)	610/ (665)	330	510	365	205	146/ (201)	100
43	100WQ80-15-7.5/JY	100	80	15	2950	7.5	82	0.88	15.00	35	(768)	610/ (665)	330	525	365	205	151/ (206)	103
44	100WQ45-25-7.5/JY	100	45	25	2950	7.5	82	0.88	15.00	35	710/ (765)	610/ (665)	330	525	365	205	151/ (206)	103
45	150WQ100-12-7.5/JY	150	100	12	2950	7.5	83	0.88	15.00	45	800	630	330	575	365	200	180	108
46	150WQ135-10-7.5/JY	150	135	10	1475	7.5	82	0.85	16.00	45	855	685	330	575	520	300	235	143
47	65WQ20-56-11/JY	65	20	56	2950	11	83	0.89	22.00	25	850/ (905)	780/ (835)	330	500	365	195	185/ (240)	148
48	80WQ40-45-11/JY	80	40	45	2950	11	83	0.88	22.00	30	850/ (905)	780/ (835)	330	500	365	195	185/ (240)	153
49	100WQ80-25-11/JY	100	80	25	1475	11	83	0.85	23.00	35	910/ (965)	710/ (765)	420	700	540	325	210/ (265)	212
50	150WQ 130-15-11/JY	150	130	15	1475	11	83	0.85	23.00	45	950/ (1005)	750/ (805)	420	770	560	350	240/ (295)	220
51	150WQ200-10-11/JY	150	200	10	1475	11	83	0.85	23.00	45	950/ (1005)	750/ (805)	420	770	560	350	240/ (295)	220
52	200WQ300-7-11/JY	200	300	7	1475	11	83	0.85	23.00	55	960/ (1015)	760/ (815)	420	870	580	355	240/ (295)	230
53	100WQ80-30-15/JY	100	80	30	1475	15	84	0.85	30.00	35	950/ (1005)	750/ (805)	420	700	540	325	210/ (265)	239
54	100WQ100-22-15/JY	100	100	22	1475	15	84	0.85	30.00	35	950/ (1005)	750/ (805)	420	700	540	325	210/ (265)	239
55	150WQ130-20-15/JY	150	130	20	1475	15	84	0.85	30.00	45	990/ (1045)	790/ (845)	420	770	560	350	240/ (295)	242
56	150WQ150-18-15/JY	150	150	18	1475	15	84	0.85	30.00	45	990/ (1045)	790/ (845)	420	770	560	350	240/ (295)	242
57	150WQ200-15-15/JY	150	200	15	1475	15	84	0.85	30.00	45	990/ (1045)	790/ (845)	420	770	560	350	240/ (295)	242
58	200WQ250-12-15/JY	200	250	12	1475	15	84	0.85	30.00	55	1000/ (1055)	800/ (855)	420	870	580	355	240/ (295)	257

59	100WQ80-35-18.5/JY	100	80	35	1475	18.5	85	0.85	36.00	35	1060/ (1115)	850/ (905)	420	710	550	325	210/ (265)	285
60	100WQ100-30-18.5/JY	100	100	30	1475	18.5	85	0.85	36.00	35	1060/ (1115)	850/ (905)	420	710	550	325	210/ (265)	285
61	150WQ150-22-18.5/JY	150	150	22	1475	18.5	85	0.9	36.00	45	1080/ (1135)	1030/ (1085)	420	830	620	350	240/ (295)	290
62	150WQ180-20-18.5/JY	150	180	20	1475	18.5	85	0.9	36.00	45	1080/ (1135)	1030/ (1085)	420	830	620	350	240/ (295)	290
63	200WQ250-15-18.5/JY	200	250	15	1475	18.5	85	0.85	36.00	50	1120/ (1175)	850/ (905)	420	870	580	355	250/ (305)	312
64	200WQ300-12-18.5/JY	200	300	12	1475	18.5	85	0.85	36.00	50	1120/ (1175)	850/ (905)	420	870	580	355	250/ (305)	312
65	100WQ100-34-22/JY	100	100	34	1475	22	86	0.87	42.00	35	1180/ (1245)	950/ (956)	420	840	680	420	220/ (275)	300
66	200WQ250-17-22/JY	200	250	17	1475	22	86	0.87	42.00	55	1150/ (1205)	890/ (945)	420	870	580	355	250/ (305)	330
67	200WQ300-15-22/JY	200	300	15	1475	22	86	0.87	42.00	55	1150/ (1205)	890/ (945)	420	870	580	355	250/ (305)	330
68	100WQ120-42-30/JY	100	120	42	1475	30	86	0.87	58.00	35	1250/ (1315)	1050	520	870	710	450	220/ (275)	432
69	150WQ180-30-30/JY	150	180	30	1475	30	86	0.87	58.00	45	1240	1000	520	860	650	380	240	455
70	150WQ 250-22-30/JY	150	250	22	1475	30	86	0.87	58.00	45	1240	1000	520	860	650	380	240	455
71	200WQ360-16-30/JY	200	360	16	1475	30	86	0.87	58.00	55	1240	1000	520	910	620	380	285	475
72	250WQ600-9-30/JY	250	600	9	1475	30	86	0.87	58.00	70	1290	1050	520	1010	660	390	330	490
73	300WQ800-7-30/JY	300	800	7	1475	30	86	0.87	58.00	70	1440	1200	520	1475	720	410	305	475
74	350WQ 1000-6-30/JY	350	1000	6	980	37	88	0.86	70.00	85	1500	1300	520	1540	720	510	380	785
75	150WQ180-34-37/JY	150	180	34	1475	37	89	0.87	70.00	45	1240	1000	520	935	725	380	270	528
76	150WQ250-27-37/JY	150	250	27	1475	37	89	0.87	70.00	45	1240	1000	520	935	725	380	270	528
77	200WQ300-22-37/JY	200	300	22	1475	37	89	0.87	70.00	55	1260	1020	520	910	620	380	285	528
78	200WQ400-18-37/JY	200	400	18	1475	37	89	0.87	70.00	55	1260	1020	520	910	620	380	285	528
79	250WQ600-13-37/JY	250	600	13	1475	37	89	0.87	70.00	70	1320	1080	520	1010	660	390	330	545
80	300WQ900-7-37/JY	300	900	7	1475	37	89	0.87	70.00	70	1440	1200	520	1475	720	410	380	567
81	350WQ1000-7-37/JY	350	1000	7	980	37	88	0.86	70.00	85	1500	1300	520	1540	720	510	380	785
82	150WQ180-37-45/JY	150	180	37	1475	45	89	0.87	85.00	45	1340	1100	520	1030	750	380	270	528
83	150WQ250-34-45/JY	150	250	34	1475	45	89	0.87	85.00	45	1340	1100	520	1030	750	380	270	528
84	200WQ400-25-45/JY	200	400	25	1475	45	89	0.87	85.00	55	1320	1100	520	910	620	380	285	575
85	250WQ600-16-45/JY	250	600	16	1475	45	89	0.87	85.00	70	1360	1100	520	1010	660	390	330	600
86	250WQ800-12-45/JY	250	800	12	1475	45	89	0.87	85.00	70	1360	1100	520	1010	660	390	330	600
87	300WQ900-9-45/JY	300	900	9	1475	45	89	0.87	85.00	70	1490	1250	520	1475	720	410	305	626
88	350WQ1000-10-45/JY	350	1000	10	1475	45	88	0.87	85.00	85	1500	1250	520	1530	1040	650	280	832
89	150WQ150-54-55	150	150	54	1475	55	90	0.87	103	45	1530	1300	/	1020	770	480	250	890
90	150WQ200-50-55	150	200	50	1475	55	90	0.87	103	45	1530	1300	/	1020	770	480	250	890
91	200WQ300-38-55	200	300	38	1475	55	90	0.87	103	55	1500	1150	/	1010	720	458	335	806
92	200WQ400-32-55	200	400	32	1475	55	90	0.87	103	55	1500	1150	/	1010	720	458	335	806
93	250WQ 600-20-55	250	600	20	1475	55	90	0.87	103	70	1500	1150	/	1070	720	458	390	825
94	300WQ800-15-55	300	800	15	1475	55	89	0.87	103	70	1490	1250	/	1475	905	500	400	626
95	350WQ1100-10-55	350	1100	10	1475	55	89	0.87	103	85	1500	1200	/	1590	1130	680	429	832

96	400WQ 1300-8-55	400	1300	8	980	55	90	0.87	105	85	1520	1200	/	1810	1200	670	380	1410
97	150WQ200-55-75	150	200	55	1475	75	90	0.87	140	45	1600	1350	/	1100	985	600	250	910
98	200WQ350-45-75	200	350	45	1475	75	90	0.87	140	55	1550	1250	/	1010	720	458	335	906
99	250WQ600-25-75	250	600	25	1475	75	90	0.87	140	65	1520	1180	/	1070	720	458	390	955
100	300WQ 800-18-75	300	800	18	1475	75	90	0.87	140	80	1570	1170	/	1475	905	500	400	1010
101	350WQ1200-15-75	350	1200	15	980	75	90	0.82	155	85	1520	1200	/	1590	1150	700	380	1100
102	400WQ1400-12-75	400	1400	12	980	75	90	0.82	142	85	1580	1280	/	2055	1400	750	380	2010
103	200WQ350-50-90	200	350	50	1475	90	91	0.871	167	50	1700	1300	/	1400	780	520	300	1200
104	250WQ600-30-90	250	600	30	1475	90	91	0.871	167	65	1580	1200	/	1400	720	458	390	1008
105	300WQ900-22-90	300	900	22	1475	90	91	0.871	167	70	1570	1200	/	1475	905	500	400	1060
106	350WQ1100-18-90	350	1100	18	980	90	90	0.87	167	85	2365	2100	/	1590	1190	710	380	1410
107	400WQ1500-15-90	400	1500	15	980	90	90	0.81	170	95	2000	1700	/	2155	1500	900	380	1500
108	500WQ2000-10-90	500	2000	10	980	90	77	0.81	170	95	2100	1800		2210	1550	920	520	1600

● WQA(JY)污水潜水泵技术参数及尺寸表 Technical parameters and size table of WQA (JY) sewage submersible pump

number	specifications and models	outlet diameter	流量 Q	扬程 H	电机功率 P	转速 n	电压	d	外形尺寸(mm) External dimensions (mm)								泵重量 weight
		(mm)	((m³ h)	(m)	(kW)	(r/min)	(V)	(mm)	L5	B2	H	H1	H2	L8	L9	L7	(kg)
1	40WQA10-10-0.75	40	10	10	0.75	2950	380/220	15	135	200	490	420	110	90	95	105	23
2	40WQA7-15-1.1	40	7	15	1.1	2950	380/220	15	135	200	490	420	110	85	90	95	24
3	40WQA15-8-1.1	40	15	8	1.1	2950	380/220	15	135	200	490	420	110	90	95	105	25
4	40WQA12-15-1.5/JY	40	12	15	1.5	2950	380/220	15	150	240	530	460	125	100	105	115	29
5	50WQA10-7-0.55	50	10	7	0.55	2950	380/220	15	135	200	490	420	110	90	95	105	23
6	50WQA10-10-0.75	50	10	10	0.75	2950	380/220	15	135	200	490	420	110	90	95	105	24
7	50WQA7-15-1.1	50	7	15	1.1	2950	380/220	15	135	200	490	420	110	85	90	95	25
8	50WQA15-8-1.1	50	15	8	1.1	2950	380/220	15	135	200	490	420	110	90	95	105	25
9	50WQA10-15-1.5/JY	50	10	15	1.5	2950	380/220	15	150	240	530	460	125	100	105	115	29
10	50WQA15-10-1.5/JY	50	15	10	1.5	2950	380/220	15	150	240	530	460	125	100	105	115	29
11	65WQA25-8-1.5/JY	65	25	8	1.5	2950	380/220	15	150	240	530	460	125	100	105	115	29
12	50WQA9-22-2.2/JY	50	9	22	2.2	2950	380/220	15	150	240	530	460	125	100	105	115	38
13	50WQA25-10-2.2/JY	50	25	10	2.2	2950	380/220	15	150	240	530	460	125	100	105	115	37
14	65WQA35-7-2.2/JY	65	35	7	2.2	2950	380/220	25	150	240	530	460	125	95	100	110	38
15	80WQA40-10-2.2/JY	80	40	10	2.2	2950	380/220	25	165	240	530	460	125	100	110	125	41
16	100WQA50-7-2.2/JY	100	50	7	2.2	2950	380	30	180	260	540	470	140	110	120	130	43
17	50WQA15-30-3/JY	50	15	30	3	2950	380	20	160	240	550	480	120	100	110	120	43
18	50WQA25-15-3/JY	50	25	15	3	2950	380	20	160	240	550	480	120	100	110	120	43
19	65WQA35-10-3/JY	65	35	10	3	2950	380	25	160	240	560	490	134	95	100	110	44

20	80WQA40-12-3/JY	80	40	12	3	2950	380	25	180	240	570	500	110	120	135	125	44
21	100WQA60-9-3/JY	100	60	9	3	2950	380	25	180	270	580	510	155	115	130	135	55
22	50WQA15-35-4/JY	50	15	35	4	2950	380	15	160	270	580	480	134	110	120	130	61
23	50WQA25-22-4/JY	50	25	22	4	2950	380	15	160	270	580	480	134	110	120	130	61
24	65WQA20-25-4/JY	65	20	25	4	2950	380	25	180	270	605	525	134	110	120	130	62
25	80WQA40-15-4/JY	80	40	15	4	2950	380	25	180	270	650	550	155	115	130	135	63
26	80WQA60-12-4/JY	80	60	12	4	2950	380	25	180	270	650	550	155	115	130	135	63
27	100WQA80-8-4/JY	100	80	8	4	2950	380	30	190	270	650	550	155	130	140	160	64
28	50WQA15-40-5.5/JY	50	15	40	5.5	2950	380	15	160	270	635	510	134	110	120	130	68
29	50WQA25-25-5.5/JY	50	25	25	5.5	2950	380	15	160	270	635	510	134	116	125	140	68
30	65WQA30-30-5.5/JY	65	30	30	5.5	2950	380	15	180	270	650	525	134	117	125	130	69
31	80WQA40-22-5.5/JY	80	40	22	5.5	2950	380	25	160	270	650	550	140	110	120	130	74
32	80WQA65-15-5.5/JY	80	65	15	5.5	2950	380	25	180	270	650	550	140	110	120	130	74
33	80WQA85-10-5.5/JY	80	85	10	5.5	2950	380	25	180	270	650	550	140	110	120	130	74
34	100WQA65-15-5.5/JY	100	65	15	5.5	2950	380	30	180	270	650	550	140	110	130	150	76
35	100WQA85-10-5.5/JY	100	85	10	5.5	2950	380	30	180	270	650	550	140	110	130	150	76
36	150WQA100-7-5.5/JY	150	100	7	5.5	2950	380	35	230	350	820	680	200	150	170	185	125
37	50WQA20-40-7.5/JY	50	20	40	7.5	2950	380	15	185	320	690	510	140	135	140	145	95
38	50WQA30-32-7.5/JY	50	30	32	7.5	2950	380	15	185	320	690	510	140	135	140	145	95
39	65WQA25-35-7.5/JY	65	25	35	7.5	2950	380	25	185	320	850	685	140	180	190	195	97
40	80WQA45-25-7.5/JY	80	45	25	7.5	2950	380	25	205	320	710	610	140	140	155	160	100
41	80WQA65-20-7.5/JY	80	65	20	7.5	2950	380	25	205	320	710	610	140	140	155	160	100
42	100WQA80-15-7.5/JY	100	80	15	7.5	2950	380	30	210	320	720	650	190	140	150	155	103
43	100WQA45-25-7.5/JY	100	45	25	7.5	2950	380	25	210	320	720	650	190	140	150	155	103
44	150WQA135-10-7.5/JY	150	135	10	7.5	1475	380	40	230	350	820	680	200	160	180	195	145
45	65WQA20-56-11/JY	65	20	56	11	2950	380	25	220	350	850	700	185	135	145	150	148
46	80WQA40-45-11/JY	80	40	45	11	2950	380	25	250	350	1050	800	156	170	190	200	153
47	100WQA45-40-11/JY	100	45	40	11	2950	380	30	325	350	1200	800	210	210	220	230	212
48	100WQA80-25-11/JY	100	80	25	11	1475	380	50	340	380	1200	800	210	210	220	230	280
49	150WQA130-15-11/JY	150	130	15	11	1475	380	60	360	380	1200	800	210	210	240	260	290
50	150WQA200-10-11/JY	150	200	10	11	1475	380	60	360	380	1200	800	210	210	240	260	290
51	200WQA300-7-11/JY	200	300	7	11	1475	380	70	420	380	1350	900	250	230	270	310	300
52	200WQA360-6-11/JY	200	360	6	11	1475	380	70	420	380	1350	900	250	230	270	310	300
53	100WQA80-30-15/JY	100	80	30	15	1475	380	50	340	380	1200	800	210	210	220	230	330
54	100WQA120-22-15/JY	100	120	22	15	1475	380	50	340	380	1200	800	210	210	220	230	330
55	150WQA150-18-15/JY	150	150	18	15	1475	380	60	360	380	1200	800	210	210	240	260	350
56	150WQA200-15-15/JY	150	200	15	15	1475	380	60	360	380	1200	800	210	210	240	260	350
57	200WQA400-7-15/JY	200	400	7	15	1475	380	70	420	380	1350	900	250	230	270	310	360
58	100WQA70-40-15/JY	100	70	40	15	2950	380	15	250	360	1250	800	150	160	170	180	220
59	100WQA100-30-18.5/JY	100	100	30	18.5	1475	380	50	385	380	1500	900	210	230	250	270	350

60	150WQA150-22-18.5/JY	150	150	22	18.5	1475	380	50	385	380	1500	900	210	230	250	270	370
61	200WQA250-15-18.5/JY	200	250	15	18.5	1475	380	80	450	380	1600	950	250	270	310	350	380
62	200WQA300-12-18.5/JY	200	300	12	18.5	1475	380	80	450	380	1600	950	250	270	310	350	380
63	250WQA500-8-18.5/JY	250	500	8	18.5	1475	380	70	450	380	1600	950	250	230	270	310	390
64	80WQA50-65-22/JY	80	50	65	22	2950	380	10	280	300	1300	900	155	160	170	180	390
65	100WQA100-34-22/JY	100	100	34	22	1475	380	50	385	380	1500	900	210	230	250	270	370
66	150WQA130-30-22/JY	150	130	30	22	1475	380	50	385	380	1500	900	210	230	250	270	380
67	200WQA250-17-22/JY	200	250	17	22	1475	380	80	450	380	1600	950	250	270	310	350	390
68	200WQA300-15-22/JY	200	300	15	22	1475	380	80	450	380	1600	950	250	270	310	350	390
69	200WQA400-10-22/JY	200	400	10	22	1475	380	80	450	380	1600	950	250	270	310	350	390
70	250WQA600-7-22/JY	250	600	7	22	1475	380	70	450	380	1600	950	250	230	270	310	400
71	100WQA80-65-30/JY	100	80	65	30	2950	380	10	280	300	1300	900	155	160	170	180	430
72	150WQA100-40-30/JY	150	100	40	30	1475	380	55	425	475	1700	1100	225	260	280	300	550
73	150WQA150-36-30/JY	150	150	36	30	1475	380	55	425	475	1700	1100	225	260	280	300	550
74	150WQA250-22-30/JY	150	250	22	30	980	380	80	510	475	1800	1100	290	300	325	350	640
75	200WQA360-16-30/JY	200	360	16	30	980	380	80	510	475	1800	1200	290	300	325	350	650
76	250WQA600-10-30/JY	250	600	10	30	980	380	80	560	475	1800	1250	270	300	330	360	660
77	250WQA800-8-30/JY	250	800	8	30	980	380	70	580	475	1800	1250	270	315	370	435	660
78	300WQA900-7-30/JY	300	900	7	30	980	380	70	580	475	1800	1300	270	315	370	435	700
79	350WQA1000-6-30/JY	350	1000	6	30	980	380	80	650	475	1850	1350	310	360	430	510	730
80	150WQA150-40-37/JY	150	150	40	37	1475	380	55	425	475	1700	1100	225	260	280	300	750
81	150WQA250-25-37/JY	150	250	25	37	980	380	80	510	475	1800	1100	290	300	325	350	800
82	200WQA300-22-37/JY	200	300	22	37	980	380	80	510	475	1800	1200	290	300	325	350	820
83	200WQA400-18-37/JY	200	400	18	37	980	380	80	560	475	1800	1200	270	300	330	360	820
84	250WQA600-13-37/JY	250	600	13	37	980	380	80	560	475	1800	1250	270	300	330	360	850
85	250WQA800-10-37/JY	250	800	10	37	980	380	70	580	475	1800	1250	270	315	370	435	850
86	300WQA900-8-37/JY	300	900	8	37	980	380	70	580	475	1800	1300	270	315	370	435	880
87	350WQA1200-6-37/JY	350	1200	6	37	980	380	80	650	475	1850	1350	310	360	430	510	920
88	150WQA150-48-45/JY	150	150	48	45	1475	380	35	460	475	1800	1100	220	260	285	320	950
89	150WQA240-35-45/JY	150	240	35	45	1475	380	35	460	475	1800	1100	220	260	285	320	950
90	200WQA400-25-45/JY	200	400	25	45	1475	380	35	460	475	1800	1100	220	260	285	320	1000
91	250WQA600-16-45/JY	250	600	16	45	980	380	90	570	550	2000	1400	285	310	340	380	1050
92	250WQA800-13-45/JY	250	800	13	45	980	380	90	570	550	2000	1400	285	310	340	380	1050
93	300WQA900-12-45/JY	300	900	12	45	980	380	90	600	550	2000	1400	285	350	390	430	1100
94	350WQA1100-10-45/JY	350	1100	10	45	980	380	90	650	550	2050	1450	315	365	435	510	1200
95	150WQA150-60-55	150	150	60	55	1475	380	35	460	475	1800	1100	220	260	285	320	1350
96	150WQA200-50-55	150	200	50	55	1475	380	35	460	475	1800	1100	220	260	285	320	1350
97	200WQA300-40-55	200	300	40	55	1475	380	35	460	475	1800	1100	220	260	285	320	1400
98	200WQA400-34-55	200	400	34	55	1475	380	35	460	475	1800	1100	220	260	285	320	1400

99	250WQA600-20-55	250	600	20	55	980	380	90	570	550	2000	1400	285	310	340	380	1500
100	250WQA800-17-55	250	800	17	55	980	380	90	600	550	2000	1400	285	350	390	430	1500
101	300WQA900-15-55	300	900	15	55	980	380	90	600	550	2000	1400	285	350	390	430	1600
102	350WQA1200-10-55	350	1200	10	55	980	380	90	650	550	2050	1450	315	365	435	510	1700
103	400WQA1900-6-55	400	1900	6	55	740	380	90	700	750	2550	1800	510	440	535	600	1800
104	150WQA250-60-75	150	250	60	75	1475	380	35	600	550	2050	1300	230	345	385	430	1500
105	200WQA350-45-75	200	350	45	75	1475	380	35	600	550	2050	1300	230	345	385	430	1550
106	250WQA600-25-75	250	600	25	75	980	380	70	630	650	2300	1500	270	370	420	450	1650
107	300WQA800-22-75	300	800	22	75	980	380	70	700	650	2300	1500	270	420	480	530	1700
108	350WQA1200-15-75	350	1200	15	75	980	380	150	700	550	2450	1600	370	380	435	490	1750
109	400WQA2000-8-75	400	2000	8	75	740	380	90	700	750	2550	1800	510	440	535	600	2000
110	200WQA350-50-90	200	350	50	90	1475	380	35	600	550	2050	1300	230	345	385	430	1500
111	250WQA600-35-90	250	600	35	90	980	380	35	630	650	2300	1500	270	370	420	450	1750
112	300WQA900-24-90	300	900	24	90	980	380	70	700	650	2300	1500	270	420	480	530	1800
113	350WQA1200-18-90	350	1200	18	90	980	380	150	700	550	2450	1600	370	380	435	490	1900
114	400WQA1800-13-90	400	1800	13	90	980	380	150	750	550	2450	1700	370	380	435	490	2000
115	500WQA2700-7-90	500	2700	7	90	740	380	100	800	800	2680	1900	375	635	730	800	2700
116	200WQA350-60-110	200	350	60	110	1475	380	35	600	550	2100	1400	230	355	400	440	1600
117	250WQA600-40-110	250	600	40	110	980	380	35	630	650	2300	1700	270	370	420	450	2000
118	300WQA800-36-110	300	800	36	110	980	380	35	630	650	2450	1700	270	390	435	490	2100
119	300WQA1000-27-110	300	1000	27	110	980	380	70	700	650	2450	1700	270	420	480	530	2100
120	350WQA1200-20-110	350	1200	20	110	980	380	150	700	550	2450	1800	370	380	435	490	2200
121	400WQA1900-15-110	400	1900	15	110	980	380	150	700	550	2450	1900	370	380	435	490	2300
122	500WQA3000-8-110	500	3000	8	110	740	380	100	800	800	2680	2000	375	635	730	800	2850
123	250WQA500-55-132	250	500	55	132	1475	380	40	600	550	2200	1600	240	335	350	390	2000
124	250WQA600-50-132	250	600	50	132	1475	380	40	600	550	2200	1600	240	335	350	390	2000
125	300WQA900-36-132	300	900	36	132	980	380	70	700	650	2300	1500	270	420	480	530	2350
126	350WQA1600-20-132	350	1600	20	132	980	380	150	700	550	2450	1800	370	380	435	490	2500
127	400WQA2200-15-132	400	2200	15	132	740	380	100	800	800	2900	2300	450	480	580	665	2650
128	500WQA3000-10-132	500	3000	10	132	740	380	100	800	800	2900	2300	450	480	580	665	2750
129	300WQA700-54-160	300	700	54	160	1475	380	40	650	550	2350	1600	240	335	360	390	2700
130	350WQA1100-35-160	350	1100	35	160	980	380	50	800	750	2800	2200	360	460	510	550	2900
131	400WQA1600-25-160	400	1600	25	160	740	380	100	800	800	2900	2300	450	480	580	665	3000
132	500WQA2600-16-160	500	2600	16	160	740	380	100	800	800	2900	2300	450	480	580	665	3100
133	500WQA3000-14-160	500	3000	14	160	740	380	100	800	800	2900	2300	450	480	580	665	3000
134	300WQA700-60-185	300	700	60	185	1475	380	40	650	550	2350	1600	240	335	360	390	2800
135	350WQA1100-40-185	350	1100	40	185	980	380	50	800	750	2800	2200	360	460	510	550	2900
136	400WQA1800-25-185	400	1800	25	185	740	380	80	1000	800	2850	2250	375	635	730	800	3500
137	500WQA2600-19-185	500	2600	19	185	740	380	100	800	800	2900	2300	450	480	580	665	3600
138	600WQA3500-12-185	600	3500	12	185	740	380	100	800	800	2900	2300	450	480	580	665	3800
139	300WQA700-63-200	300	700	63	200	1475	380	40	650	550	2350	1600	240	335	360	390	2900

140	350WQA1100-44-200	350	1100	44	200	980	380	50	800	750	2800	2200	360	460	510	550	3300
141	400WQA1700-30-200	400	1700	30	200	980	380	50	800	750	2800	2200	360	460	510	550	3400
142	500WQA2600-20-200	500	2600	20	200	740	380	100	800	800	2900	2300	450	480	580	665	3800
143	500WQA3000-17-200	500	3000	17	200	740	380	80	1000	800	2850	2250	375	635	730	800	3800
144	600WQA4000-12-200	600	4000	12	200	740	380	150	1350	900	3000	2400	500	650	750	820	4000
145	350WQA1400-42-220	350	1400	42	220	980	380	50	800	750	2800	2200	360	460	510	550	3600
146	400WQA2000-28-220	400	2000	28	220	740	380	80	1000	800	2850	2250	375	635	730	800	4200
147	500WQA2600-22-220	500	2600	22	220	740	380	80	1000	800	2850	2250	375	635	730	800	4300
148	500WQA3000-20-220	500	3000	20	220	740	380	80	1000	800	2850	2250	375	635	730	800	4300
149	600WQA4000-14-220	600	4000	14	220	740	380	150	1350	900	3000	2400	500	650	750	820	4200
150	350WQA850-60-250	350	850	60	250	980	380	30	850	750	2900	2300	380	520	570	610	4000
151	350WQA1600-40-250	350	1600	40	250	980	380	50	800	750	2800	2200	360	460	510	550	3800
152	400WQA1900-32-250	400	1900	32	250	980	380	50	800	750	2800	2200	360	460	510	550	3900
153	500WQA2700-25-250	500	2700	25	250	740	380	80	1000	800	2850	2250	375	635	730	800	4400
154	500WQA3000-23-250	500	3000	23	250	740	380	80	1000	800	2850	2250	375	635	730	800	4400
155	600WQA3800-17-250	600	3800	17	250	740	380	150	1350	900	3000	2400	500	650	750	820	4500
156	350WQA900-65-280	350	900	65	280	980	380	30	850	750	2900	2300	380	520	570	610	4150
157	350WQA1500-45-280	350	1500	45	280	980	380	50	800	750	2800	2200	360	460	510	550	3900
158	400WQA1800-40-280	400	1800	40	282	980	380	50	800	750	2800	2200	360	460	510	550	4000
159	500WQA3000-25-280	500	3000	25	280	740	380	80	1000	800	2850	2250	375	635	730	800	4600
160	600WQA4200-16-280	600	4200	16	280	740	380	150	1350	900	3000	2400	500	650	750	820	4800
161	350WQA950-75-315	350	950	75	315	980	380	30	850	750	2950	2350	380	530	570	610	4300
162	350WQA1500-55-315	350	1500	55	315	980	380	50	800	750	2800	2200	360	460	510	550	3900
163	400WQA1800-45-315	400	1800	45	315	980	380	50	800	750	2800	2200	360	460	510	550	3950
164	600WQA4200-20-315	600	4200	20	315	740	380	150	1350	900	3000	2400	500	650	750	820	5300