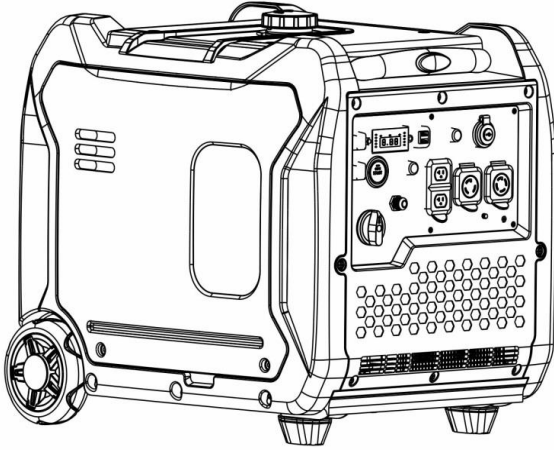


零部件图册

PARTS CATALOG



GM7250iEDC

Inverter Generator

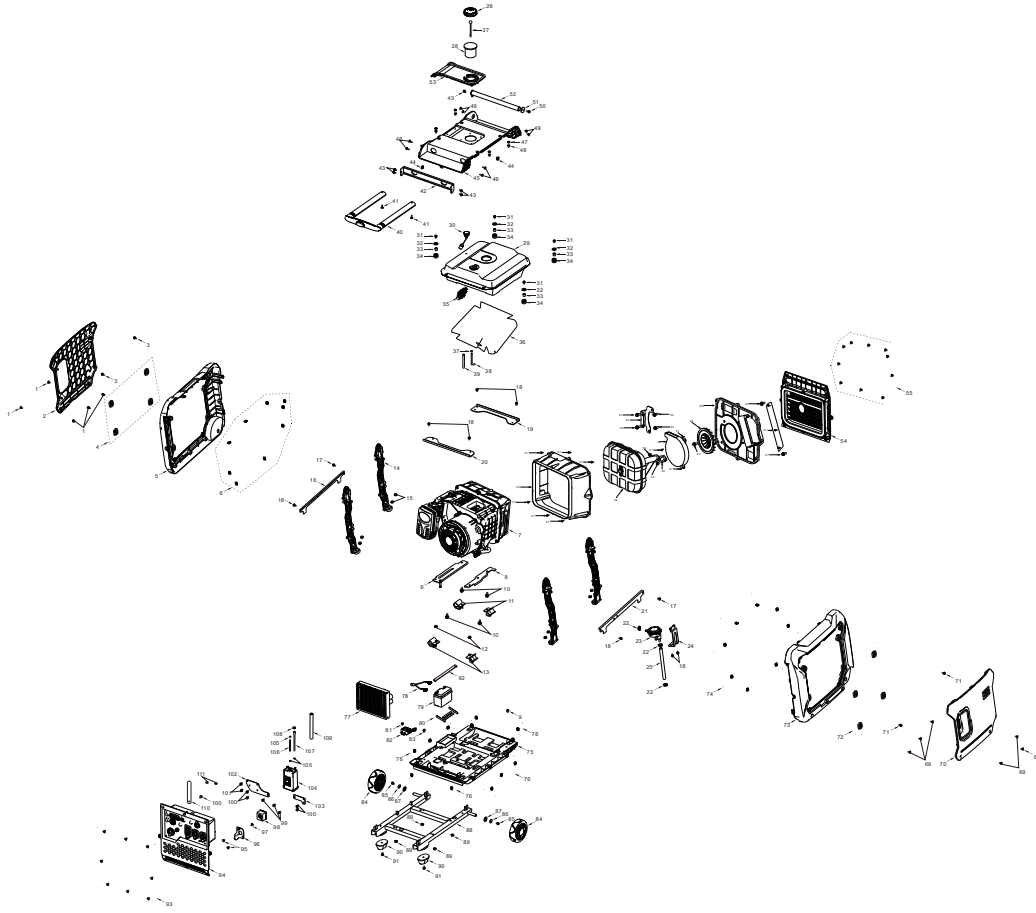
ENGINE-EXPLOSIVE VIEW



ENGINE-ITEM NUMBER			
No.	Part No.	Description	Quantity
1	0210.180.X01V.00.00	Piston ring ass.	1
2	0200.F80.001V.00.00	Piston	1
3	0230.168.001V.00.00	Clip,Piston pin	2
4	0220.F80.001V.00.00	Piston pin	1
5	0190.F80.001V.00.00	Connecting rod assembly	1
6	5787.06025.00.01	Blot	2
7	2100.F80.001V.00.00	High pressure bag	1
8	1000.F80.0011.00.00	Crankcase body	1
9	3340.F80.001V.00.00	Engine floor	1
10	2190.F80.0011.00.00	Cylinder guide hood	1
11	1260.168.R001V.66.00	Gasket for oil drain bolt	2
12	1250.F80.0011.00.20	Oil drain bolt	2
13	3170.168.R001V.00.00	Set pin	2
14	1521.F80.001V.00.00	Trigger	1
15	2090.F80.001V.00.00	Crimping board	1
16	5787.06014.00.01	Blot	3
17	5789.06028.00.01	Blot	2
18	5789.05016.00.07	Blot	2
19	2070.F80.A020.00.00	Starting motor	1
20	8654.F80.0011.00.00	Case cover	1
21	5787.06018.00.01	Blot	3
22	2330.F80.001V.00.00	Oil drain pipe combination	1
23	2783.F80.0020.00.00	Starting motor cover	1
24	1220.528.R0010.00.00	Tension disc	1
25	1025.520.001V.00.00	Temperature sensor	1
26	4000.528.0030.00.02	Motor stator	1
27	5787.06065.00.01	Blot	3
28	4000.528.001V.00.01	Motor rotor	1
29	2030.528.0010.63.11	Flywheel fan	1
30	2020.F80.002V.00.00	Starting sleeve	1
31	6177.14000.06.01	Nut	1
32	5787.06014.00.01	Blot	4
33	2000.F80.0011.00.01	Starting hood	1
34	5787.06018.00.01	Blot	5
35	2000.T70.001V.00.03	Starting handle	1
36	2186.T48.001V.00.00	Handle cover	1
37	2000.T70.0020.00.02	Pull the plate	1
38	5787.06014.00.01	Blot	4
39	1220.528.R0020.00.00	Tension disc	1
40	7495.528.0020.00.00	Cable trim cover plate	1
41	5787.08035.00.01	Blot	7
42	1230.F80.001V.00.00	Oil gauge ass.	1
43	1010.F80.0031.00.00	Crankcase cover	1
44	5789.06010.00.01	Blot	1
45	0270.173.005V.00.00	Ball bearing	1
46	1020.148.0011.00.00	Warning device	1
47	5787.06014.00.01	Blot	2
48	3170.168.R001V.00.00	Set pin	2
49	3040.F80.0011.00.00	Gasket,Crankcase	1
50	1040.F80.0010.60.00	Camshaft ass.	1
51	0180.F80.0030.61.00	Grankshaft ass.	1
52	3150.173.001V.00.00	Oil seal	2
53	5787.06014.00.01	Blot	1

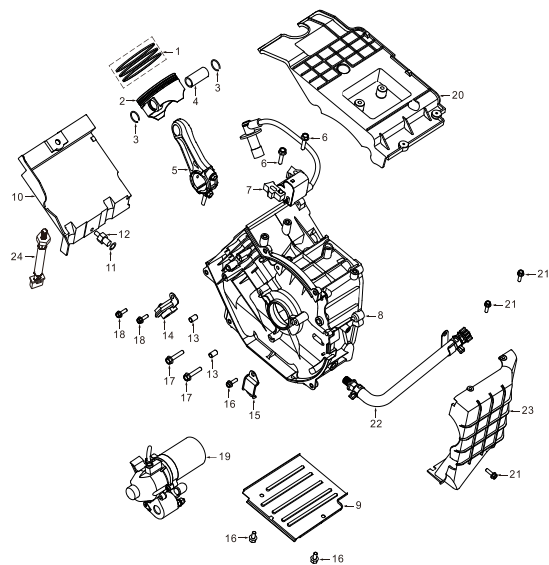
54	0085.165.001V.00.00	Oil seal, Intake valve	1
55	0107.F70.020V.00.00	Rocker shaft stop	1
56	0100.F80.001V.00.00	Rocker ass.	2
57	0105.K92.001V.00.00	Rocker shaft	2
58	0090.168.001V.00.00	Valve top cap	2
59	1120.165.0020.00.00	Valve collet	2
60	0060.165.0020.00.00	Valve spring seat	2
61	0040.F80.001V.00.00	Valve spring	2
62	0030.F80.001V.00.00	Exhaust valve	1
63	0020.F80.001V.00.00	Intake valve	1
64	0160.F80.001V.00.00	Pusher	2
65	1030.F68.001V.00.00	Tappet	2
66	5787.06025.00.01	Blot	4
67	0001.F80.001V.00.01	Cylinder head cover	1
68	2370.F80.001V.00.00	Exhaust pipe	1
69	7061.F80.001V.00.00	Breathing valve plate assembly	1
70	7061.F80.002V.00.00	Breathing valve pad	1
71	5789.05010.00.07	Blot	1
72	3000.F80.001V.00.00	Cylinder head cover pad	1
73	6985.F80.0020.00.00	Cylinder head cover	1
74	5787.10075.05.10	Blot	4
75	2160.168.008V.00.00	Spark plug	1
76	0900.06102.00.01	Blot	2
77	R0900.08032.00.01	Blot	2
78	0010.F80.001V.00.00	Cylinder head	1
79	3170.188.002V.00.00	Set pin	2
80	3020.F80.0020.00.00	Gasket, Cylinder head	1
81	5787.06018.00.01	Blot	2
82	2781.F80.0010.00.00	Cylinder head cover	1
83	7080.165.001V.00.00	Fuel filter	1
84	2260.F80.0031.00.00	Carburetor ass.	1
85	3060.F80.001V.00.00	Gasket, inlet port	1
86	2300.F80.001V.00.00	Carburetor block	1
87	3080.F80.001V.00.00	Gasket, carburetor	1
88	2360.458.R003V.00.00	Ferrule	1
89	2330.528.C021.00.21	Oil tube	1
90	2360.458.R004V.00.00	Ferrule	1
91	2280.F80.0020.00.00	Air cleaner ass.	1
92	3095.168.001V.00.00	Air filter paper pad	1
93	6177.06000.00.01	Nut	2

GENERATOR-EXPLOSIVE VIEW



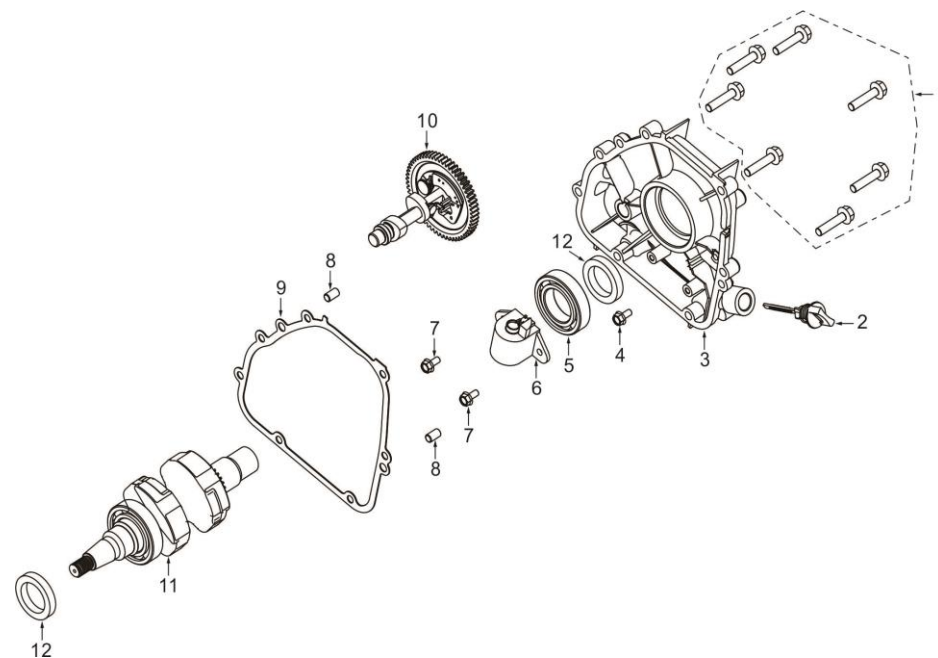
GENERATOR-ITEM NUMBER			
No.	Part No.	Description	Quantity
1	0818.05016.00.07	Cross pan head screw	5
2	5590.J24.0020.93.00	Right window panel assembly	1
3	5787.06016.00.07	Bolt	2
4	5522.467.002V.00.00	Fuel tank support plug	4
5	2232.J24.0010.00.00	Left panel assembly	1
6	6178.05000.01.04	Nut	8
7	BP00.038.001.00	Engine	1
8	3340.528.001V.00.00	Engine bottom platel	1
9	3340.528.002V.00.00	Engine bottom plate2	1
10	5787.10025.05.01	Bolt	4
11	3360.528.001V.00.00	Damping pad 1	2
12	6177.08000.00.07	Nut	2
13	3360.487.001V.00.00	Damping pad 1	2
14	6690.J24.0010.00.00	Stents	4
15	6177.08000.00.07	Nut	8
16	2319.J24.003V.D7.00	Left rail	1
17	5787.06020.00.07	Bolt	2
18	5787.06012.00.07	Bolt	8
19	2319.J24.002V.D7.00	After the bar	1
20	2319.J24.001V.D7.00	Before the beam	1
21	2319.J24.004V.D7.00	Right rail	1
22	2360.528.0010.00.00	Embrace hoop	3
23	6659.J24.0010.00.00	Two stage pressure reducing valve	1
24	8325.J24.001V.D7.00	Pressure reducing valve bracket	1
25	8797.J24.0010.00.00	Gas hose	1
26	3200.487.004V.04.01	Fuel tank cap	1
27	3200.487.004V.00.02	Oil tank cover chain	1
28	3200.168.075V.00.05	Fuel filter screen	1
29	3201.528.c010.D7.00	Tank	1
30	3200.528.0010.00.06	Circular electronic oil mark	1
31	5787.06025.00.01	Bolt	4
32	4100.460.R001V.20.00	Non standard flat pad	4
33	3213.460.001V.00.00	Tank bushing	4
34	3217.460.001V.00.00	Oil tank mounting rubber sleeve	4
35	3206.168.R001V.00.00	Fuel tank outlet nozzle	1
36	2436.J24.0010.00.00	Tank tinfoil	1
37	2360.458.R003V.00.00	Ferrule	1
38	2330.J24.C010.00.22	Tubing	1
39	2332.168.001V.00.00	Tubing protective sleeve	1
40	9874.528.0100.00.00	Pull handle assembly	1
41	0845.35095.00.07	Self tapping screw	2
42	8324.J24.001V.D7.00	Rod bracket	1
43	5787.06012.00.07	Bolt	5
44	6178.05000.01.04	Nut	2
45	9674.J24.0010.00.00	Upper shell	1
46	0845.42016.00.07	Self tapping screw	4
47	5010.562.004V.00.00	Plug	4
48	0818.05016.00.07	Cross pan head screw	4
49	0845.42012.01.01	Self tapping screw	4
50	5787.06016.00.07	Bolt	1
51	8795.J24.0010.00.00	Handle fixed gasket	1
52	4821.J24.001V.D7.00	Hand tube	1
53	3275.J24.0010.00.00	Tank pads	1
54	6566.J24.0010.00.00	Muffler side cover	1
55	0818.05016.00.07	Cross pan head screw	10
56	2402.528.001V.00.00	Muffler cover	1
57	5787.05016.00.01	Bolt	6
58	2400.528.001V.00.00	Muffler assembly	1
59	6170.08000.00.01	Hexagon nut	2
60	3100.188.004V.00.00	Muffler gasket	1
61	0845.42013.00.07	Self tapping screw	6
62	2030.528.0011.63.12	Fan hood	1
63	5787.08016.00.01	Bolt	5
64	1689.528.001V.00.00	Muffler mounting bracket	1
65	2030.528.0010.63.11	Fan	1
66	9757.528.001V.00.00	The muffler housing clapboard	1
67	5787.06016.00.01	Bolt	2
68	0818.05010.00.07	Cross pan head screw	1
69	0818.05016.00.07	Cross pan head screw	5

70	5591.J24.0020.93.00	Right window panel assembly	1
71	5787.06012.00.07	Bolt	2
72	5522.467.002V.00.00	Fuel tank support plug	4
73	2242.J24.0010.00.00	Right panel assembly	1
74	6178.05000.01.04	Nut	8
75	3340.J24.0010.00.00	Floor	1
76	6178.05000.01.04	Nut	10
77	2470.j24.0010.00.00	Inverter	1
78	6951.528.0030.00.00	Battery wiring harness	1
79	2461.188.001V.00.00	Lithium battery	1
80	2757.562.0010.00.00	Battery protection pad	4
81	0818.05016.00.07	Cross pan head screw	1
82	6854.528.0021.00.00	Voltage regulating rectifier	1
83	5787.06016.00.07	Bolt	1
84	7390.528.001V.00.00	Wheel	2
85	5787.06012.00.07	Bolt	2
86	4100.460.R001V.20.00	Non standard flat pad	2
87	4100.460.0110.20.00	Flat mat	2
88	3340.J24.001V.D7.00	Floor	1
89	6177.08000.00.07	Nut	4
90	3350.528.001V.00.00	Suspension bridge	2
91	5787.06025.00.07	Bolt	2
92	9575.J24.0010.00.00	Battery hoop band	1
93	0818.05016.00.07	Cross pan head screw	8
94	3370.J24.0100.00.99	Control panel combination	1
95	6111.469.0020.00.00	Bolt	2
96	5529.J24.001V.D7.00	CO alarm bracket	1
97	6111.469.0010.00.00	Bolt	1
98	5528.460.0011.00.00	CO alarm	1
99	5789.05010.00.01	Bolt	3
100	5787.06016.00.07	Bolt	5
101	5787.06010.00.07	Bolt	2
102	4441.J24.001V.D7.00	Carbon tank bracket	1
103	8452.J24.002V.D7.00	Inverter bracket	1
104	4440.487.0030.00.00	Canister	1
105	2360.458.R002V.00.00	Ferrule	3
106	2330.J24.0010.00.00	Fuel evaporation collection line	1
107	2330.J24.0020.00.00	Fuel evaporation collection line	1
108	2360.458.R004V.00.00	Ferrule	1
109	2332.452.0010.00.00	Silicone protective sleeve	1
110	1220.528.R0010.00.00	Line pressing board	1
111	2360.458.R003V.00.00	Ferrule	2



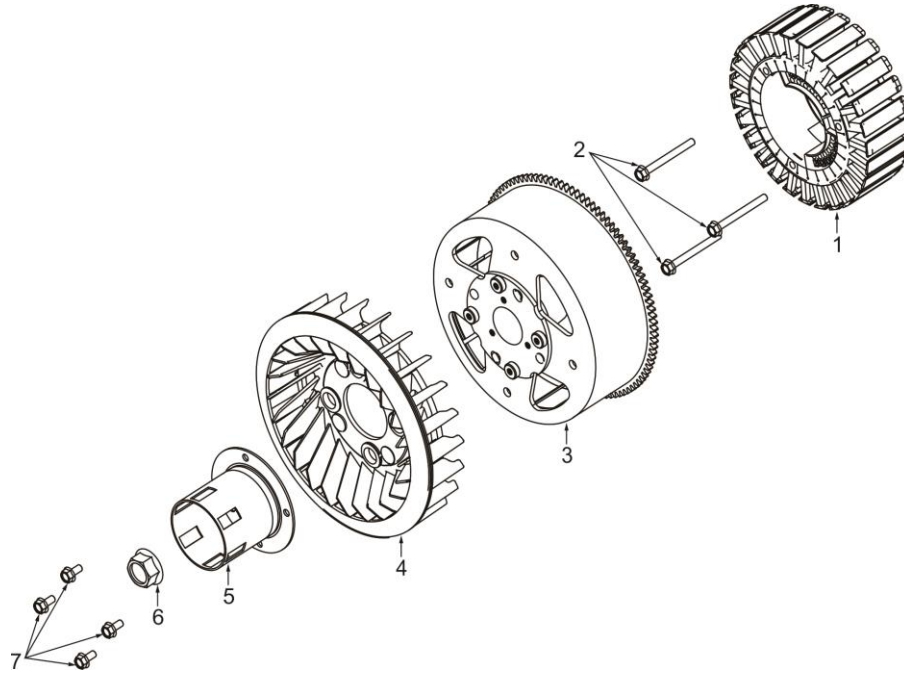
Crankcase

No.	Part No.	Description	Quantity
1	0210.180.X01V.00.00	Piston ring ass.	1
2	0200.F80.001V.00.00	Piston	1
3	0230.168.001V.00.00	Clip,Piston pin	2
4	0220.F80.001V.00.00	Piston pin	1
5	0190.F80.001V.00.00	Connecting rod assembly	1
6	5787.06025.00.01	Blot	2
7	2100.J24.0010.00.00	High pressure bag	1
8	1000.F80.0011.00.00	Crankcase body	1
9	3340.F80.001V.00.00	Engine floor	1
10	6985.F80.0020.00.00	Cylinder head cover	1
11	1260.168.R001V.66.00	Gasket for oil drain bolt	2
12	1250.F80.0011.00.20	Oil drain bolt	2
13	3170.168.R001V.00.00	Set pin	2
14	1521.F80.001V.00.00	Trigger	1
15	2090.F80.001V.00.00	Crimping board	1
16	5787.06014.00.01	Blot	3
17	5789.06028.00.01	Blot	2
18	5789.05016.00.07	Blot	2
19	2070.F80.A041.00.00	Starting motor	1
20	8654.F80.0011.00.00	Case cover	1
21	5787.06018.00.01	Blot	3
22	2330.F80.001V.00.00	Oil drain pipe combination	1
23	2783.F80.0020.00.00	Starting motor cover	1
24	1025.520.001V.00.00	Temperature sensor	1



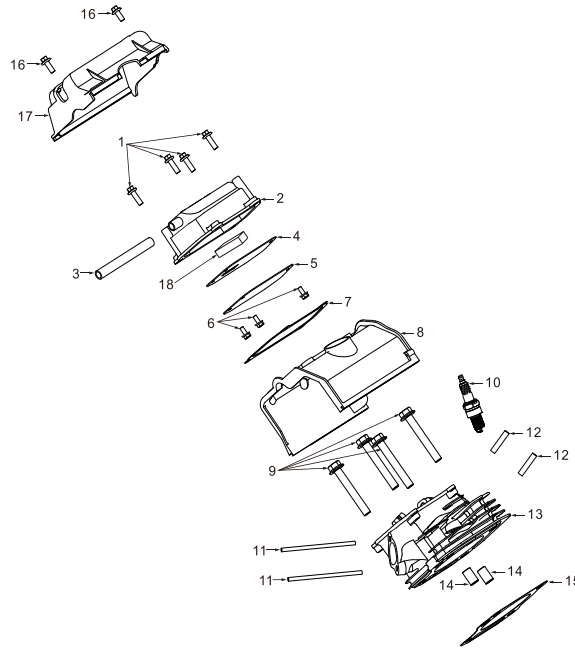
Crankcase cover

No.	Part No.	Description	Quantity
1	5787.08035.00.01	Blot	7
2	1230.F80.001V.00.00	Oil gauge ass.	1
3	1010.F80.0031.00.00	Crankcase cover	1
4	5789.06010.00.01	Blot	1
5	0270.173.005V.00.00	Ball bearing	1
6	1020.164.0011.00.00	Warning device	1
7	5787.06014.00.01	Blot	2
8	3170.168.R001V.00.00	Set pin	2
9	3040.F80.0011.00.00	Gasket, Crankcase	1
10	1040.F80.0012.60.00	Camshaft ass.	1
11	0180.F80.0030.60.00	Crankshaft ass.	1
12	3150.173.001V.00.00	Oil seal	2



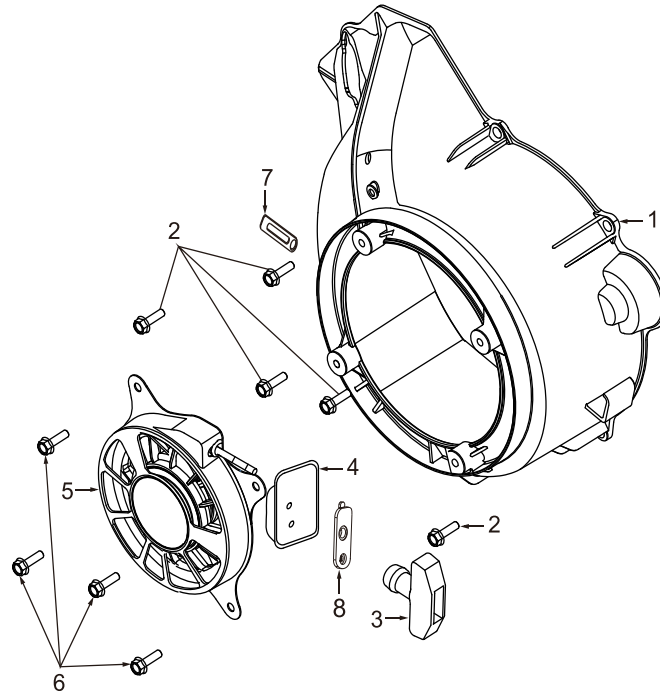
Motor assembly

No.	Part No.	Description	Quantity
1	4000.J24.0020.00.02	Motor stator	1
2	5787.06065.00.01	Blot	3
3	4000.J24.0010.00.01	Motor rotor	1
4	2030.F80.001V.00.00	Flywheel fan	1
5	2020.F80.002V.00.00	Starting sleeve	1
6	6177.14000.06.01	Nut	1
7	5787.06014.00.01	Bolt	4



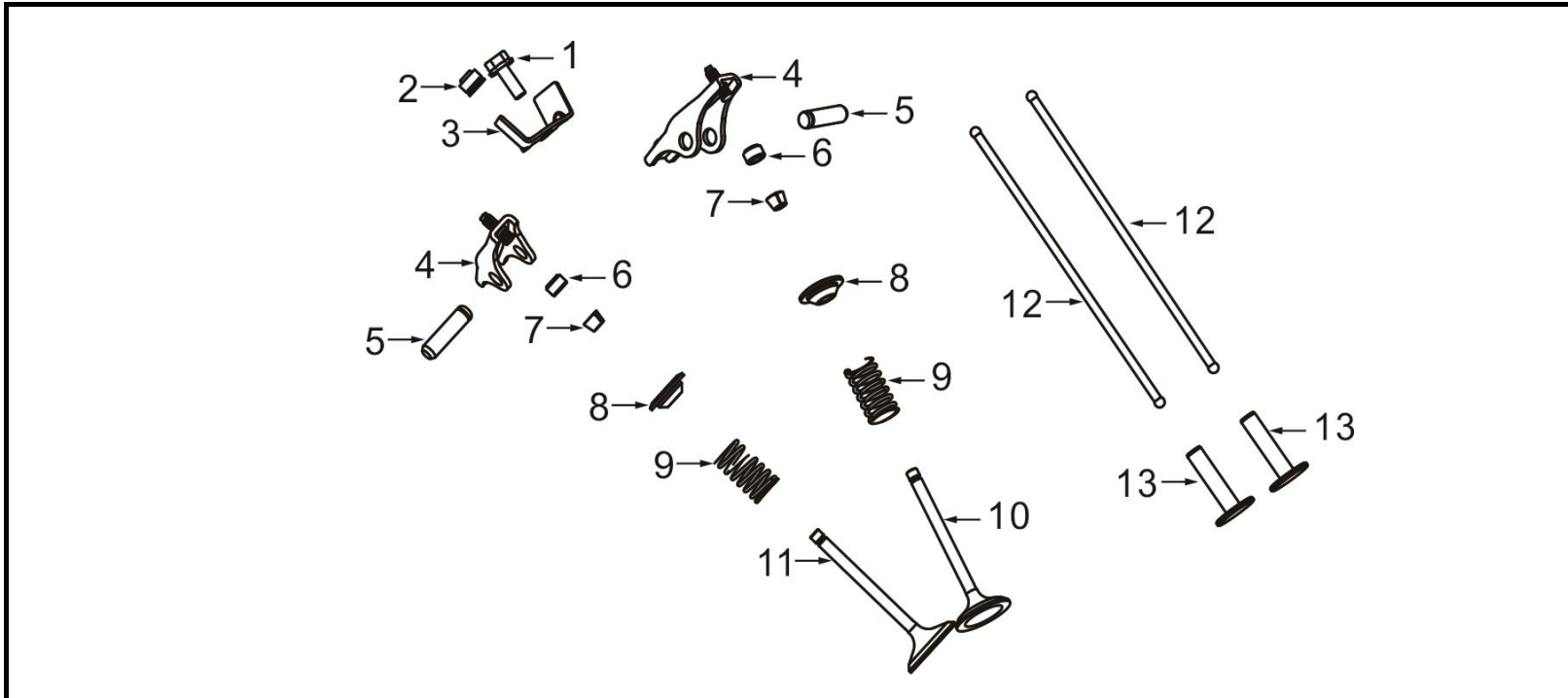
Cylinder head parts

No.	Part No.	Description	Quantity
1	5787.06025.00.01	Blot	4
2	0001.F80.001V.00.01	Cylinder head cover	1
3	2370.F80.0020.00.00	Exhaust pipe	1
4	7061.F80.001V.00.00	Breathing valve plate assembly	1
5	7061.F80.002V.00.00	Breathing valve pad	1
6	5789.05010.00.07	Blot	1
7	3000.F80.0011.00.00	Cylinder head cover pad	1
8	2190.F80.0012.00.00	Cylinder guide hood	1
9	5787.10075.05.10	Blot	4
10	2160.168.006V.00.00	Spark plug	1
11	0900.06102.00.01	Blot	2
12	0900.08037.00.01	Blot	2
13	0010.F80.001V.00.00	Cylinder head	1
14	3170.188.002V.00.00	Set pin	2
15	3020.F80.0020.00.00	Gasket, Cylinder head	1
16	5787.06018.00.01	Blot	2
17	2781.F80.0011.00.00	Cylinder head cover	1
18	7080.165.001V.00.00	Fuel filter	1



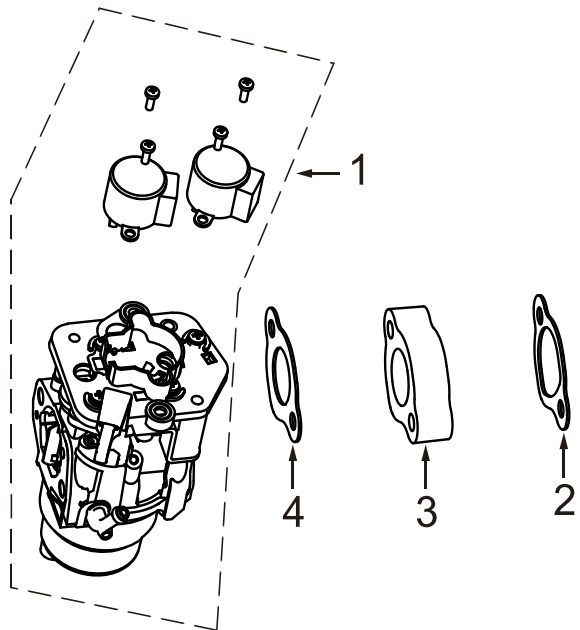
Engine Starter

No.	Part No.	Description	Quantity
1	2000.F80.0070.00.01	Starting hood	1
2	5787.06018.00.01	Blot	5
3	2000.T70.001V.00.03	Starting handle	1
4	2186.T48.001V.00.00	Handle cover	1
5	2000.T70.0040.00.02	Pull the plate	1
6	5787.06014.00.01	Blot	4
7	1220.528.R0020.00.00	Tension disc	1
8	7495.528.0020.00.00	Cable trim cover plate	1



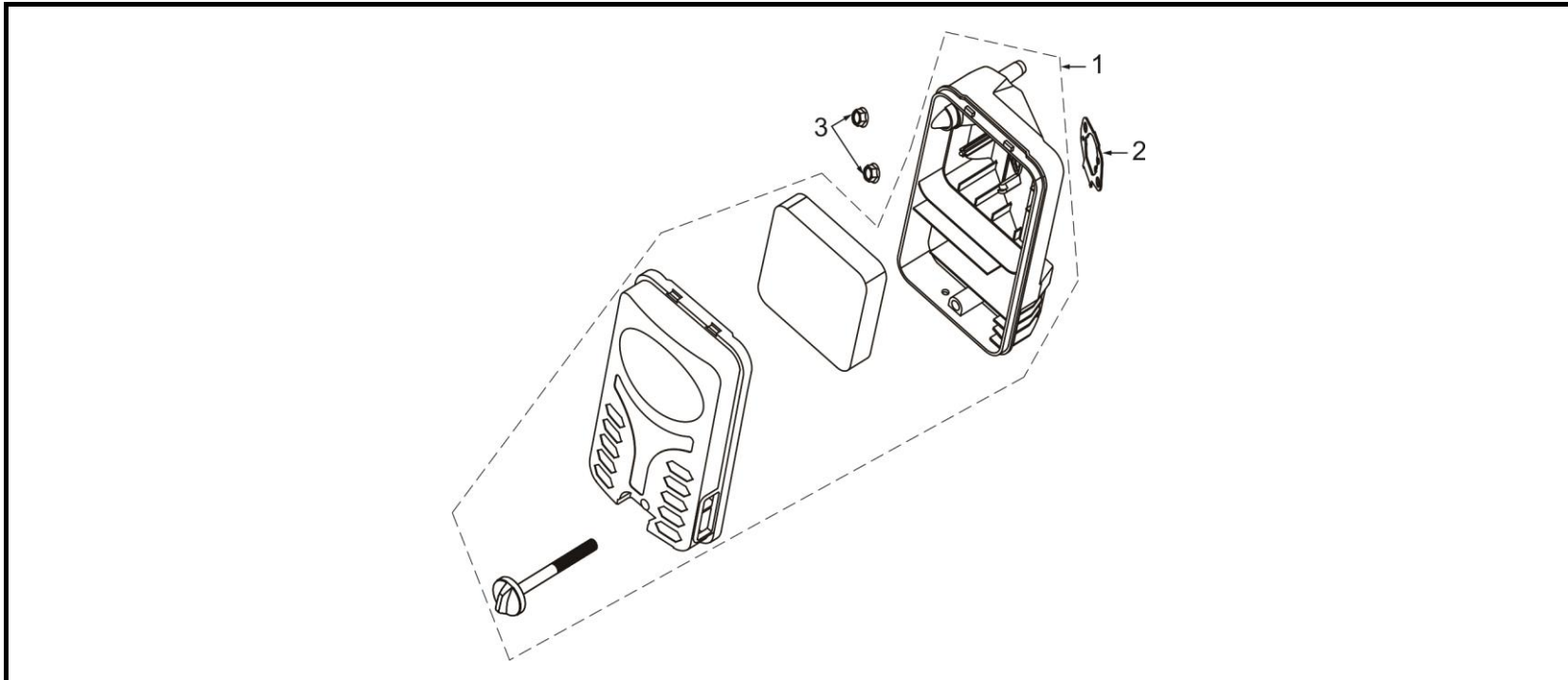
Air distribution

No.	Part No.	Description	Quantity
1	5787.06014.00.01	Blot	1
2	0085.165.001V.00.00	Oil seal, Intake valve	1
3	0107.F70.020V.00.00	Rocker shaft stop	1
4	0100.F80.001V.00.00	Rocker ass.	2
5	0105.K92.001V.00.00	Rocker shaft	2
6	0090.168.001V.00.00	Valve top cap	2
7	1120.165.0020.00.00	Valve collet	2
8	0060.165.0020.00.00	Valve spring seat	2
9	0040.F80.001V.00.00	Valve spring	2
10	0030.F80.001V.00.00	Exhaust valve	1
11	0020.F80.001V.00.00	Intake valve	1
12	0160.F80.001V.00.00	Pusher	2
13	1030.F68.001V.00.00	Tappet	2



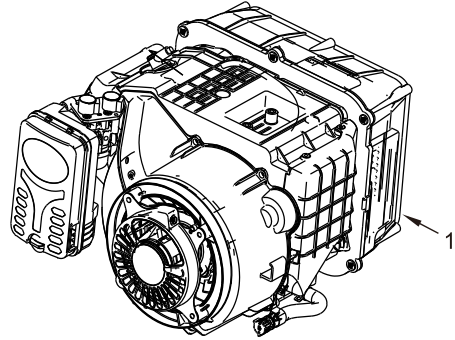
Carburetor parts

No.	Part No.	Description	Quantity
1	2260.F80.0220.00.00	Carburetor ass.	1
2	3060.F80.0020.00.00	Gasket, inlet port	1
3	2300.F80.0020.00.00	Carburetor block	1
4	3080.F80.0020.00.00	Gasket, carburetor	1



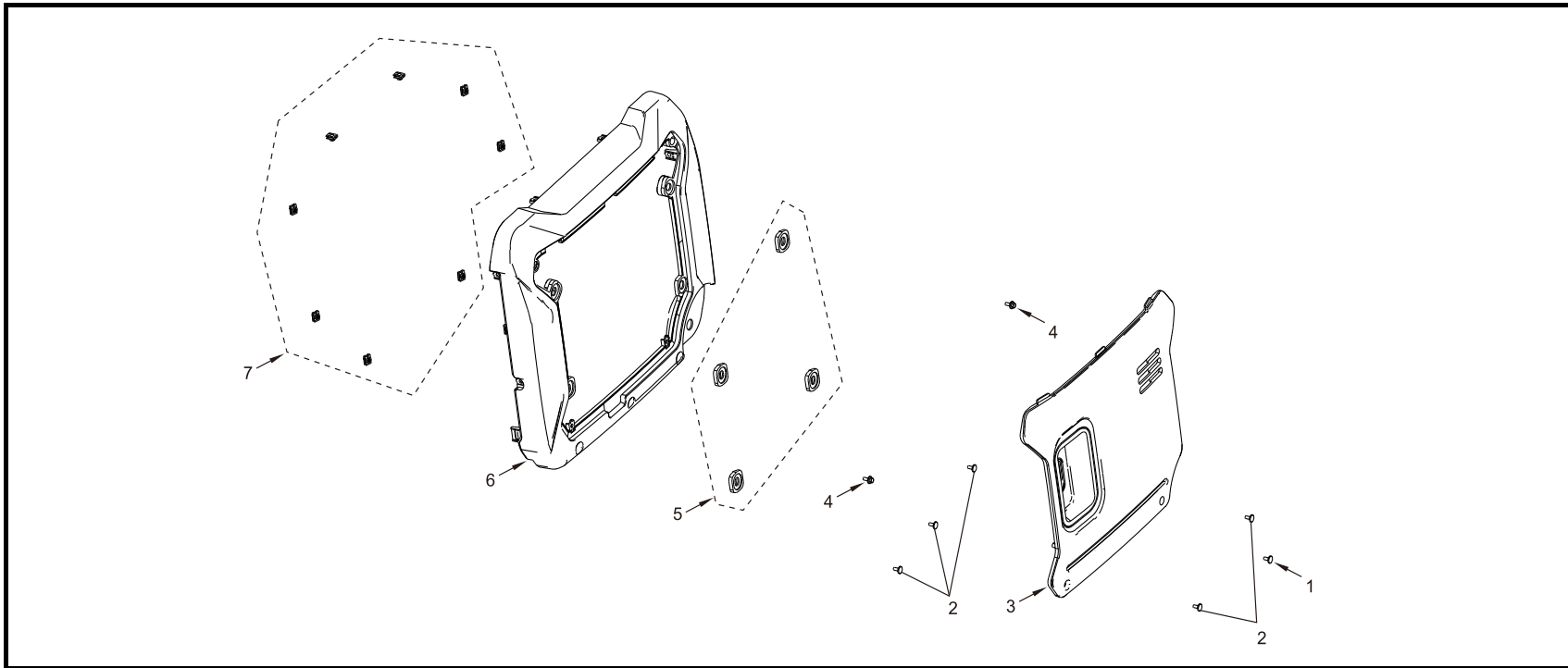
Air cleaner

No.	Part No.	Description	Quantity
1	2280.F80.0030.00.00	Air cleaner ass.	1
2	2340.188.001V.00.00	Empty strainer gasket	1
3	6177.06000.00.01	Nut	2



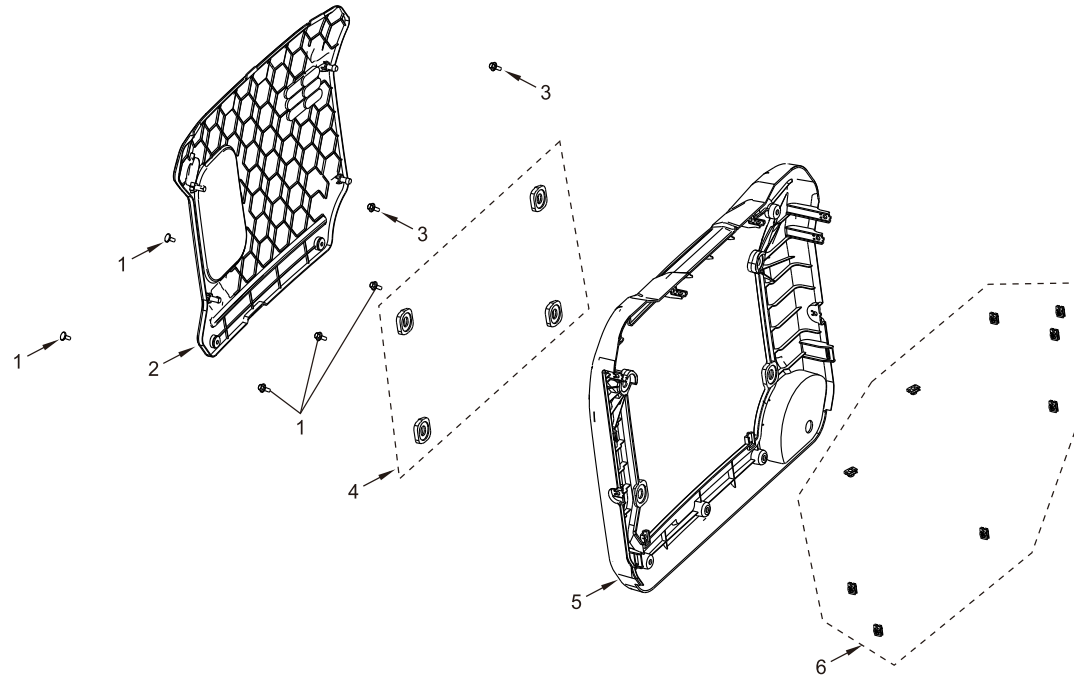
Engine

No.	Part No.	Description	Quantity
1	BP00.038.001.03	Engine	1
2	3340.528.001V.00.00	Engine bottom platel	1
3	3340.528.002V.00.00	Engine bottom plate2	1
4	5787.10025.05.01	Bolt	4
5	3360.528.001V.00.00	Damping pad 1	2
6	6177.08000.00.07	Nut	2
7	3360.487.001V.00.00	Damping pad 1	2



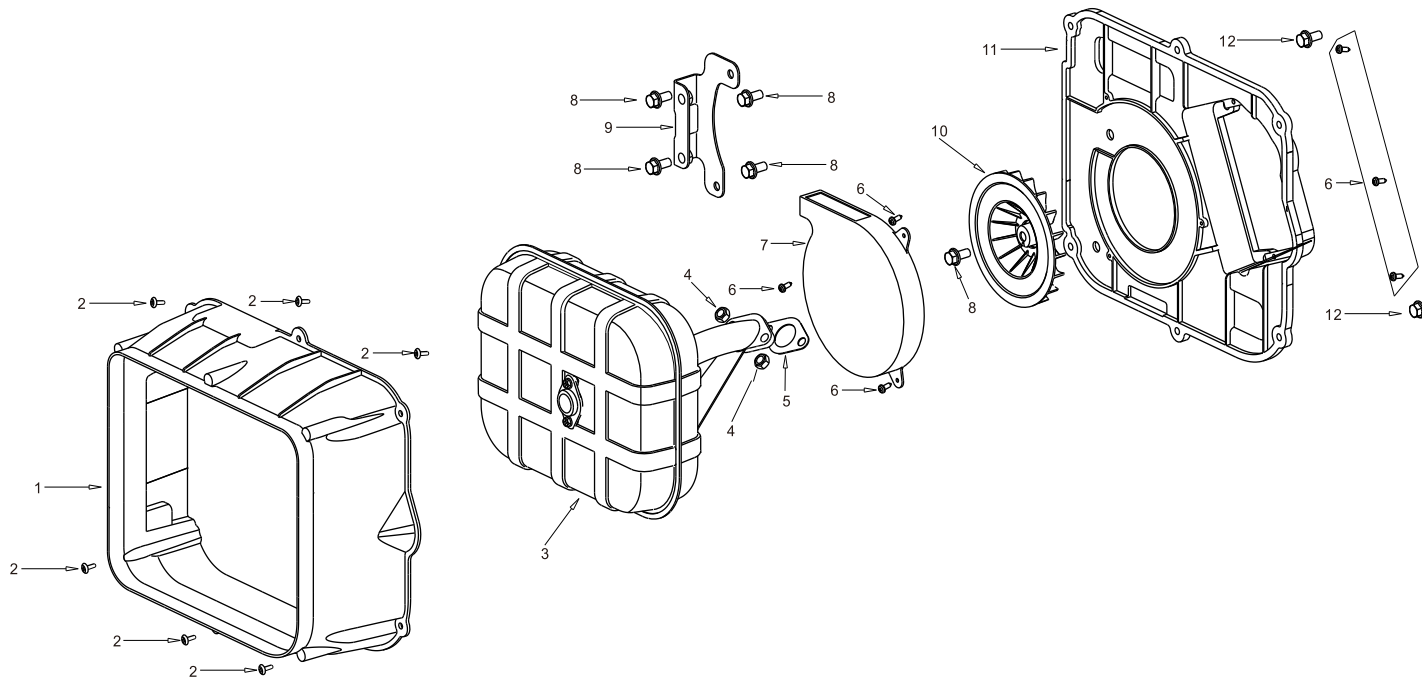
Right housing

No.	Part No.	Description	Quantity
1	0818.05010.00.07	Cross pan head screw	1
2	0818.05016.00.07	Cross pan head screw	5
3	5591.J24.0010.89.00	Right window panel assembly	1
4	5787.06012.00.07	Bolt	2
5	5522.467.002V.00.00	Fuel tank support plug	4
6	2242.J24.0010.00.00	Right panel assembly	1
7	6178.05000.01.04	Nut	8



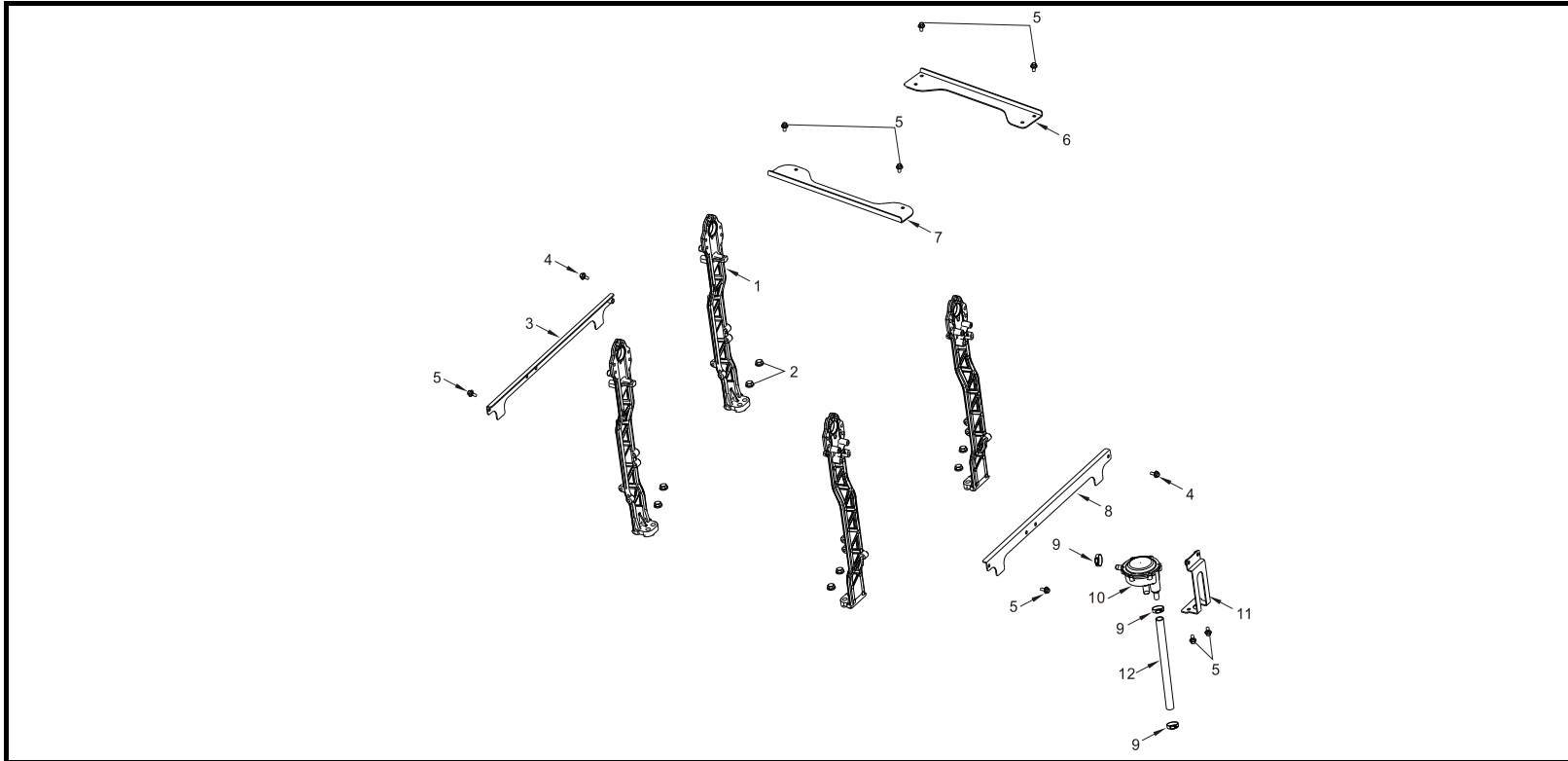
Left housing

No.	Part No.	Description	Quantity
1	0818.05016.00.07	Cross pan head screw	5
2	5590.J24.0010.89.00	left window panel assembly	1
3	5787.06016.00.07	Bolt	2
4	5522.467.002V.00.00	Fuel tank support plug	4
5	2232.J24.0010.00.00	Left panel assembly	1
6	6178.05000.01.04	Nut	8



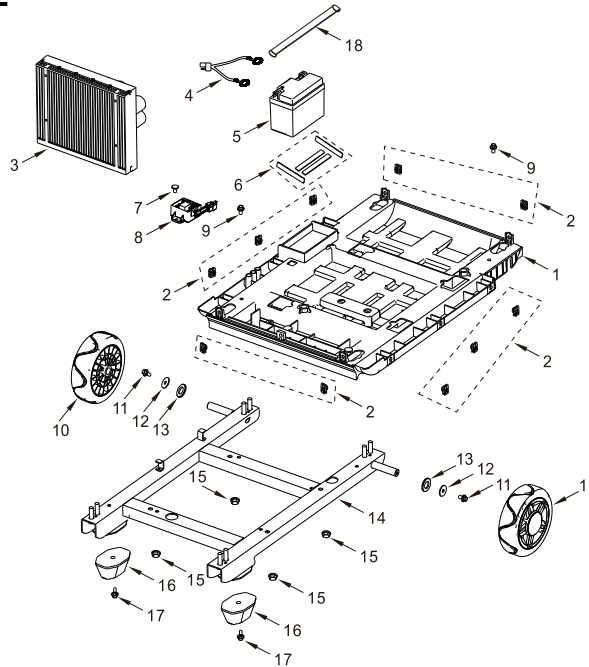
Muffler parts

No.	Part No.	Description	Quantity
1	2402.528.001V.00.00	Muffler cover	1
2	5787.05016.00.01	Bolt	6
3	2400.528.001V.00.00	Muffler assembly	1
4	6170.08000.00.01	Hexagon nut	2
5	3100.188.004V.00.00	Muffler gasket	1
6	0845.42013.00.07	Self tapping screw	6
7	2030.528.0011.63.12	Fan hood	1
8	5787.08016.00.01	Bolt	5
9	1689.528.001V.00.00	Muffler mounting bracket	1
10	2030.528.0010.63.11	Fan	1
11	9757.528.001V.00.00	The muffler housing clapboard	1
12	5787.06016.00.01	Bolt	2



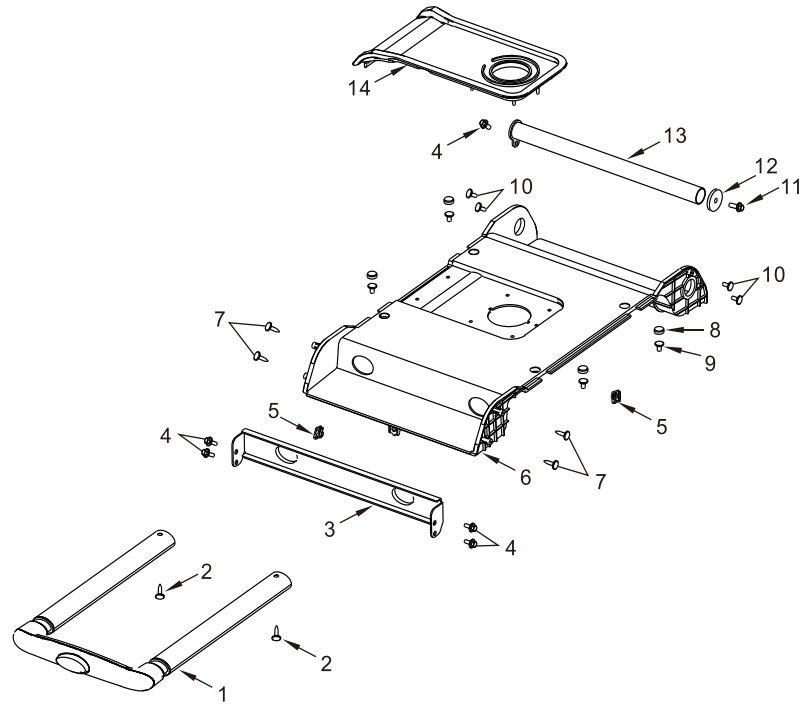
Frame

No.	Part No.	Description	Quantity
1	6690. J24. 0010. 00. 00	Stents	4
2	6177. 08000. 00. 07	Nut	8
3	2319. J24. 003V. D7. 00	Left rail	1
4	5787. 06020. 00. 07	Bolt	2
5	5787. 06012. 00. 07	Bolt	8
6	2319. J24. 002V. D7. 00	After the bar	1
7	2319. J24. 001V. D7. 00	Before the beam	1
8	2319. J24. 004V. D7. 00	Right rail	1
9	2360. 528. 0010. 00. 00	Embrace hoop	3
10	6659. J24. 0010. 00. 00	Two stage pressure reducing valve	1
11	8325. J24. 001V. D7. 00	Pressure reducing valve bracket	1
12	8797. J24. 0010. 00. 00	Gas hose	1



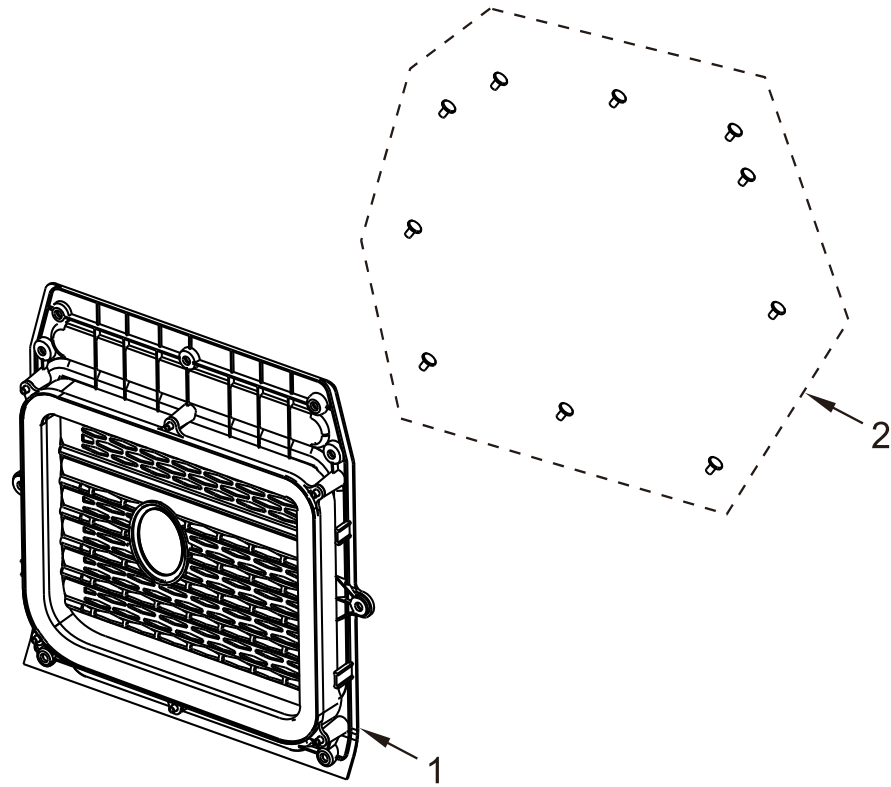
Floor

No.	Part No.	Description	Quantity
1	3340.J24.0010.00.00	Floor	1
2	6178.05000.01.04	Nut	10
3	2470.J24.0030.00.00	Inverter	1
4	6951.528.0030.00.00	Battery wiring harness	1
5	2461.188.001V.00.00	Lithium battery	1
6	2757.562.0010.00.00	Battery protection pad	4
7	0818.05016.00.07	Cross pan head screw	1
8	6854.528.0021.00.00	Voltage regulating rectifier	1
9	5787.06016.00.07	Bolt	1
10	7390.528.001V.00.00	Wheel	2
11	5787.06012.00.07	Bolt	2
12	4100.460.001V.20.07	Non standard flat pad	2
13	4100.460.0110.20.00	Flat mat	2
14	3340.J24.001V.D7.00	Floor	1
15	6177.08000.00.07	Nut	4
16	3350.528.001V.00.00	Suspension bridge	2
17	5787.06025.00.07	Bolt	2
18	9575.J24.0010.00.00	Battery hoop band	1



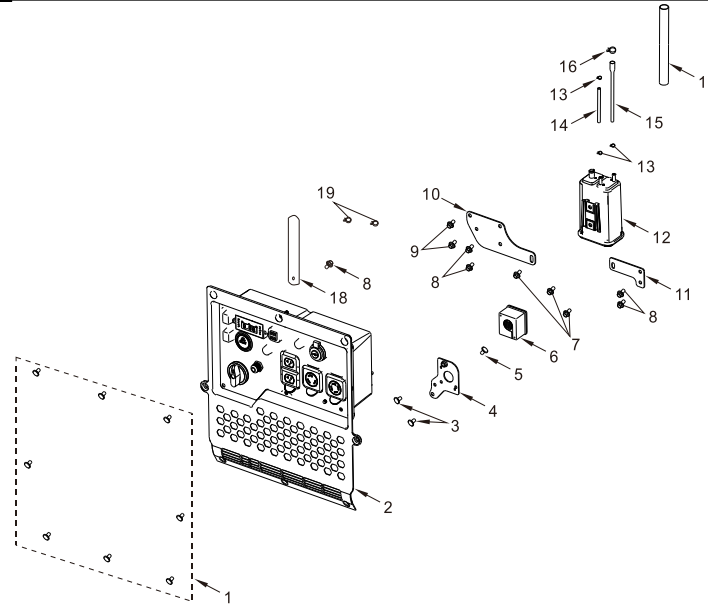
Pull rod/Housing

No.	Part No.	Description	Quantity
1	9874.528.0040.00.00	Pull handle assembly	1
2	0845.35095.00.07	Self tapping screw	2
3	8324.J24.001V.D7.00	Rod bracket	1
4	5787.06012.00.07	Bolt	5
5	6178.05000.01.04	Nut	2
6	9674.J24.0010.00.00	Upper shell	1
7	0845.42016.00.07	Self tapping screw	4
8	5010.562.004V.00.00	Plug	4
9	0818.05016.00.07	Cross pan head screw	4
10	0845.42012.01.01	Self tapping screw	4
11	5787.06016.00.07	Bolt	1
12	8795.J24.0010.00.00	Handle fixed gasket	1
13	4821.J24.001V.D7.00	Hand tube	1
14	3275.J24.0010.00.00	Tank pads	1



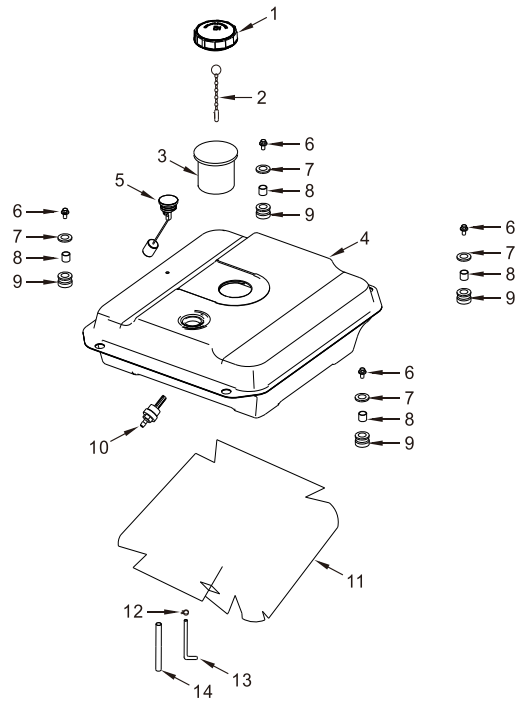
Tail cover

No.	Part No.	Description	Quantity
1	6566.J24.0010.00.00	Muffler side cover	1
2	0818.05016.00.07	Cross pan head screw	10



Panel

No.	Part No.	Description	Quantity
1	0818.05016.00.07	Cross pan head screw	8
2	3370.J24.0025.00.99	Control panel combination	1
3	6111.469.0020.00.00	Bolt	2
4	5529.J24.001V.D7.00	CO alarm bracket	1
5	6111.469.0010.00.00	Bolt	1
6	5528.460.0011.00.00	CO alarm	1
7	5789.05010.00.01	Bolt	3
8	5787.06016.00.07	Bolt	5
9	5787.06010.00.07	Bolt	2
10	4441.J24.001V.D7.00	Carbon tank bracket	1
11	8452.J24.002V.D7.00	Inverter bracket	1
12	4440.487.0040.00.00	Canister	1
13	2360.458.R002V.00.00	Ferrule	3
14	2330.J24.0010.00.00	Fuel evaporation collection line	1
15	2330.J24.0020.00.00	Fuel evaporation collection line	1
16	2360.458.R004V.00.00	Ferrule	1
17	2332.452.0010.00.00	Silicone protective sleeve	1
18	1220.528.R0010.00.00	Line pressing board	1
19	2360.458.R003V.00.00	Ferrule	2



Fuel tank components

No.	Part No.	Description	Quantity
1	3200.487.C01V.04.01	Fuel tank cap	1
2	3200.487.004V.00.02	Oil tank cover chain	1
3	3200.168.075V.00.05	Fuel filter screen	1
4	3201.528.C020.D7.00	Tank	1
5	3200.528.0010.00.06	Circular electronic oil mark	1
6	5787.06025.00.01	Bolt	4
7	4100.460.001V.20.07	Non standard flat pad	4
8	3213.460.001V.00.00	Tank bushing	4
9	3217.460.001V.00.00	Oil tank mounting rubber sleeve	4
10	3206.168.R001V.00.00	Fuel tank outlet nozzle	1
11	2436.J24.0010.00.00	Tank tinfoil	1
12	2360.458.R003V.00.00	Ferrule	1
13	2330.J24.C010.00.22	Tubing	1
14	2332.168.001V.00.00	Tubing protective sleeve	1