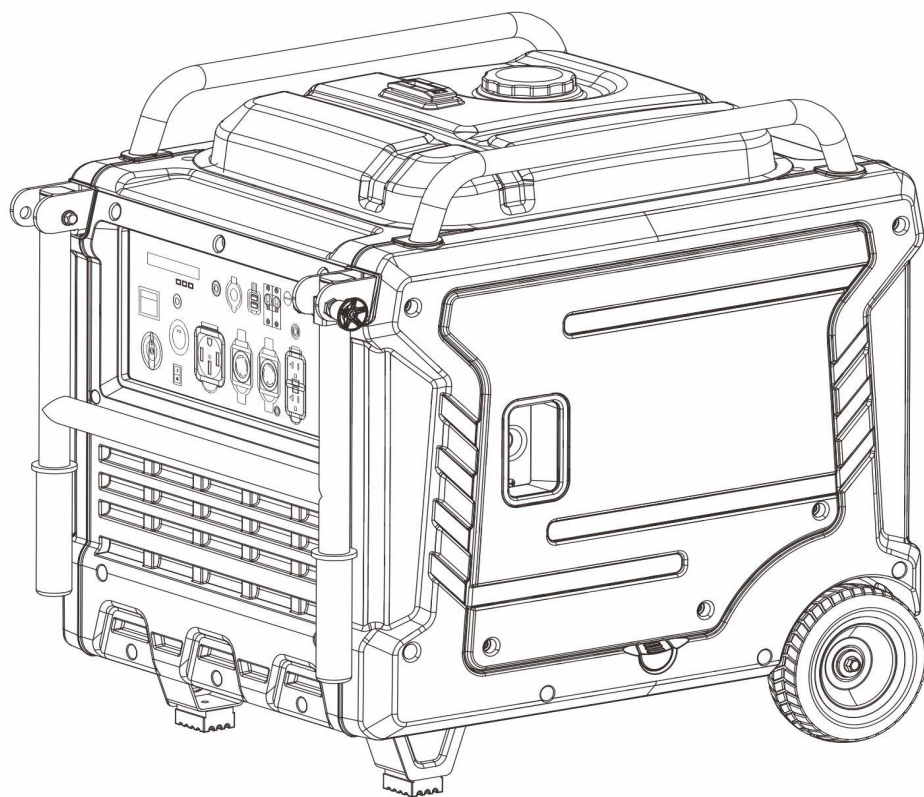


零部件图册

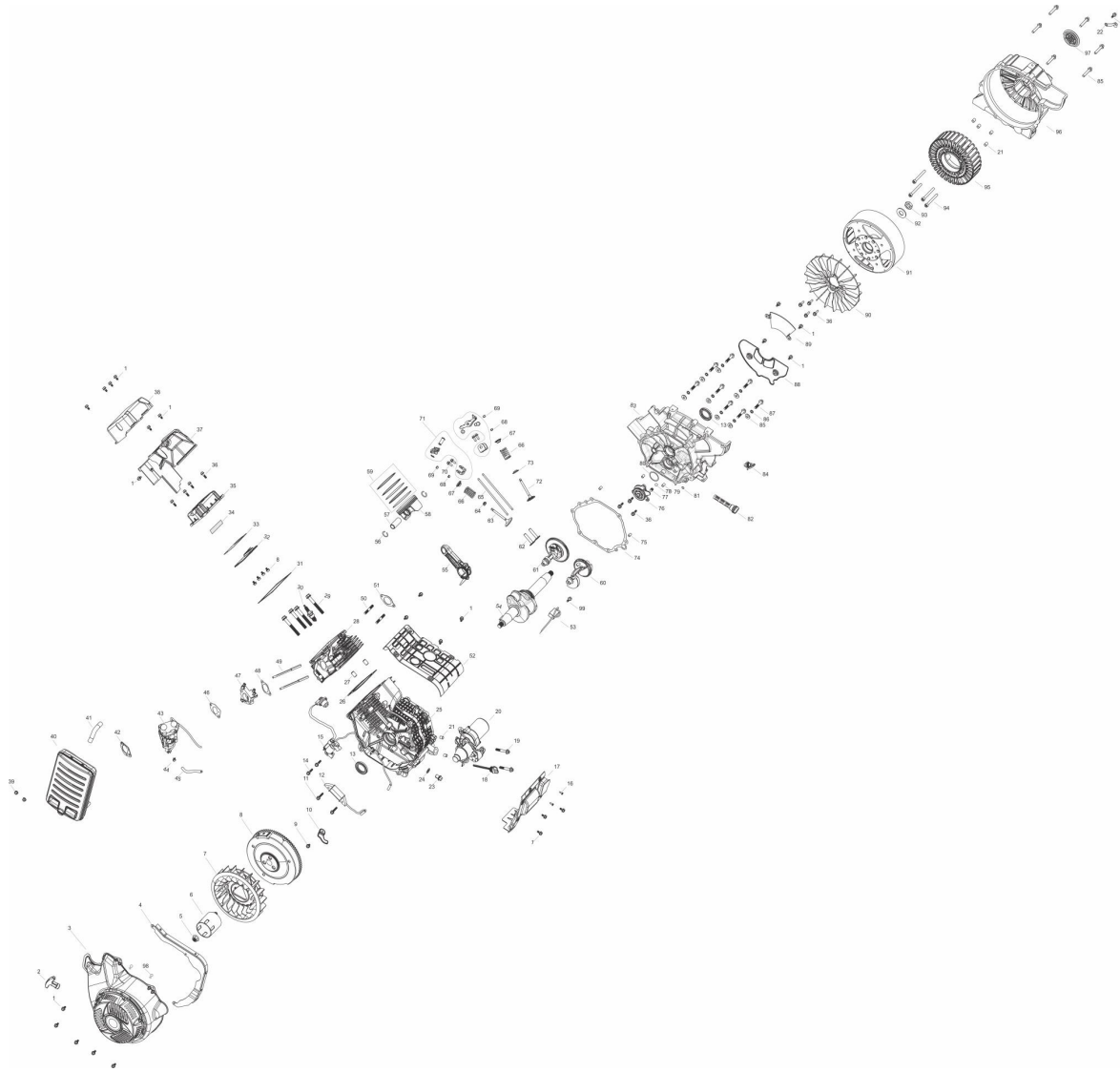
PARTS CATALOG



GM9000iE

Inverter Generator

ENGINE-EXPLOSIVE VIEW



ENGINE-ITEM NUMBER

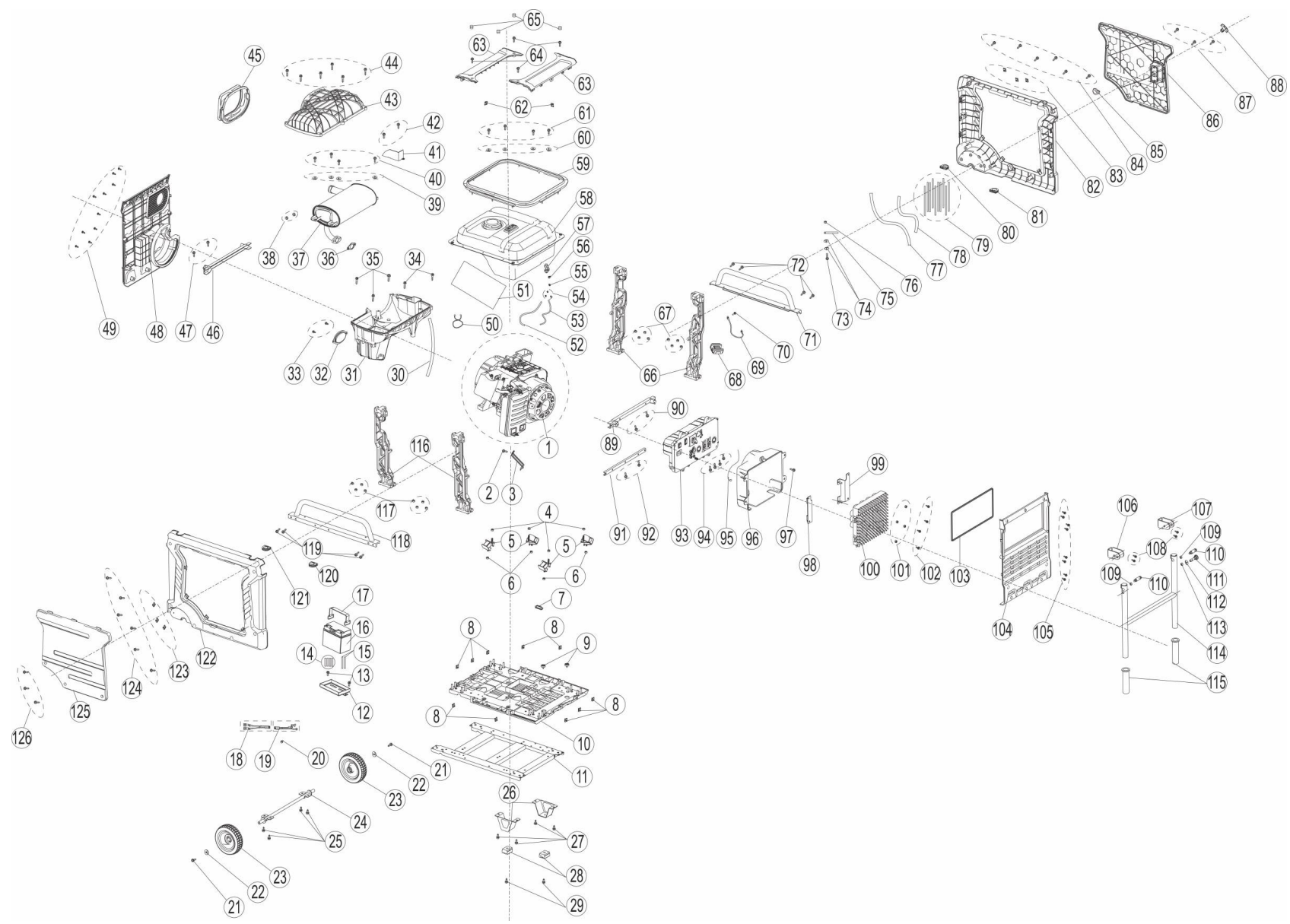
序号	零部件图号	零部件名称	Description	数量
No.	Part No.			Quantity
1	5787.06012.00.01	带盘螺栓 M6×12	Bolt	24
2	2004.168.0100.00.00	手柄	Hand shank	1
3	2000.T92.2010.04.02	机组起动机组件	Initiator	1
4	1005.B03.0010.00.00	箱体罩安装板	Mounting plate	1
5	6177.16000.06.01	带盘螺母 M16×1.5	Nut	1
6	2020.T92.001V.00.00	起动套	Starting sleeve	1
7	2030.T92.001V.63.00	飞轮风扇	Flywheel fan	1
8	2040.T92.004V.00.00	飞轮组件	Flywheel components	1
9	5787.06008.00.01	带盘螺栓 M6×8	Bolt	5
10	2090.T92.001V.00.00	压线板	Tension disc	1
11	5787.06030.00.01	带盘螺栓 M6×30	Bolt	2
12	2050.D88.001V.00.00	充电线圈组件	Charging coil assembly	1
13	3150.188.002V.00.00	油封35×52×7	Oil seal	2
14	5787.06025.00.01	带盘螺栓 M6×25	Bolt	2
15	2100.B03.0010.00.00	点火器	Igniter	1
16	0845.42013.00.01	自攻螺钉 4.2×13	Bolt	2
17	5313.B03.0010.00.00	启动电机罩	Starter motor cover	1
18	1230.T92.001V.16.00	机油尺组件	Oil gauge ass.	1
19	5787.08050.00.01	带盘螺栓 M8×50	Bolt	2
20	2070.T92.A02V.00.00	起动电机	Cranking motor	1
21	3170.T92.002V.00.00	定位销Φ10×12	Set pin	6
22	1220.188.R001V.00.00	压线板	Tension disc	1
23	1250.188.001V.00.20	放油螺栓 M12×1.5×15	Bolt	1
24	1260.188.001V.66.00	放油螺栓垫片 Φ12	Gasket for oil drain bolt	1
25	1000.T92.0040.00.00	曲轴箱体	Crankcase body	1
26	3020.T92.001V.00.00	缸头垫	Cylinder head gasket	1
27	3170.188.002V.00.00	定位销12×20	Set pin	2

28	0010.T92.001V.00.00	汽缸头	Cylinder head	1
29	M5787.10080.05.10	带盘螺栓 M10×1.25×80	Bolt	4
30	2160.168.006V.00.00	火花塞	Spark plug	1
31	3000.T92.001V.00.00	缸头盖垫	Cylinder head cover pad	1
32	7061.T92.001V.00.00	呼吸阀组件	Breathing valve plate assembly	1
33	7061.T92.002V.00.00	呼吸阀垫	Breathing valve pad	1
34	7080.T92.001V.00.00	机油滤网	Fuel filter	1
35	0001.T92.001V.00.00	缸头盖	Cylinder head cover	1
36	5787.06020.00.01	带盘螺栓 M6×20	Bolt	11
37	2190.B03.0010.00.00	缸头导风罩	Cylinder head air hood	1
38	5314.B03.0010.00.00	缸头盖外罩	Cylinder head cover outer cover	1
39	6177.06000.00.01	带盘防松螺母 M6	Nut	2
40	2280.T92.C02V.00.00	空滤器	Air cleaner ass.	1
41	2370.T92.001V.00.00	废气管	Exhaust pipe	1
42	3090.188.005V.00.00	空滤器垫片	Air filter gasket	1
43	2260.B03.0040.00.00	化油器	Carburetor ass.	1
44	2360.458.003V.00.00	带形油管夹Φ8	Ferrule	1
45	2330.154.C06V.00.21	油管	Oil tube	1
46	3080.T92.001V.00.00	化油器垫片	Gasket, carburetor	1
47	2300.T92.004V.00.00	化油器接块	Carburetor block	1
48	3060.T92.001V.00.00	进气口垫片	Gasket, inlet port	1
49	0900.68105.00.01	台阶双头螺栓6×8×105	Bolt	2
50	0900.08037.00.01	双头螺栓8×37	Bolt	2
51	3100.T92.001V.00.00	排气口密封垫	Exhaust port gasket	1
52	8654.B03.0010.00.00	箱体罩	Case cover	1
53	0135.T92.004V.00.00	机油报警器模块	Oil alarm module	1
54	0180.B03.0010.60.00	曲轴组件	Crankshaft ass.	1
55	0190.T92.001V.00.00	连杆组件	Connecting rod assembly	1
56	0230.188.001V.00.00	活塞销卡圈	Clip, Piston pin	2
57	0220.T92.001V.00.00	活塞销	Piston pin	1
58	0200.T92.001V.00.00	活塞	Piston	1
59	0210.T92.001V.00.00	活塞环组件	Piston ring ass.	1
60	1060.T92.001V.00.00	平衡轴	Balance shaft	1

61	1040.T92.001V.61.00	凸轮轴部件	Camshaft ass.	1
62	1030.188.001V.00.00	挺柱	Tappet	2
63	0020.T92.001V.00.00	进气门	Intake valve	1
64	0085.188.001V.00.00	挡油罩	Oil seal, Intake valve	1
65	0160.T92.002V.00.00	推杆	Pusher	2
66	0040.T92.001V.00.00	气门弹簧	Valve spring	2
67	0060.T92.001V.00.00	气门弹簧座	Valve spring seat	2
68	1120.T92.001V.00.00	气门锁夹	Valve collet	4
69	0090.188.001V.00.00	气门顶帽	Valve top cap	2
70	5787.06012.00.10	带盘螺栓 M6×12	Bolt	4
71	0100.T92.001V.00.00	摇臂组件	Rocker ass.	2
72	0030.T92.001V.00.00	排气门	Exhaust valve	1
73	0080.188.001V.00.00	排气门弹簧下座	Exhaust valve spring lower seat	1
74	3040.T92.001V.00.00	曲轴箱垫	Crankcase mat	1
75	3170.188.001V.00.00	定位销8×12	Set pin	4
76	6240.T92.001V.00.00	机油泵组件	Oil pump assembly	1
77	1150.T92.002V.00.00	机油泵阀门弹簧	Oil pump valve spring	1
78	1900.T92.001V.00.00	钢珠 Φ9.5	steel ball	1
79	3170.T92.R001V.00.00	定位销 Φ8×10	Set pin	2
80	3130.T92.002V.00.00	油泵O型橡胶圈	O rubber ring for oil pump	1
81	3130.T92.001V.00.00	合箱O型橡胶圈	Case O rubber ring	1
82	1240.T92.001V.00.00	机油过滤塞	Oil filter plug	1
83	1010.B03.0010.00.00	曲轴箱盖	Crankcase cover	1
84	1020.T92.001V.00.00	压力式机油报警器	Oil alarm	1
85	0097.08000.00.01	平垫圈Φ8	Flat washer	10
86	0093.08000.00.01	弹垫圈Φ8	Spring washer	10
87	5787.08042.00.01	带盘螺栓 M8×42	Bolt	14
88	2230.B03.0010.00.00	导风板A	Wind deflectorA	1
89	2230.B03.0020.00.00	导风板B	Wind deflectorB	1
90	2030.562.0010.00.00	风扇	Fan	1
91	4000.562.0010.00.01	电机转子组合	Motor rotor assembly	1
92	4100.562.001V.00.00	非标平垫 Φ18.5×Φ36.5×3	Flat gasket	1
93	6177.18000.06.07	带盘螺母M18×1.5	Nut	1

94	0070.08070.00.04.01	内六角螺栓8×70	Bolt	4
95	4000.562.0020.00.02	电机定子组合	Motor stator assembly	1
96	4060.562.001V.77.00	发电机后盖	Generator back cover	1
97	5010.562.002V.00.00	堵头	Plug	1
98	2365.188.002V.00.00	线卡B	ply-yarn drill	2
99	5787.06016.00.01	带盘螺栓 M6×16	Bolt	1

GENERATOR-EXPLOSIVE VIEW



GENERATOR-ITEM NUMBER				
序号	零部件图号	零部件名称	Description	数量
No.	Part No.			Quantity

1	BP00.092.001.00	DK460I 静音变频机动力	Engine	1
2	5787.06016.00.07	带盘螺栓 M6×16	Bolt	1
3	2290.T92.001V.00.00	空滤器支架	Air filter holder	1
4	6177.10000.05.07	带盘防松螺母 M10×1.25	Nut	4
5	3350.520.003V.00.01	减震座 A	shock-absorbing seat A	4
6	6177.08000.00.07	带盘防松螺母 M8	Nut	4
7	5010.562.006V.00.00	堵头	Plug	1
8	6178.06000.01.04	夹片螺母 M6	Nut	10
9	5010.562.005V.00.00	堵头	Plug	2
10	3340.562.001V.63.00	底板	Baseplate	1
11	3340.562.002V.D7.00	底板	Baseplate	1
12	3331.J01.0010.04.01	电瓶盒	Battery pack	1
13	5787.06016.00.07	带盘螺栓 M6×16	Bolt	2
14	2757.562.0010.00.00	电瓶保护垫 A	Battery protection pad A	4
15	2757.562.0020.00.00	电瓶保护垫 B	Battery protection pad B	2
16	2460.562.001V.00.00	电瓶	Storage battery	1
17	9575.562.001V.00.00	蓄电池箍带	Battery band	1
18	6951.562.0020.00.00	电瓶线束	Battery wiring harness	1

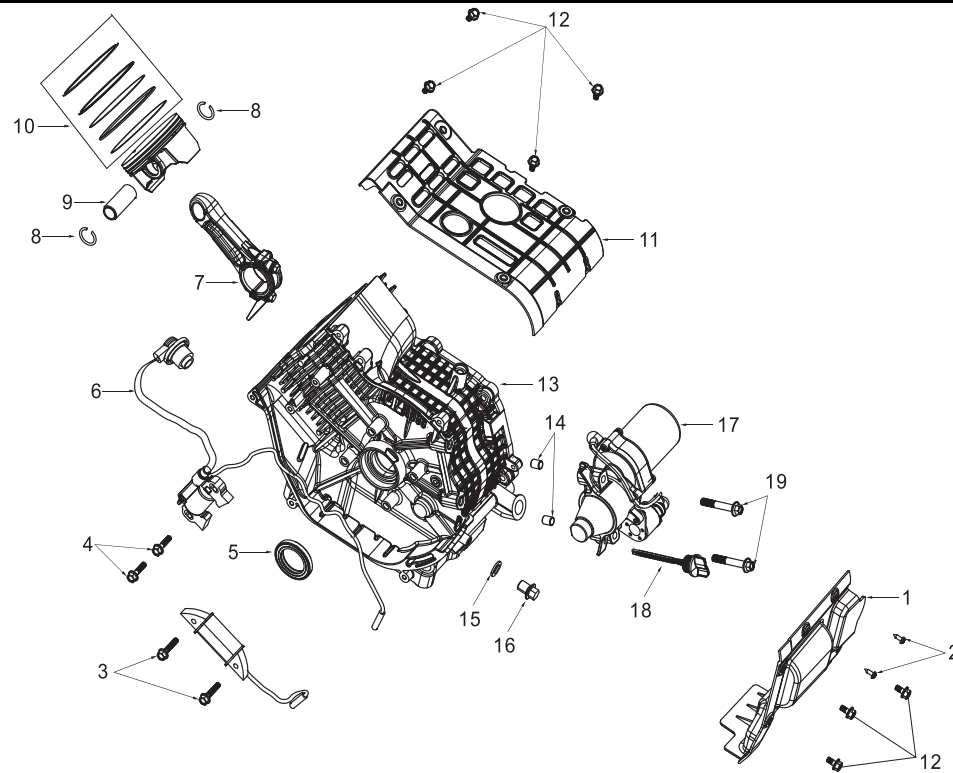
19	6951.562.0010.00.00	电瓶线束	Battery wiring harness	1
20	5787.06016.00.07	带盘螺栓 M6×16	Bolt	1
21	5787.08016.00.07	带盘螺栓 M8×16	Bolt	2
22	4100.700.M01V.20.07	大平垫 $\phi 8 * \phi 22 * 2$	Flat gaske	2
23	3332.562.0010.00.00	7寸实心轮	Wheel	2
24	3335.562.0010.00.00	长轮轴	Axle	1
25	5787.08016.00.07	带盘螺栓 M8×16	Bolt	4
26	3334.562.001V.04.00	支撑座	Supporting seat	2
27	5787.08012.00.07	带盘螺栓 M8×12	Bolt	4
28	3360.460.002V.00.00	减震垫	Shock pad	2
29	5787.06025.00.07	带盘螺栓 M6×25	Bolt	2
30	2436.562.0010.00.00	锡箔纸	Silver paper	1
31	2400.562.001V.00.02	消声器排风下罩总成	Muffler exhaust lower cover assembly	1
32	2428.562.001V.D7.00	消声器下罩盖板	Muffler lower cover	1
33	5787.06012.00.07	带盘螺栓 M6×12	Bolt	2
34	5787.08042.00.01	带盘螺栓 M8×42	Bolt	2
35	5787.08020.00.01	带盘螺栓 M8×20	Bolt	3
36	3100.T92.001V.00.00	排气口密封垫	Exhaust port gasket	1
37	2400.562.001V.00.00	消声器	Noise deadener	1
38	6177.08000.00.07	六角法兰面螺母	Nut	2
39	4100.700.M01V.20.07	平垫圈	Flat gaske	4
40	5787.08025.00.07	六角法兰面螺栓	Bolt	4
41	9757.562.002V.00.00	消声器外罩隔板	Baffle plate of muffler housing	1
42	5787.06012.00.07	带盘螺栓 M6×12	Bolt	2
43	2400.562.001V.00.01	消声器排风上罩总成	Muffler exhaust top cover assembly	1

44	5787.06025.00.07	带盘螺栓 M6×25	Bolt	6
45	2433.562.001V.00.00	消声器导风罩	Muffler air hood	1
46	2319.562.001V.D7.00	前后上横梁	Front and rear upper beam	1
47	5787.06016.00.07	带盘螺栓 M6×16	Bolt	2
48	6566.562.001V.00.00	电机盖板总成	Motor cover plate	1
49	5787.06020.00.07	带盘螺栓 M6×20	Bolt	10
50	1360.452.0010.00.00	塑料扭线环	Twisted wire ring	1
51	2436.562.0020.00.00	锡箔纸	Fuel tank	1
52	2330.154.C020.00.21	油管 4.5×8.5×190	Oil tube	1
53	2330.562.C010.00.00	燃油蒸发收集管	Fuel oil evaporation collection pipe	1
54	2360.458.R003V.00.00	带形油管夹Φ8	Ferrule	3
55	2360.458.R011V.00.00	带形油管夹Φ10.5	Ferrule	1
56	2360.458.R0150.00.00	带形油管夹Φ9.5	Ferrule	1
57	3210.460.D01V.00.00	油箱开关	Fuel tank switch	1
58	3200.562.C01V.P4.00	燃油箱总成	Fuel tank assembly	1
59	3230.562.001V.04.00	油箱胶条	Block gine	1
60	0096.06000.00.07	平垫圈Φ6	Flat gaske	4
61	5787.06025.00.07	带盘螺栓 M6×25	Bolt	4
62	6178.06000.01.04	夹片螺母	Nut	2
63	9674.562.001V.00.00	上盖板总成	Upper cover plate	2
64	5787.06020.00.07	带盘螺栓 M6×20	Bolt	4
65	5010.562.004V.00.00	堵头	Plug	4
66	6690.562.001V.00.00	支架	Holder	2
67	6177.08000.00.07	带盘防松螺母 M8	Nut	8
68	6854.562.001V.00.00	调压整流器	Variable voltage rectifier	1

69	3410.467.0040.00.00	接地线	Ground lead	1
70	5787.06016.00.07	带盘螺栓 M6×16	Bolt	1
71	1616.562.001V.D7.00	左右横梁	Left and right beam	1
72	5787.08020.00.07	带盘螺栓 M8×20	Bolt	4
73	5787.08040.00.07	带盘螺栓 M8×40	Bolt	1
74	4100.700.M01V.20.07	大平垫 $\phi 8*\phi 22*2$	Flat gaske	2
75	1220.528.R0010.00.00	压线板	Tension disc	1
76	6177.08000.00.07	带盘防松螺母 M8	Nut	1
77	2335.562.0010.00.00	波纹管 $\Phi 25*600$	Corrugated pipe	1
78	2335.458.008V.00.00	波纹管 $\Phi 25*180$	Corrugated pipe	1
79	4080.520.001V.04.00	尼龙扎带	Cingulum	10
80	5010.562.003V.00.00	堵头	Plug	1
81	5010.562.007V.00.00	堵头	Plug	1
82	2222.562.001V.00.00	右外壳	Right shell	1
83	6178.06000.01.04	夹片螺母	Nut	3
84	5787.06020.00.07	带盘螺栓 M6×20	Bolt	6
85	5010.562.001V.00.00	放油螺栓堵头	Plug	1
86	5596.562.0010.P4.00	右侧外观盖板	Right exterior cover plate	1
87	5787.06020.00.07	带盘螺栓 M6×20	Bolt	3
88	2004.168.0100.00.00	手柄	Hand shank	1
89	2319.562.001V.D7.00	前后上横梁	Front and rear upper beam	1
90	5787.06016.00.07	带盘螺栓 M6×16	Bolt	2
91	2319.562.002V.D7.00	前下横梁	Bottom end rail	1
92	5787.06016.00.07	带盘螺栓 M6×16	Bolt	2
93	3370.562.0020.00.99	面板	Panel	1

94	5787.06030.00.07	带盘螺栓 M6×30	Bolt	4
95	0234.562.0010.00.00	温度传感器	Temperature sensor	1
96	2002.562.001V.00.00	导风罩总成	Wind scooper	1
97	5787.06016.00.07	带盘螺栓 M6×16	Bolt	1
98	8452.562.001V.D7.00	逆变器左支架	Inverter left bracket	1
99	8452.562.002V.D7.00	逆变器右支架	Inverter right bracket	1
100	2470.562.0010.00.00	逆变器	Inverter	1
101	6177.06000.00.07	带盘防松螺母 M6	Nut	4
102	5787.06020.00.07	带盘螺栓 M6×20	Bolt	4
103	3370.562.001V.04.12	面板胶条	Block gine	1
104	6656.562.001V.00.00	逆变器盖板总成	Inverter overlay board assembly	1
105	5787.06020.00.07	带盘螺栓 M6×20	Bolt	8
106	2129.562.002V.D7.00	手把固定座（右）	Fixing seat (right)	1
107	2129.562.001V.D7.00	手把固定座（左）	Fixing seat (left)	1
108	5787.08025.00.07	六角法兰面螺栓	Bolt	4
109	6177.10000.05.07	带盘防松螺母 M10×1.25	Nut	2
110	5960.562.001V.00.00	手把固定销	Handle pin	2
111	7374.460.001v.00.00	快速释放销	Quick release pin	1
112	4100.460.002V.20.00	非标平垫 13*24*1.5	Non-standard flat pad	1
113	0366.168.001V.00.00	六角螺母	Nut	1
114	4821.562.001V.00.00	手把管总成	Handle pipe assembly	1
115	7136.562.001V.00.00	手把胶套	Hand the glue sets	2
116	6690.562.001V.00.00	支架	Holder	2
117	6177.08000.00.07	带盘防松螺母 M8	Nut	8
118	1616.562.001V.D7.00	左右横梁	Left and right beam	1

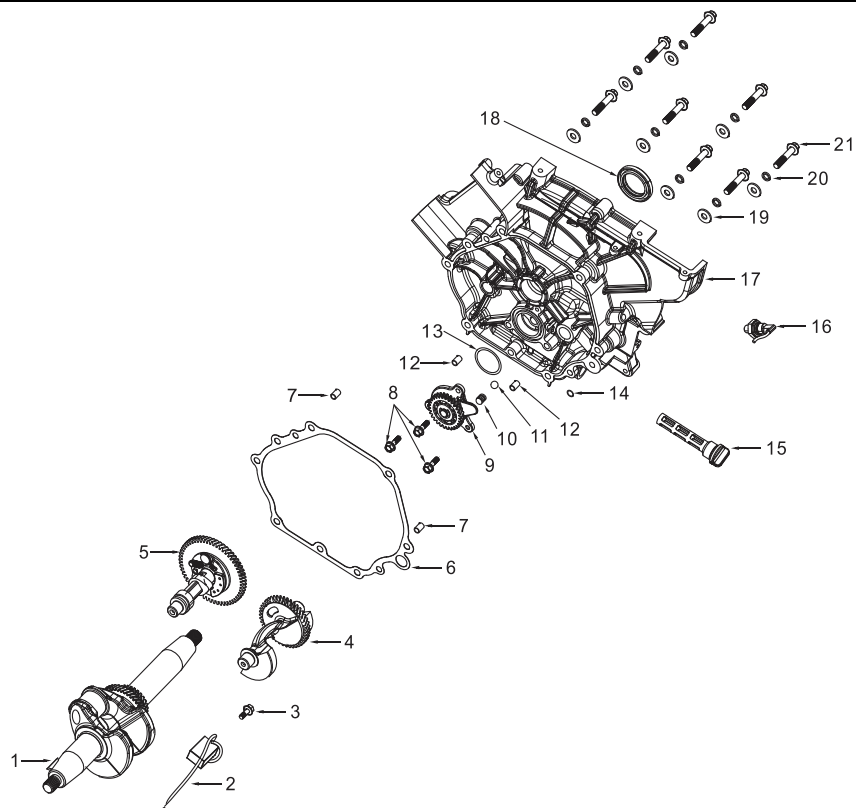
119	5787.08020.00.07	带盘螺栓 M8×20	Bolt	4
120	5010.562.007V.00.00	堵头	Plug	1
121	5010.562.003V.00.00	堵头	Plug	1
122	2220.562.001V.00.00	左外壳	Left shell	1
123	6178.06000.01.04	夹片螺母 M6	Nut	3
124	5787.06020.00.07	带盘螺栓 M6×20	Bolt	6
125	5596.562.0020.P4.00	左侧外观盖板	Left exterior cover plate	1
126	5787.06020.00.07	带盘螺栓 M6×20	Bolt	3



曲轴箱 (Crankcase)

序号 No.	零部件图号 Part No.	零部件名称	Description	数量 Quantity
1	5313.B03.0010.00.00	启动电机罩	Starter motor cover	1
2	0845.42013.00.01	自攻螺钉 4.2×13	Bolt	2
3	5787.06030.00.01	带盘螺栓 M6×30	Bolt	2
4	5787.06025.00.01	带盘螺栓 M6×25	Bolt	2
5	3150.188.002V.00.00	油封35×52×7	Oil seal	1
6	2100.B03.0020.00.00	点火器	Igniter	1
7	0190.T92.001V.00.00	连杆组件	Connecting rod assembly	1
8	0230.188.001V.00.00	活塞销卡圈	Clip,Piston pin	2
9	0220.T92.001V.00.00	活塞销	Piston pin	1
10	0210.T92.001V.00.00	活塞环组件	Piston ring ass.	1

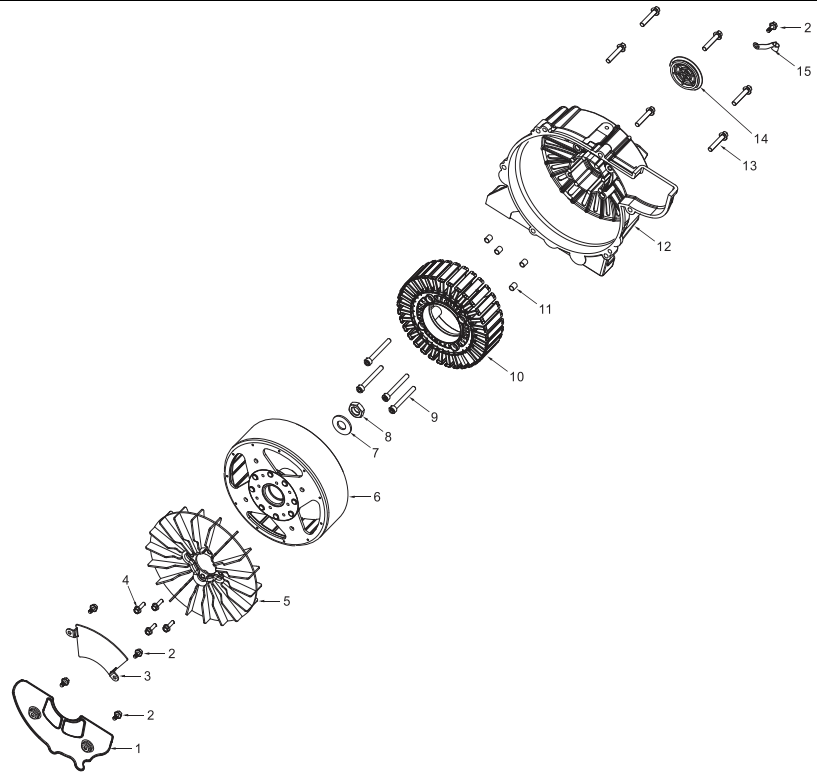
11	8654.B03.0010.00.00	箱体罩	Case cover	1
12	5787.06012.00.01	带盘螺栓 M6×12	Bolt	7
13	1000.T92.0040.00.00	曲轴箱体	Crankcase body	1
14	3170.T92.002V.00.00	定位销 Φ10×12	Set pin	2
15	1260.188.001V.66.00	放油螺栓垫片 Φ12	Gasket for oil drain bolt	1
16	1250.188.001V.00.20	放油螺栓 M12×1.5×15	Bolt	1
17	2070.T92.A02V.00.00	起动机	Cranking motor	1
18	1230.T92.001V.16.00	机油尺组件	Oil gauge ass.	1
19	5787.08050.00.01	带盘螺栓 M8×50	Bolt	2



曲轴箱盖 (Crankcase cover)

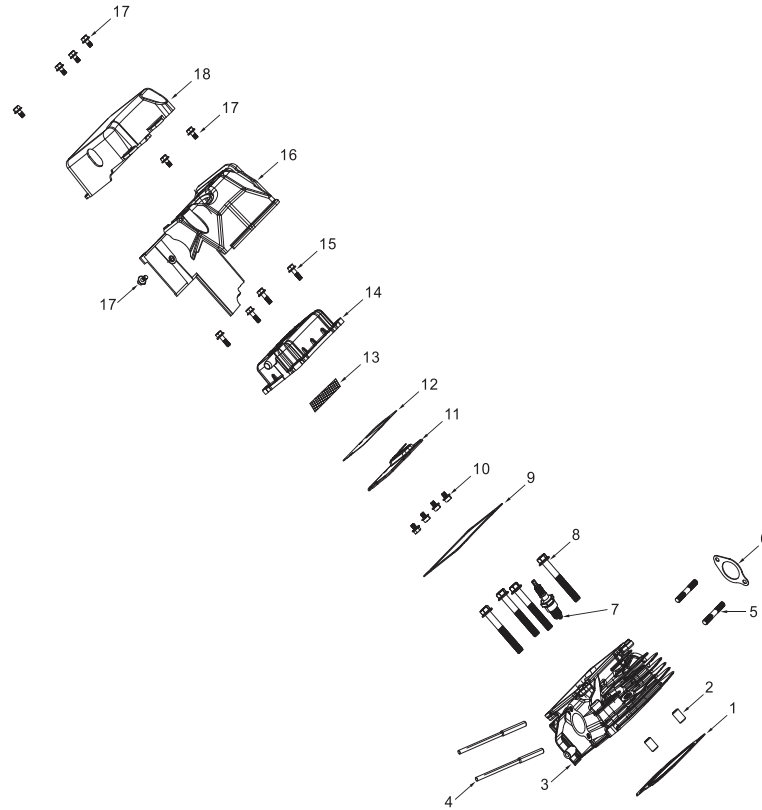
序号 No.	零部件图号 Part No.	零部件名称	Description	数量 Quantity
1	0180.B03.0010.60.00	曲轴组件	Crankshaft ass.	1
2	0135.T92.004V.00.00	机油报警器模块	Oil alarm module	1
3	5787.06016.00.01	带盘螺栓 M6×16	Bolt	1
4	1060.T92.001V.00.00	平衡轴	Balance shaft	1
5	1040.T92.001V.61.00	凸轮轴部件	Camshaft ass.	1
6	3040.T92.001V.00.00	曲轴箱垫	Crankcase mat	1
7	3170.188.001V.00.00	定位销8×12	Set pin	2
8	5787.06020.00.01	带盘螺栓 M6×20	Bolt	3
9	6240.T92.001V.00.00	机油泵组件	Oil pump assembly	1
10	1150.T92.002V.00.00	机油泵阀门弹簧	Oil pump valve spring	1

11	1900.T92.001V.00.00	钢珠 Φ9.5	steel ball	1
12	3170.T92.R001V.00.00	定位销 Φ8×10	Set pin	2
13	3130.T92.002V.00.00	油泵O型橡胶圈	O rubber ring for oil pump	1
14	3130.T92.001V.00.00	合箱O型橡胶圈	Case O rubber ring	1
15	1240.T92.001V.00.00	机油过滤塞	Oil filter plug	1
16	1020.T92.001V.00.00	压力式机油报警器	Oil alarm	1
17	1010.B03.0010.00.00	曲轴箱盖	Crankcase cover	1
18	3150.188.002V.00.00	油封35×52×7	Oil seal	1
19	0097.08000.00.01	平垫圈 Φ8	Flat washer	8
20	0093.08000.00.01	弹垫圈 Φ8	Spring washer	8
21	5787.08042.00.01	带盘螺栓 M8×42	Bolt	8



电机组件 (Motor assembly)

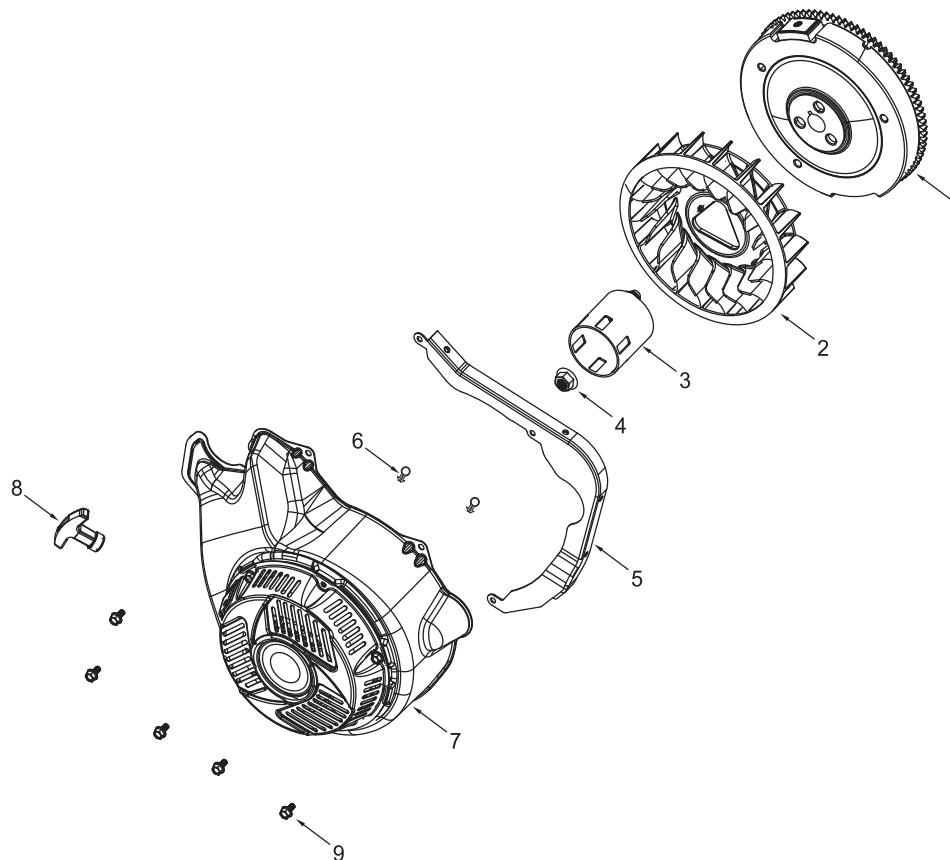
序号 No.	零部件图号 Part No.	零部件名称	Description	数量 Quantity
1	2230.B03.0010.00.00	导风板A	Wind deflectorA	1
2	5787.06012.00.01	带盘螺栓 M6×12	Bolt	5
3	2230.B03.0020.00.00	导风板B	Wind deflectorB	1
4	5787.06020.00.01	带盘螺栓 M6×20	Bolt	4
5	2030.562.0010.00.00	风扇	Fan	1
6	4000.562.0010.00.01	电机转子组合	Motor rotor assembly	1
7	4100.562.001V.00.00	非标平垫 $\Phi 18.5 \times \Phi 36.5 \times 3$	Flat gasket	1
8	6177.18000.06.07	带盘螺母M18×1.5	Nut	1
9	0070.08070.00.04.01	内六角螺栓8×70	Bolt	4
10	4000.562.0030.00.02	电机定子组合	Motor stator assembly	1
11	3170.T92.002V.00.00	定位销 $\Phi 10 \times 12$	Set pin	4
12	4060.562.001V.77.00	发电机后盖	Generator back cover	1
13	5787.08042.00.01	带盘螺栓 M8×42	Bolt	6
14	5010.562.002V.00.00	堵头	Plug	1
15	1220.188.R001V.00.00	压线板	Tension disc	1



缸头组件 (Cylinder head parts)

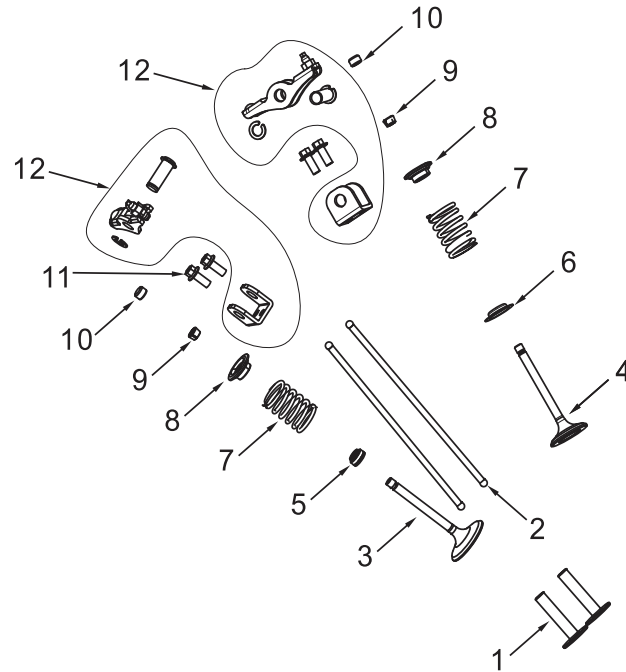
序号 No.	零部件图号 Part No.	零部件名称	Description	数量 Quantity
1	3020.T92.001V.00.00	缸头垫	Cylinder head gasket	1
2	3170.188.002V.00.00	定位销12×20	Set pin	2
3	0010.T92.001V.00.00	汽缸头	Cylinder head	1
4	0900.68105.00.01	台阶双头螺栓6×8×105	Bolt	2
5	0900.08037.00.01	双头螺栓8×37	Bolt	2
6	3100.T92.001V.00.00	排气口密封垫	Exhaust port gasket	1
7	2160.168.006V.00.00	火花塞	Spark plug	1
8	M5787.10080.05.10	带盘螺栓 M10×1.25×80	Bolt	4
9	3000.T92.001V.00.00	缸头盖垫	Cylinder head cover pad	1
10	5787.06008.00.01	带盘螺栓 M6×8	Bolt	4

11	7061.T92.001V.00.00	呼吸阀组件	Breathing valve plate assembly	1
12	7061.T92.002V.00.00	呼吸阀垫	Breathing valve pad	1
13	7080.T92.001V.00.00	机油滤网	Fuel filter	1
14	0001.T92.001V.00.00	缸头盖	Cylinder head cover	1
15	5787.06020.00.01	带盘螺栓 M6×20	Bolt	4
16	2190.B03.0010.00.00	缸头导风罩	Cylinder head air hood	1
17	5787.06012.00.01	带盘螺栓 M6×12	Bolt	7
18	5314.B03.0010.00.00	缸头盖外罩	Cylinder head cover outer cover	1



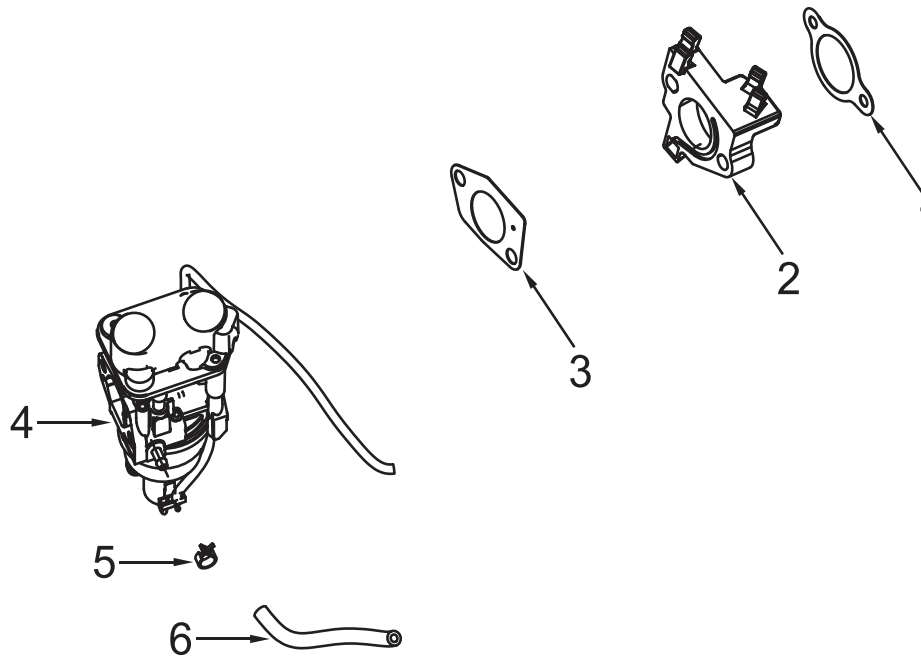
单机起动器 (Engine Starter)

序号	零部件图号	零部件名称	Description	数量
No.	Part No.			Quantity
1	2040.T92.004V.00.00	飞轮组件	Flywheel components	1
2	2030.T92.001V.63.00	飞轮风扇	Flywheel fan	1
3	2020.T92.001V.00.00	起动套	Starting sleeve	1
4	6177.16000.06.01	带盘螺母 M16×1.5	Nut	1
5	1005.B03.0010.00.00	箱体罩安装板	Mounting plate	1
6	2365.188.002V.00.00	线卡B	ply-yarn drill	2
7	2000.T92.2010.04.02	机组起动器组件	Initiator	1
8	2004.168.0100.00.00	手柄	Hand shank	1
9	5787.06012.00.01	带盘螺栓 M6×12	Bolt	5



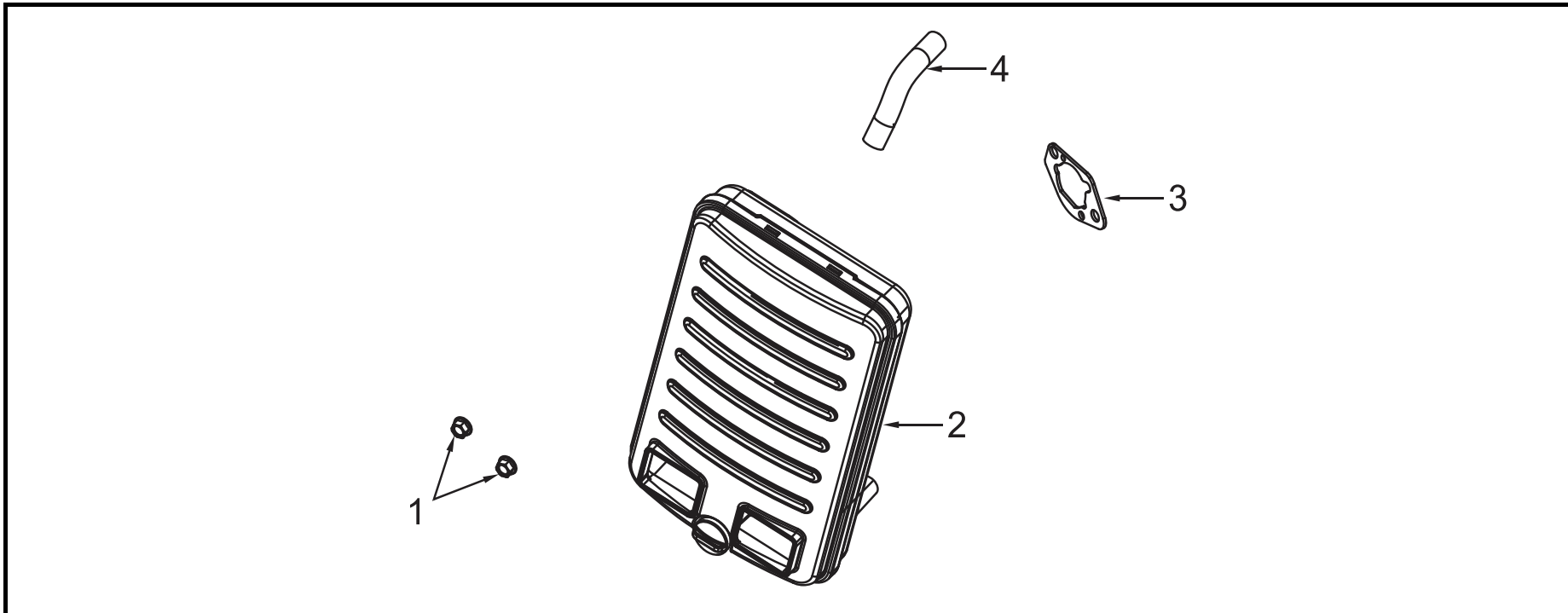
配气 (Air distribution)

序号 No.	零部件图号 Part No.	零部件名称	Description	数量 Quantity
1	1030.188.001V.00.00	挺柱	Tappet	2
2	0160.T92.002V.00.00	推杆	Pusher	2
3	0020.T92.001V.00.00	进气门	Intake valve	1
4	0030.T92.001V.00.00	排气门	Exhaust valve	1
5	0085.188.001V.00.00	挡油罩	Oil seal, Intake valve	1
6	0080.188.001V.00.00	排气门弹簧下座	Exhaust valve spring lower seat	1
7	0040.T92.001V.00.00	气门弹簧	Valve spring	2
8	0060.T92.001V.00.00	气门弹簧座	Valve spring seat	2
9	1120.T92.001V.00.00	气门锁夹	Valve collet	4
10	0090.188.001V.00.00	气门顶帽	Valve top cap	2
11	5787.06012.00.10	带盘螺栓 M6×12	Bolt	4
12	0100.T92.001V.00.00	摇臂组件	Rocker ass.	2



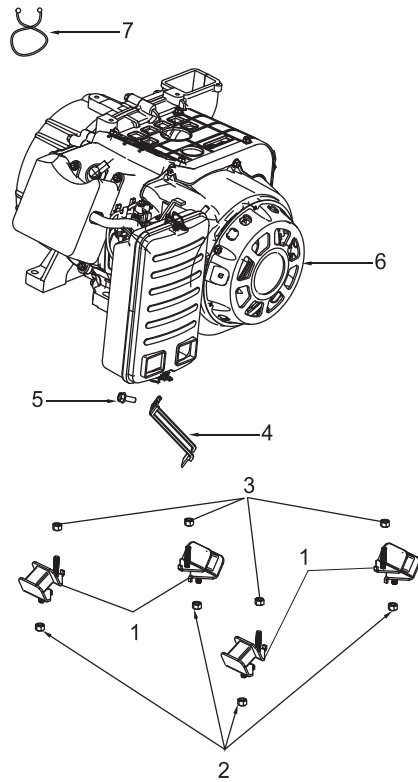
化油器部件 (Carburetor parts)

序号 No.	零部件图号 Part No.	零部件名称	Description	数量 Quantity
1	3060.T92.001V.00.00	进气口垫片	Intake gasket	1
2	2300.T92.004V.00.00	化油器接块	Carburetor block	1
3	3080.T92.001V.00.00	化油器垫片	Gasket, carburetor	1
4	2260.B03.0050.00.00	化油器	Carburetor ass.	1
5	2360.458.R003V.00.00	带形油管夹Φ8	Ferrule	1
6	2330.154.C06V.00.22	油管	Oil tube	1



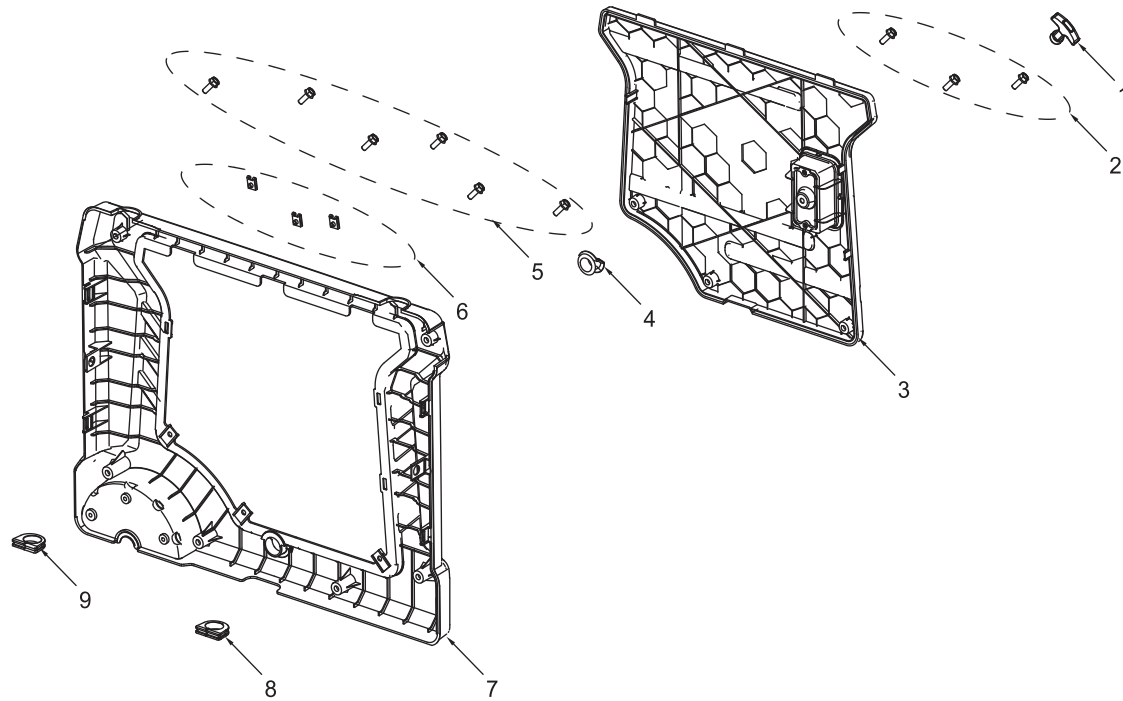
空滤器 (Air cleaner)

序号 No.	零部件图号 Part No.	零部件名称	Description	数量 Quantity
1	6177.06000.00.01	带盘防松螺母 M6	Nut	2
2	2280.T92.C02V.00.00	空滤器	Air cleaner ass.	1
3	3090.188.005V.00.00	空滤器垫片	Air filter gasket	1
4	2370.T92.001V.00.00	废气管	Exhaust pipe	1



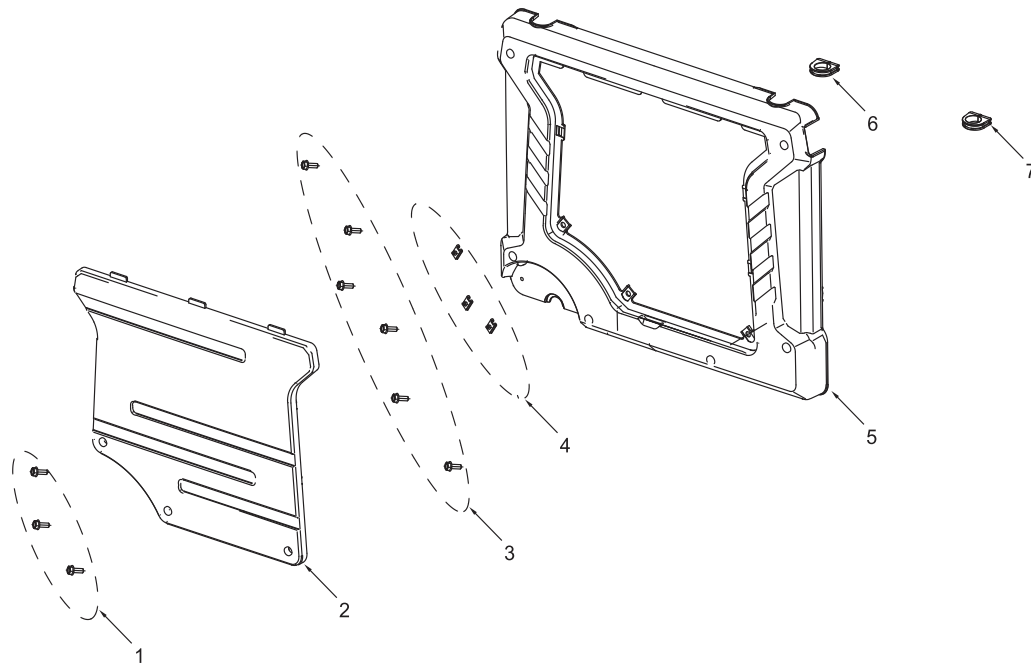
动力 (Engine)

序号 No.	零部件图号 Part No.	零部件名称	Description	数量 Quantity
1	3350.520.003V.00.01	减震座A	shock-absorbing seat A	4
2	6177.08000.00.07	带盘防松螺母M8	Nut	4
3	6177.10000.05.07	带盘防松螺母M10×1.25	Nut	4
4	2290.T92.001V.00.00	空滤器支架	Air filter holder	1
5	5787.06016.00.07	带盘螺栓M6×16	Bolt	1
6	BP00.092.001.02	DK460I 静音变频器动力	Engine	1
7	1360.452.0010.00.00	塑料扭线环	Twisted wire ring	1



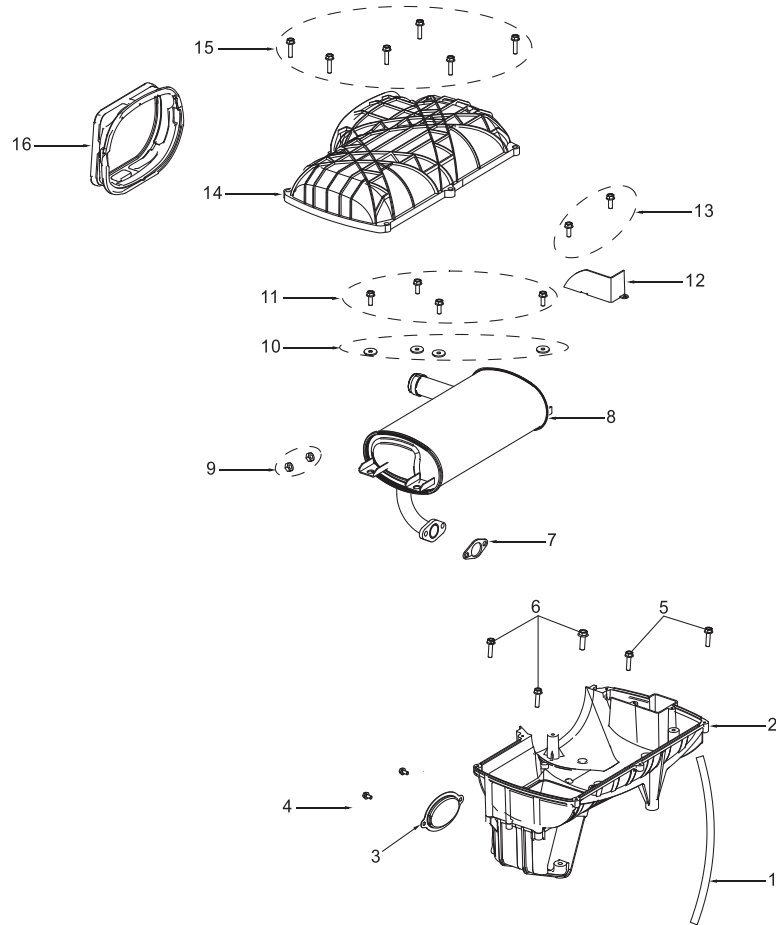
右外壳 (Right housing)

序号 No.	零部件图号 Part No.	零部件名称	Description	数量 Quantity
1	2004.168.0100.00.00	手柄	Hand shank	1
2	5787.06020.00.07	带盘螺栓M6×20	Bolt	3
3	5596.562.0010.P4.00	右侧外观盖板	Right exterior cover plate	1
4	5010.562.001V.00.00	放油螺栓堵头	Plug	1
5	5787.06020.00.07	带盘螺栓M6×20	Bolt	6
6	6178.06000.01.04	夹片螺母	Nut	3
7	2222.562.001V.00.00	右外壳	Right shell	1
8	5010.562.007V.00.00	堵头	Plug	1
9	5010.562.003V.00.00	堵头	Plug	1



左外壳 (Left housing)

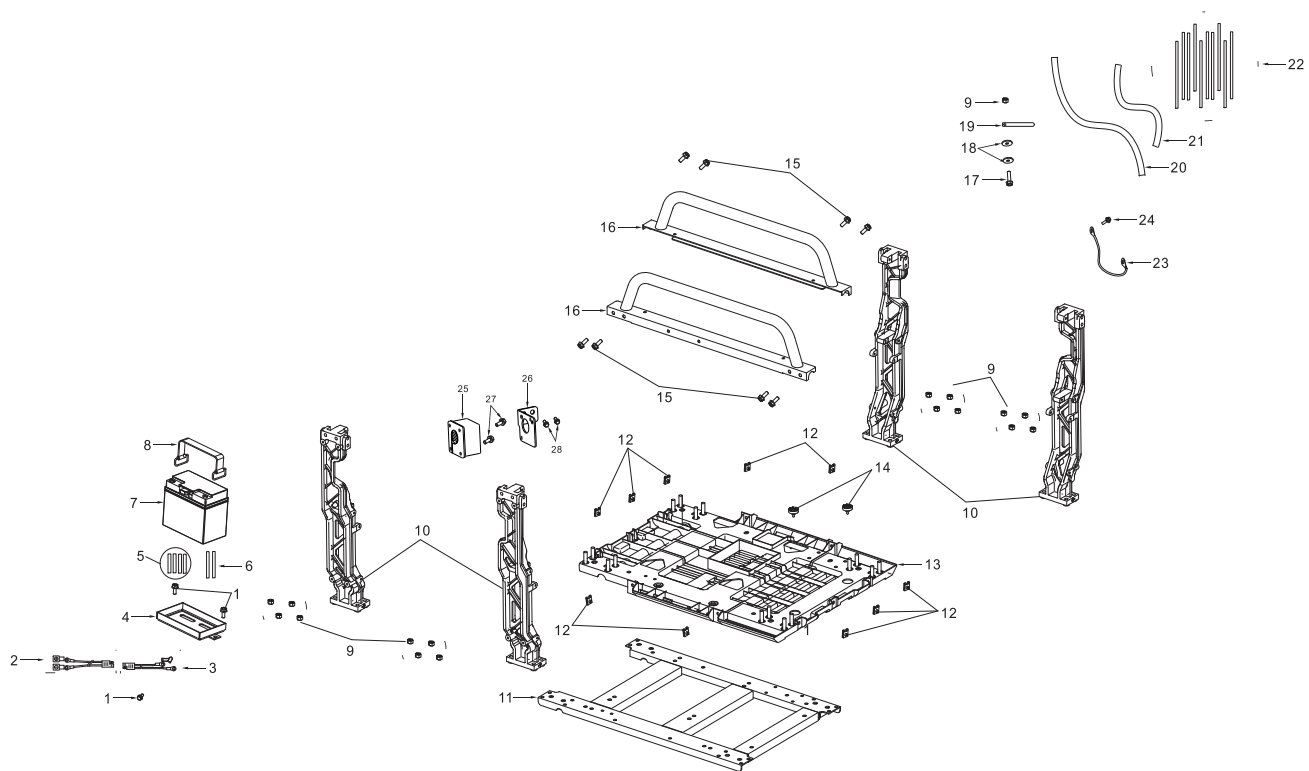
序号 No.	零部件图号 Part No.	零部件名称	Description	数量 Quantity
1	5787.06020.00.07	带盘螺栓M6×20	Bolt	3
2	5596.562.0020.P4.00	左侧外观盖板	Left exterior cover plate	1
3	5787.06020.00.07	带盘螺栓M6×20	Bolt	6
4	6178.06000.01.04	夹片螺母M6	Nut	3
5	2220.562.001V.00.00	左外壳	Left shell	1
6	5010.562.003V.00.00	堵头	Plug	1
7	5010.562.007V.00.00	堵头	Plug	1



消声器 (Muffler parts)

序号 No.	零部件图号 Part No.	零部件名称	Description	数量 Quantity
1	2436.562.0030.00.00	锡箔纸	Silver paper	1
2	2400.562.001V.00.02	消声器排风下罩总成	Muffler exhaust lower cover assembly	1
3	2428.562.001V.D7.00	消声器下罩盖板	Muffler lower cover	1
4	5787.06012.00.07	带盘螺栓M6×12	Bolt	2
5	5787.08042.00.01	带盘螺栓M8×42	Bolt	2
6	5787.08020.00.01	带盘螺栓M8×20	Bolt	3

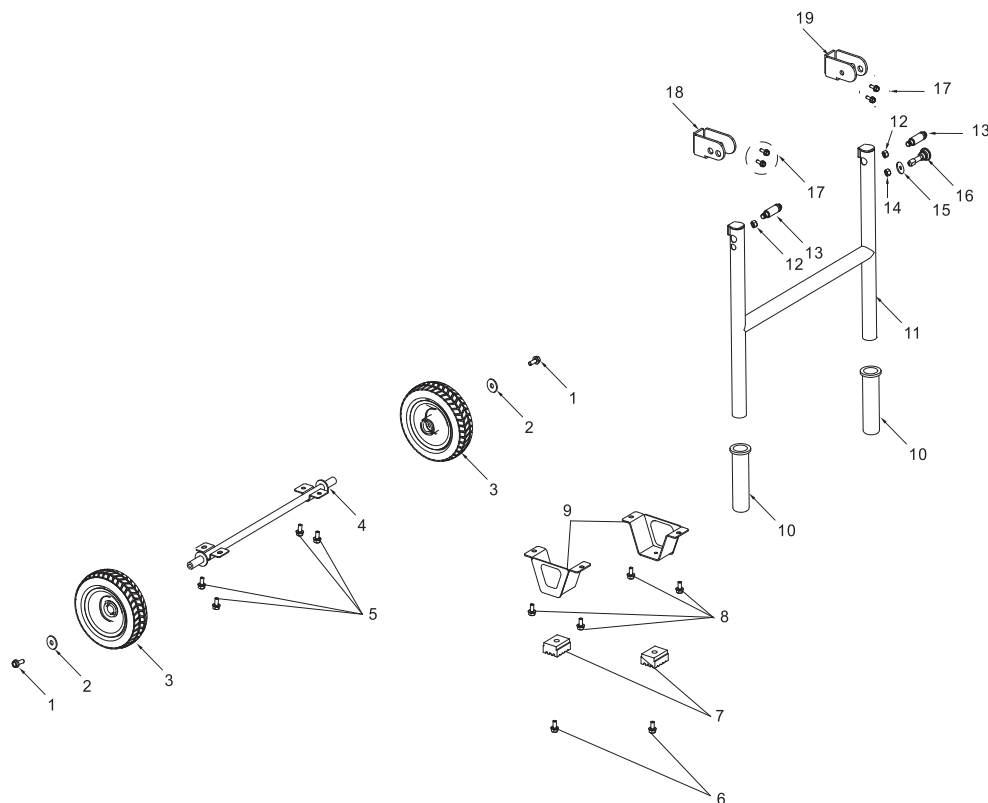
7	3100.T92.001V.00.00	排气口密封垫	Exhaust port gasket	1
8	2400.562.001V.00.00	消声器	Noise deadener	1
9	6177.08000.00.07	六角法兰面螺母	Nut	2
10	4100.700.M01V.20.07	平垫圈	Flat gaske	4
11	5787.08025.00.07	六角法兰面螺栓	Bolt	4
12	9757.562.002V.00.00	消声器外罩隔板	Baffle plate of muffler housing	1
13	5787.06012.00.07	带盘螺栓M6×12	Bolt	2
14	2400.562.001V.00.01	消声器排风上罩总成	Muffler exhaust top cover assembly	1
15	5787.06025.00.07	带盘螺栓M6×25	Bolt	6
16	2433.562.001V.00.00	消声器导风罩	Muffler air hood	1



机架 (Frame)

序号 No.	零部件图号 Part No.	零部件名称	Description	数量 Quantity
1	5787.06016.00.07	带盘螺栓M6×16	Bolt	3
2	6951.562.0020.00.00	电瓶线束	Battery wiring harness	1
3	6951.562.0030.00.00	电瓶线束	Battery wiring harness	1
4	3331.J01.0010.04.01	电瓶盒	Battery pack	1
5	2757.562.0010.00.00	电瓶保护垫A	Battery protection pad A	4
6	2757.562.0020.00.00	电瓶保护垫B	Battery protection pad B	2
7	2460.562.001V.00.00	电瓶	Storage battery	1
8	9575.562.001V.00.00	蓄电池箍带	Battery band	1
9	6177.08000.00.07	带盘防松螺母M8	Nut	17

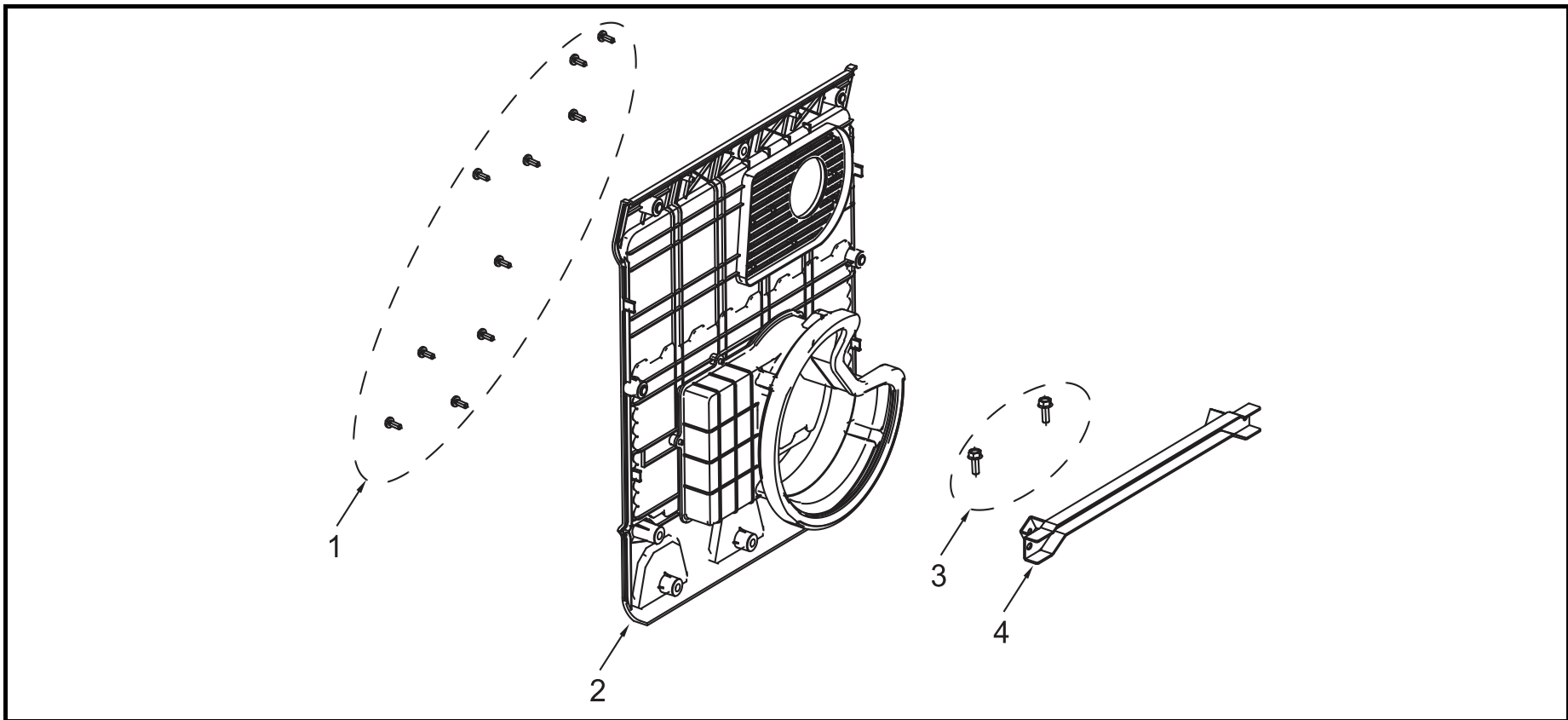
10	6690.562.001V.00.00	支架	Holder	4
11	3340.562.002V.D7.00	底板	Baseplate	1
12	6178.06000.01.04	夹片螺母M6	Nut	10
13	3340.562.001V.63.00	底板	Baseplate	1
14	5010.562.005V.00.00	堵头	Plug	2
15	5787.08020.00.07	带盘螺栓M8×20	Bolt	8
16	1616.562.001V.D7.00	左右横梁	Left and right beam	1
17	5787.08040.00.07	带盘螺栓M8×40	Bolt	1
18	4100.700.M01V.20.07	大平垫 $\phi 8 * \phi 22 * 2$	Flat gaske	2
19	1220.528.R0010.00.00	压线板	Tension disc	1
20	2335.562.0010.00.00	波纹管 $\Phi 25 * 600$	Corrugated pipe	1
21	2335.458.008V.00.00	波纹管 $\Phi 25 * 180$	Corrugated pipe	1
22	4080.520.001V.04.00	尼龙扎带	Cingulum	10
23	3410.467.0040.00.00	接地线	Ground lead	1
24	5787.06016.00.07	带盘螺栓M6×16	Bolt	1
25	5528.000.0070.00.00	CO报警器	CO alarm	1
26	5529.562.0010.D7.00	CO报警器支架	Holder	1
27	6111.469.0020.00.00	防盗螺栓M3*10	Bolt	2
28	6111.469.0010.00.00	防盗螺栓M6*10	Bolt	2



轮子扶手 (Wheels and handrails)

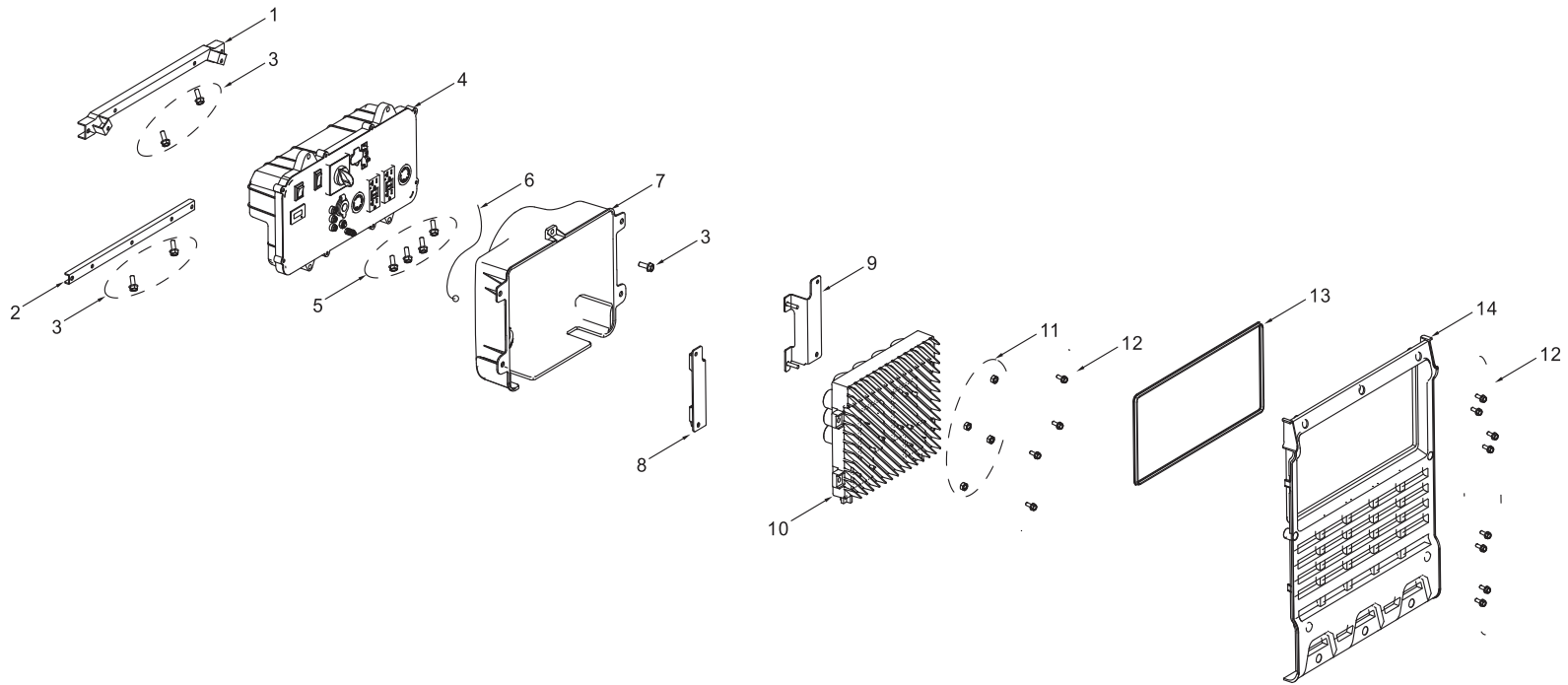
序号 No.	零部件图号 Part No.	零部件名称	Description	数量 Quantity
1	5787.08016.00.07	带盘螺栓M8×16	Bolt	2
2	4100.700.M01V.20.07	大平垫 φ8*φ22*2	Flat gaske	2
3	3332.562.0010.00.00	7寸实心轮	Wheel	2
4	3335.562.0010.00.00	长轮轴	Axle	1
5	5787.08016.00.07	带盘螺栓M8×16	Bolt	4
6	5787.06025.00.07	带盘螺栓M6×25	Bolt	2
7	3360.460.002V.00.00	减震垫	Shock pad	2
8	5787.08012.00.07	带盘螺栓M8×12	Bolt	4
9	3334.562.001V.04.00	支撑座	Supporting seat	2

10	7136.562.001V.00.00	手把胶套	Hand the glue sets	2
11	4821.562.001V.00.00	手把管总成	Handle pipe assembly	1
12	6177.10000.05.07	带盘防松螺母M10×1.25	Nut	2
13	5960.562.001V.00.00	手把固定销	Handle pin	2
14	0366.168.001V.00.00	六角螺母	Nut	1
15	4100.460.002V.20.00	非标平垫13*24*1.5	Non-standard flat pad	1
16	7374.460.001V.00.00	快速释放销	Quick release pin	1
17	5787.08025.00.07	六角法兰面螺栓	Bolt	4
18	2129.562.002V.D7.00	手把固定座（右）	Fixing seat (right)	1
19	2129.562.001V.D7.00	手把固定座（左）	Fixing seat (left)	1



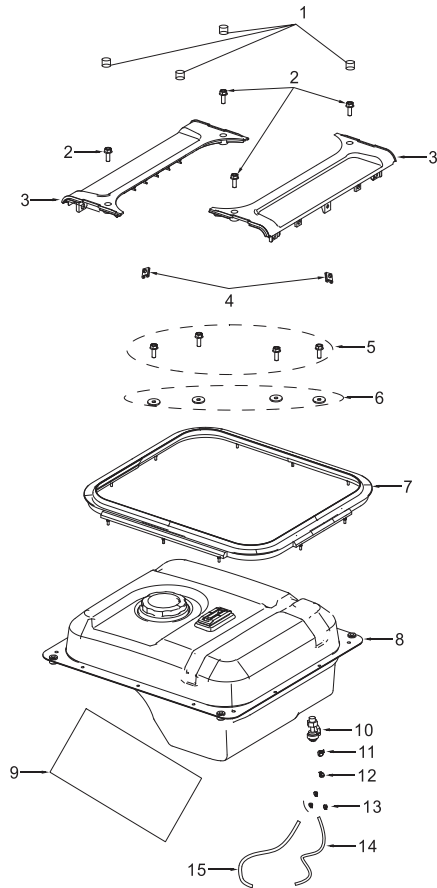
尾罩 (Tail cover)

序号 No.	零部件图号 Part No.	零部件名称	Description	数量 Quantity
1	5787.06020.00.07	带盘螺栓M6×20	Bolt	10
2	6566.562.001V.00.00	电机盖板总成	Motor cover plate	1
3	5787.06016.00.07	带盘螺栓M6×16	Bolt	2
4	2319.562.001V.D7.00	前后上横梁	Front and rear upper beam	1



面板 (Panel)

序号 No.	零部件图号 Part No.	零部件名称	Description	数量 Quantity
1	2319.562.001V.D7.00	前后上横梁	Front and rear upper beam	1
2	2319.562.002V.D7.00	前下横梁	Bottom end rail	1
3	5787.06016.00.07	带盘螺栓M6×16	Bolt	5
4	3370.562.0090.00.99	面板	Panel	1
5	5787.06030.00.07	带盘螺栓M6×30	Bolt	4
6	0234.562.0020.00.00	温度传感器	Temperature sensor	1
7	2002.562.001V.00.00	导风罩总成	Wind scooper	1
8	8452.562.001V.D7.00	逆变器左支架	Inverter left bracket	1
9	8452.562.002V.D7.00	逆变器右支架	Inverter right bracket	1
10	2470.562.0011.00.00	逆变器	Inverter	1
11	6177.06000.00.07	带盘防松螺母M6	Nut	4
12	5787.06020.00.07	带盘螺栓M6×20	Bolt	12
13	3370.562.001V.04.12	面板胶条	Block gine	1
14	6656.562.001V.00.00	逆变器覆盖板总成	Inverter overlay board assembly	1



燃油箱部件 (Fuel tank components)

序号 No.	零部件图号 Part No.	零部件名称	Description	数量 Quantity
1	5010.562.004V.00.00	堵头	Plug	4
2	5787.06020.00.07	带盘螺栓M6×20	Bolt	4
3	9674.562.001V.00.00	上盖板总成	Upper cover plate	2
4	6178.06000.01.04	夹片螺母	Nut	2
5	5787.06025.00.07	带盘螺栓M6×25	Bolt	4
6	0096.06000.00.07	平垫圈Φ6	Flat gaske	4
7	3230.562.001V.04.00	油箱胶条	Block gine	1

8	3200.562.C01V.P4.00	燃油箱总成	Fuel tank assembly	1
9	2436.562.0020.00.00	锡箔纸	Fuel tank	1
10	3210.460.D01V.00.00	油箱开关	Fuel tank switch	1
11	2360.458.R006V.00.00	带形油管夹 Φ 12	Ferrule	1
12	2360.458.R011V.00.00	带形油管夹 Φ 10.5	Ferrule	1
13	2360.458.R003V.00.00	带形油管夹 Φ 8	Ferrule	3
14	2330.562.C030.00.00	燃油蒸发收集管	Fuel oil evaporation collection pipe	1
15	2330.154.C020.00.22	油管 $4.5 \times 8.5 \times 190$	Oil tube	1