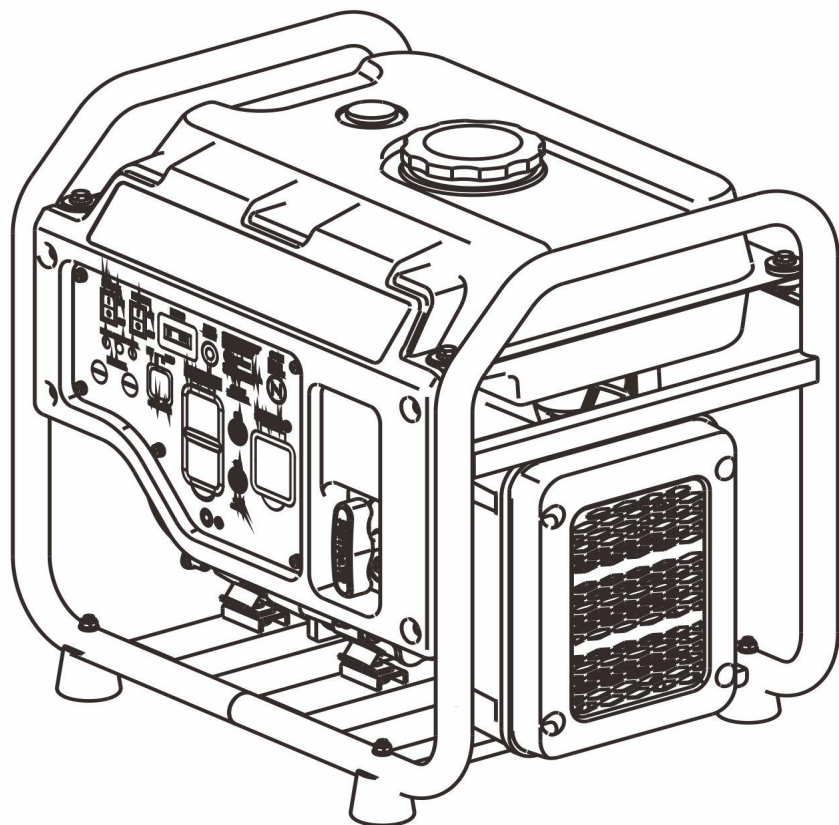


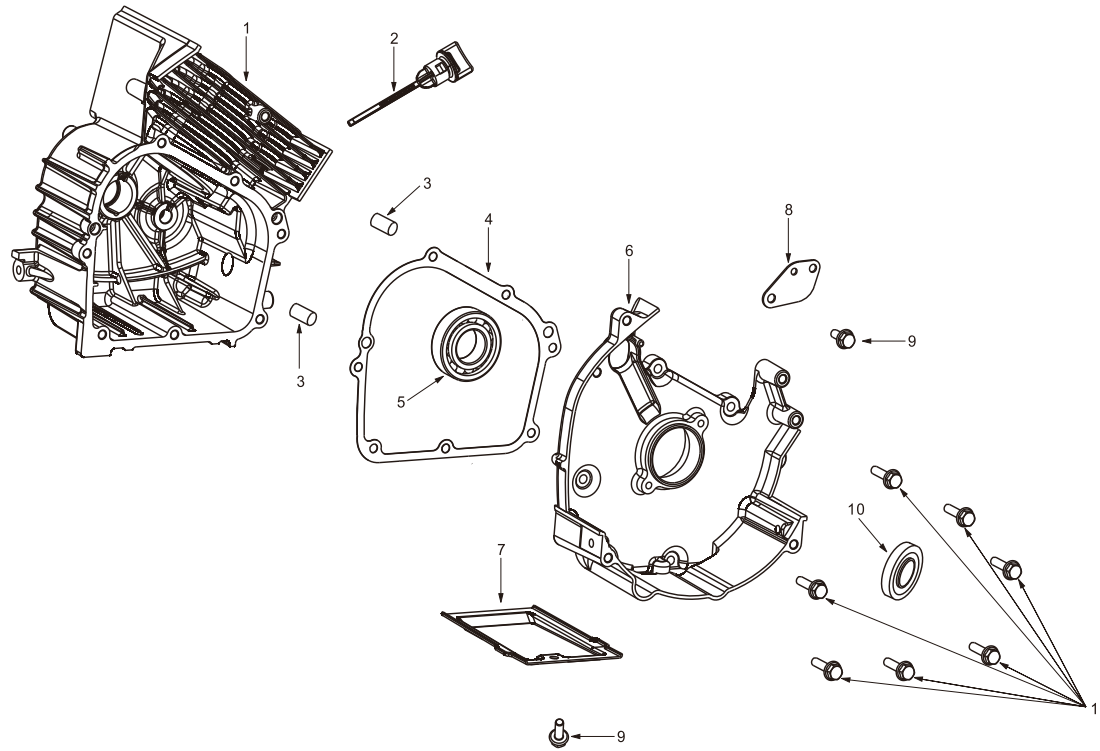
零部件图册

PARTS CATALOG



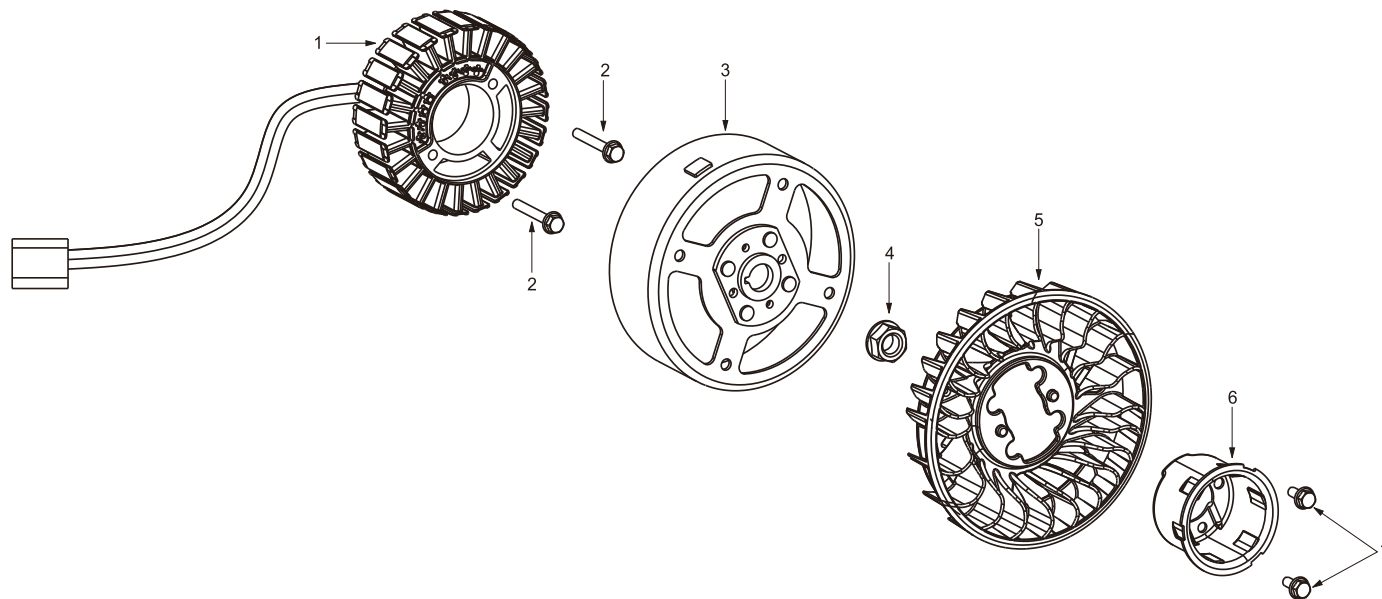
GM3500Xi

Inverter Generator



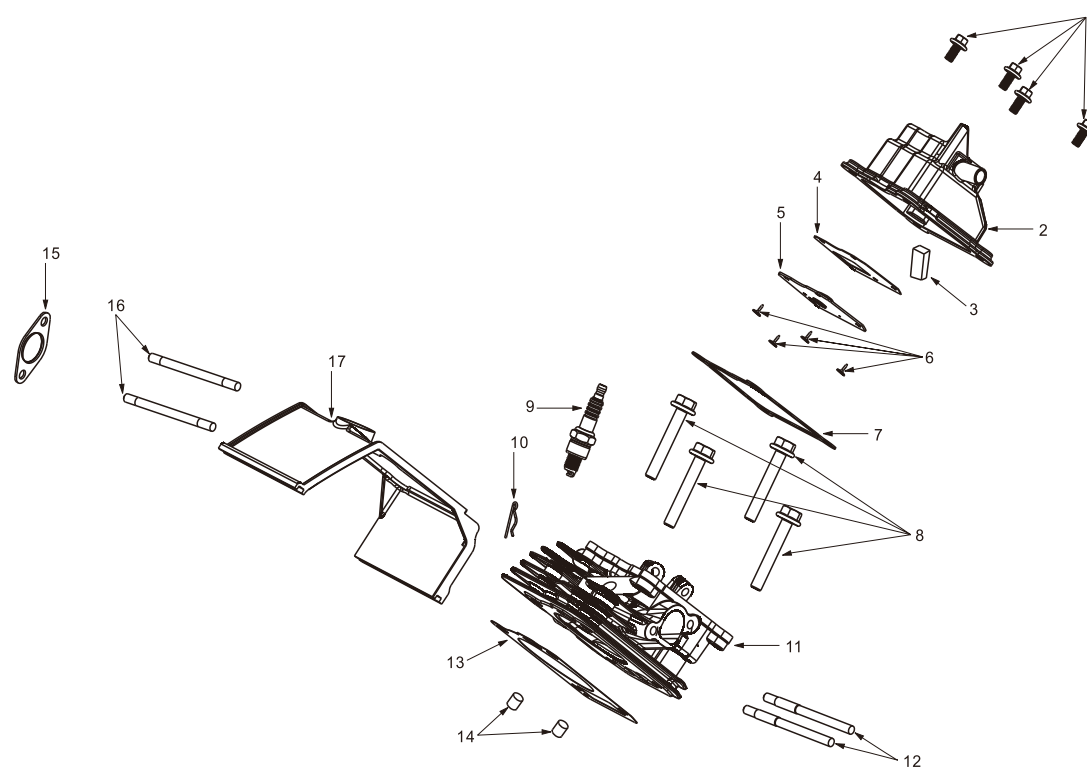
曲轴箱 (Crankcase)

序号 No.	零部件图号 Part No.	零部件名称	Description	数量 Quantity
1	1000.164.001V.00.00	曲轴箱体	Crank case	1
2	1230.164.001V.00.00	机油尺组件	Dipstick assembly	1
3	3170.188.001V.00.00	定位销8×12	Locating pin	2
4	3040.164.001V.00.00	曲轴箱垫	Crankcase gasket	1
5	0270.168.001V.00.00	轴承6205	Bearing	1
6	1010.164.001V.00.00	曲轴箱盖	Crankcase cover	1
7	2230.164.001V.00.00	下导风罩	Lower wind deflector	1
8	2090.164.001V.00.00	压线板	Crimping board	1
9	5787.06012.00.01	带盘螺栓M6×12	Bolt	2
10	3150.168.001V.00.00	油封25×41.25×6	Oil seal	1
11	5787.06025.00.01	带盘螺栓M6×25	Bolt	7



电机组件 (Motor assembly)

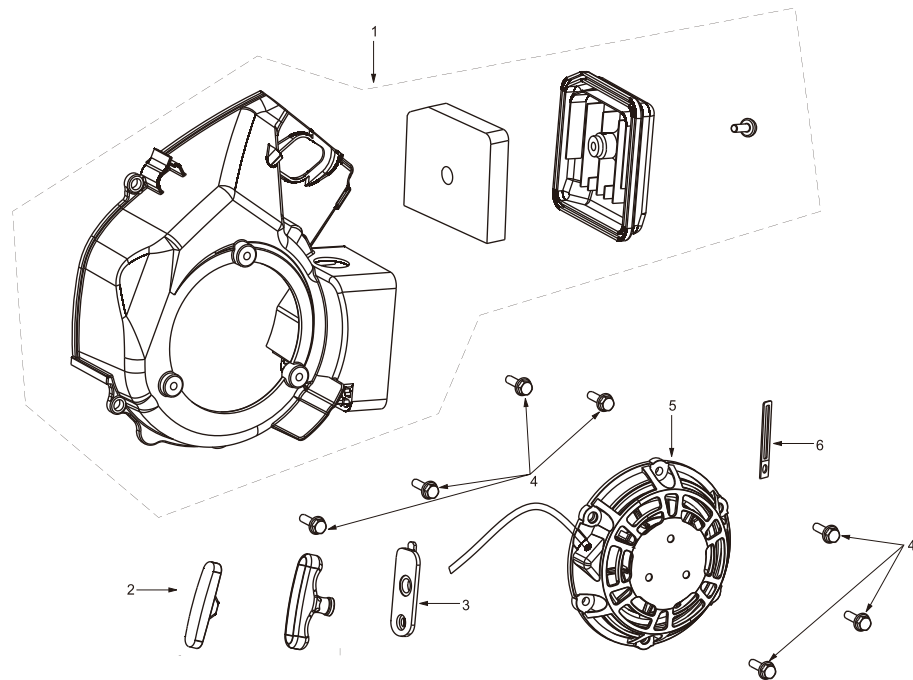
序号 No.	零部件图号 Part No.	零部件名称	Description	数量 Quantity
1	4000.474.0010.00.02	电机定子	Motor stator	1
2	5787.06045.00.01	带盘螺栓M6×45	Bolt	2
3	4000.474.001V.00.01	电机转子	Motor rotor	1
4	6177.14000.06.01	带盘螺母M14×1.5	Nut with disc	1
5	2030.T48.0020.63.00	叶轮	Impeller	1
6	2020.T48.001V.00.00	启动套	Starting sleeve	1
7	5787.06012.22.01	小盘螺栓M6×12	Bolt	2



缸头组件 (Cylinder head parts)

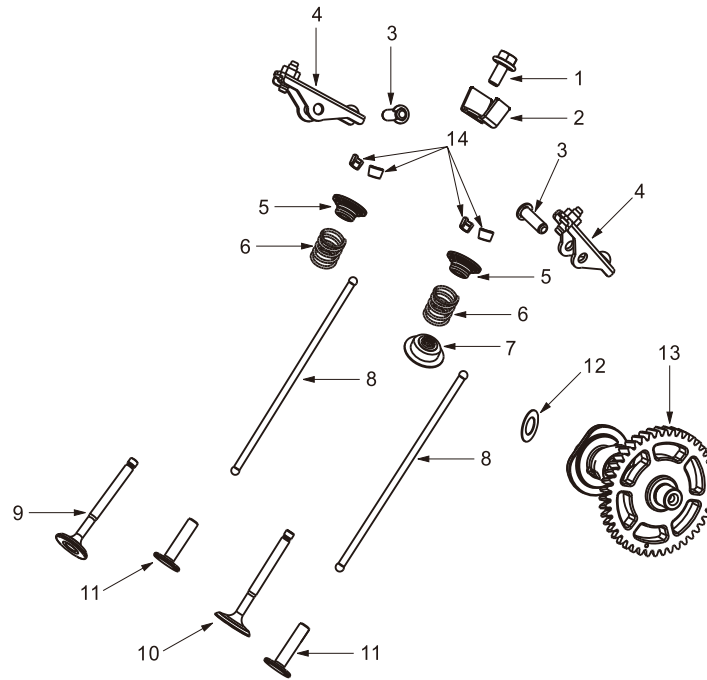
序号 No.	零部件图号 Part No.	零部件名称	Description	数量 Quantity
1	5789.06018.00.01	带盘螺栓M6×18	Bolt	4
2	0001.164.0020.00.00	缸头盖	Cover subassembly,Cylinder head	1
3	7080.165.001V.00.00	机油滤网45×25×12.5	Oil screen	1
4	3097.164.001V.00.00	呼吸槽密封垫	Sealing gasket of breathing tank	1
5	3088.164.001V.00.00	呼吸阀盖板	Breathing valve cover plate	1
6	0818.04008.00.01	十字圆头螺钉4×8	Cross head screw	4
7	3000.164.001V.00.00	缸头盖垫	Cylinder head cover pad	1
8	5789.08060.00.10	带盘螺栓M8×60	Bolt	4
9	2160.148.R001V.00.00	火花塞	Spark plug	1
10	1120.188.001V.00.00	调速摆杆锁夹	Locking clamp of speed regulating swing rod	1

11	0010.164.0060.00.00	气缸头	Cylinder head	1
12	R0900.06092.00.00	双头螺栓	Stud bolt	2
13	3020.164.001V.00.00	缸头垫	Gasket,Cylinder head	1
14	3170.168.002V.00.00	定位销10×14	Pin	2
15	3100.164.001V.00.00	排气口密封垫	Exhaust port gasket	1
16	0900.06081.00.01	双头螺栓M6×81	Limit plate gasket	2
17	2230.164.002V.00.00	导风板	Wind deflector	1



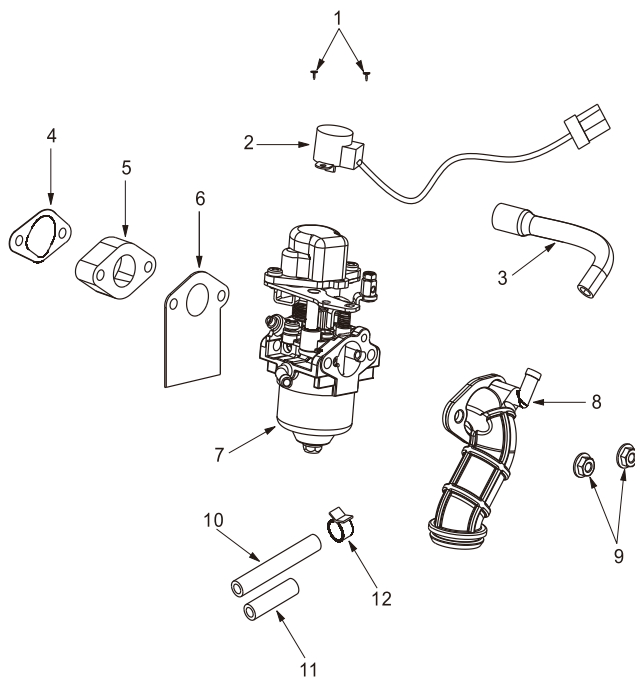
单机起动器 (Engine Starter)

序号 No.	零部件图号 Part No.	零部件名称	Description	数量 Quantity
1	2000.164.0011.00.00	导风罩组件	Shroud as-air	1
2	2000.T70.001V.04.03	启动手柄	Starting handle	1
3	2186.T48.001V.00.00	拉手盖板	Handle cover plate	1
4	5787.06018.00.01	带盘螺栓M6×18	Bolt	7
5	2000.148.001V.00.04	拉盘	Pulling plate	1
6	1220.188.001V.00.00	压线板	Crimping board	1



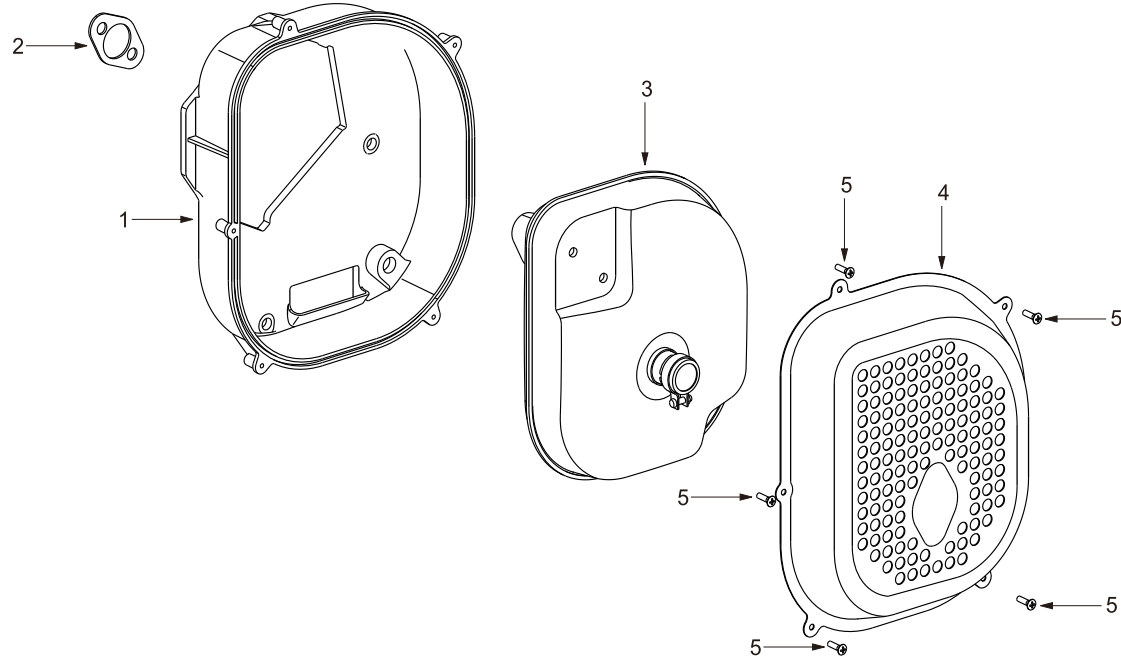
配气 (Air distribution)

序号	零部件图号	零部件名称	Description	数量
No.	Part No.			Quantity
1	5787.06010.00.01	带盘螺栓M6×10	Bolt	1
2	0107.164.001V.00.00	摇臂轴挡块	Rocker shaft stop	1
3	0100.P62.R001V.00.01	摇臂销	Rocker pin	2
4	0100.164.001V.00.00	摇臂组件	Rocker arm assembly	2
5	0050.F70.R001V.00.00	进排气门弹簧座	Intake and exhaust valve spring seat	2
6	0040.164.0010.00.00	气门弹簧	Valve spring	2
7	0085.164.001V.00.00	挡油罩	Oil baffle	1
8	0160.164.001V.00.00	推杆	Putter	2
9	0030.164.001V.00.00	排气门	Exhaust valve	1
10	0020.164.0011.00.00	进气门	Intake valve	1
11	1030.164.001V.00.00	挺柱	Tappet	2
12	0185.164.002V.00.00	耐磨垫片Φ18×Φ10.2×0.5	Wear resistant gasket	1
13	1040.164.0011.00.00	凸轮轴部件	Camshaft components	1
14	1120.F70.R001V.00.00	气门夹锁	Valve clamp lock	4



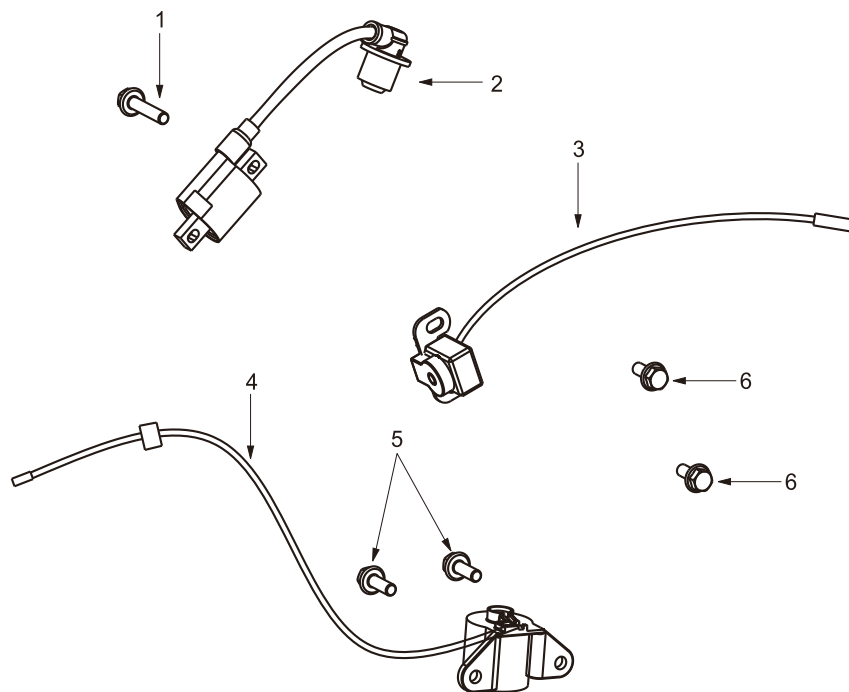
化油器部件 (Carburetor parts)

序号 No.	零部件图号 Part No.	零部件名称	Description	数量 Quantity
1	0818.03006.10.01	十字圆头螺钉3×6	Cross head screw	2
2	4000.474.0040.00.00	步进电机	Stepper motor	1
3	2370.F80.001V.00.00	废气管	Exhaust pipe	1
4	3060.164.0011.00.00	进气口垫片	Air inlet gasket	1
5	2300.164.0011.00.00	化油器接块	Carburetor block	1
6	3080.164.0010.00.00	化油器密封垫	Carburetor gasket	1
7	2260.164.C060.00.00	化油器	Carburetor	1
8	2410.164.0011.00.00	进气弯管	Intake elbow	1
9	6177.06000.00.01	带盘防松螺母M6	Locking nut with disc	2
10	2330.160.C030.00.21	油管	Tubing	1
11	2332.467.006V.00.00	硅胶保护套Φ10×50	Silicone protective sleeve	1
12	2360.458.002V.00.00	带形油管夹Φ8.5	Ribbon tubing clamp	1



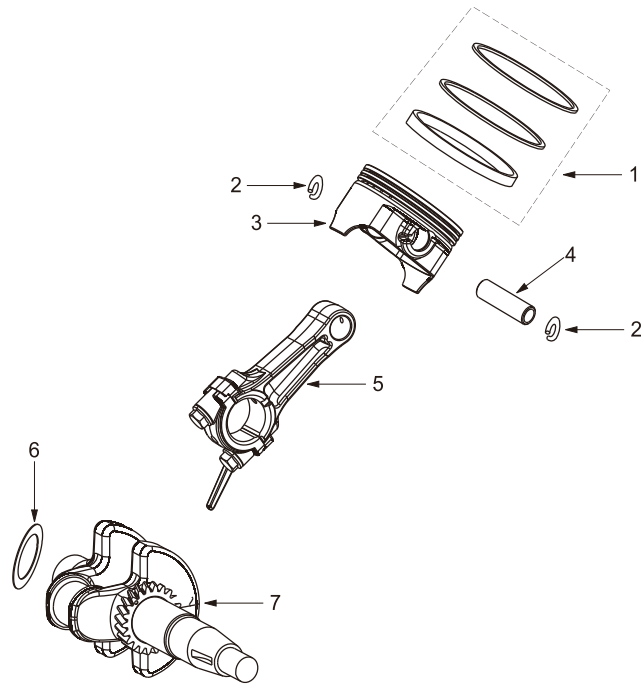
消声器 (Muffler parts)

序号 No.	零部件图号 Part No.	零部件名称	Description	数量 Quantity
1	2400.164.001V.00.11	消声器外罩 (前)	Muffler protection cover	1
2	3100.164.001V.00.00	排气口密封垫	Exhaust port gasket	1
3	2400.473.0010.00.00	消声器部件	Muffler components	1
4	2400.164.0020.00.12	消声器外罩 (后)	Muffler cover	1
5	0845.42013.00.01	自攻螺钉 (4.2×13)	Self tapping screw	5



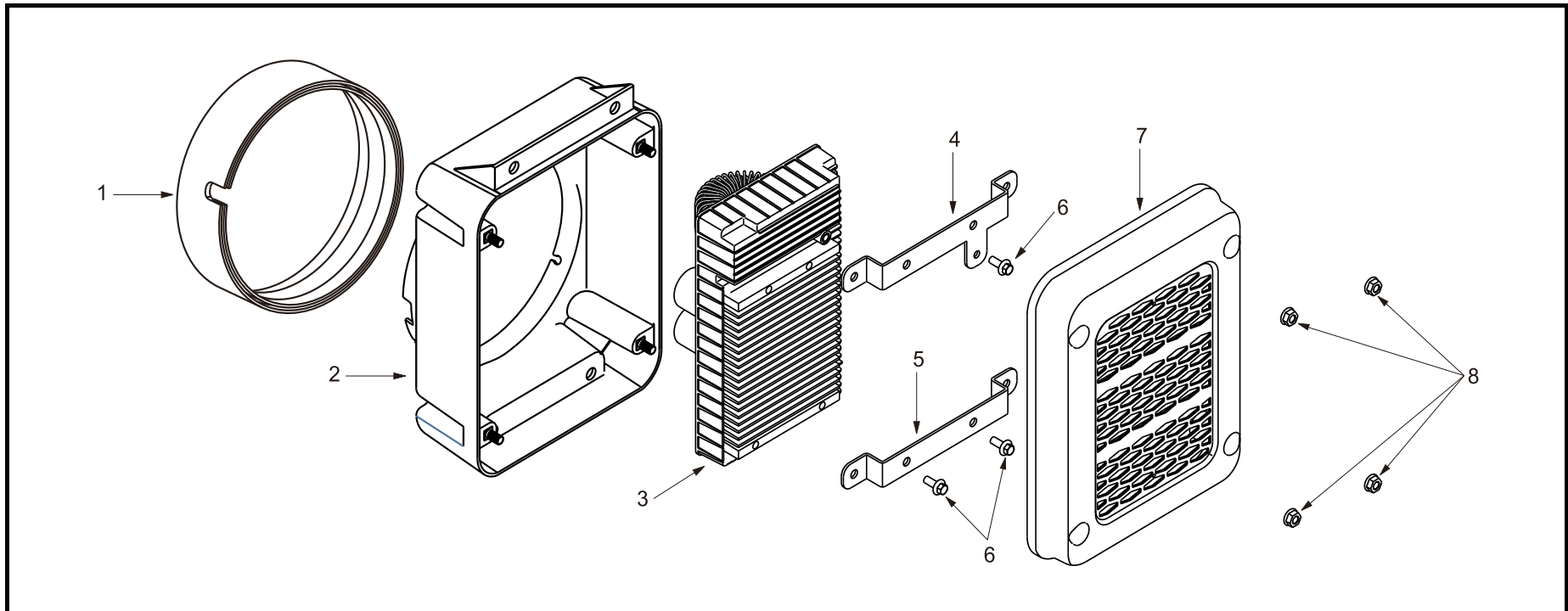
点火线圈/机油报警器/触发线圈 (Ignition coil/oil alarm/trigger coil)

序号 No.	零部件图号 Part No.	零部件名称	Description	数量 Quantity
1	5789.05020.00.03	带盘螺栓M5×20	Bolt	1
2	1522.164.002V.00.00	点火线圈	Ignition coil	1
3	2050.T48.002V.00.00	触发线圈组件	Trigger coil assembly	1
4	1020.164.0011.00.00	机油报警器	Oil alarm	1
5	5787.06014.00.01	带盘螺栓M6×14	Bolt	2
6	5787.06012.22.01	小盘螺栓M6×12	Bolt	2



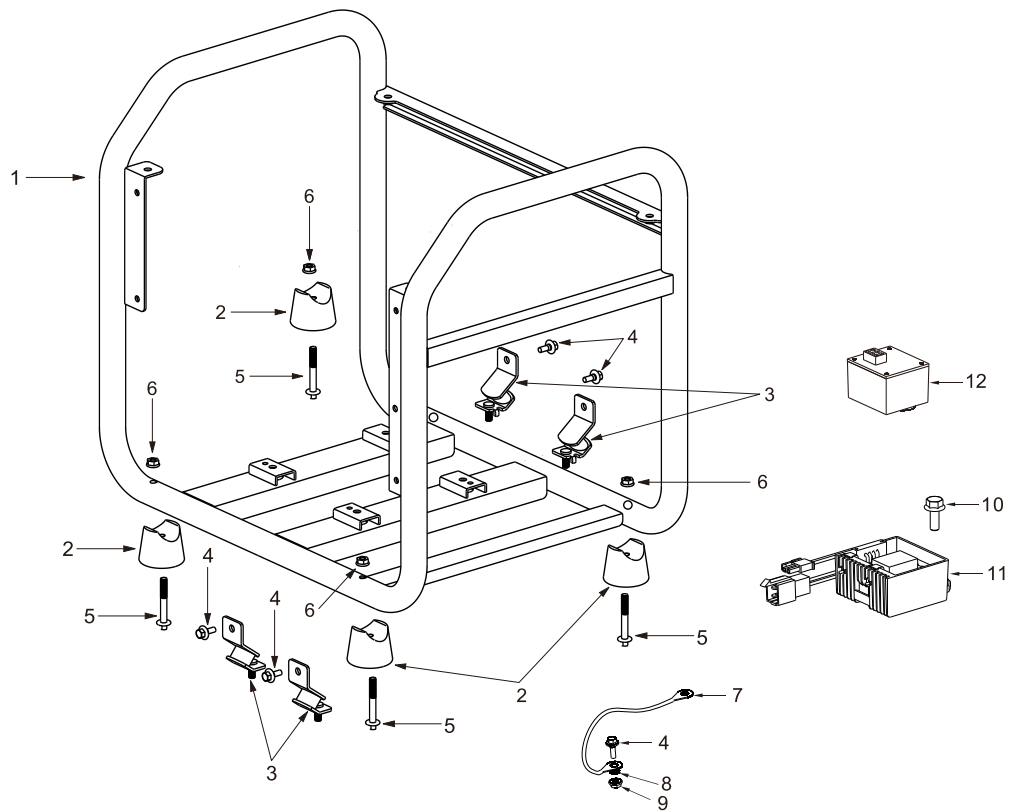
连杆 (Connecting rod)

序号 No.	零部件图号 Part No.	零部件名称	Description	数量 Quantity
1	0210.164.001V.00.00	活塞环组件	Ring as-piston	1
2	0230.160.R001V.00.00	活塞销卡圈	Piston pin circlip	2
3	0200.164.001V.00.00	活塞	Piston	1
4	0220.164.001V.00.00	活塞销	piston pin	1
5	0190.164.001V.00.00	连杆组件	Connecting rod assembly	1
6	0185.164.001V.00.00	耐磨垫片 $\Phi 36 \times \Phi 25.3 \times 0.5$	Wear resistant gasket	1
7	0180.164.0011.60.00	曲轴组件	Crankshaft assembly	1



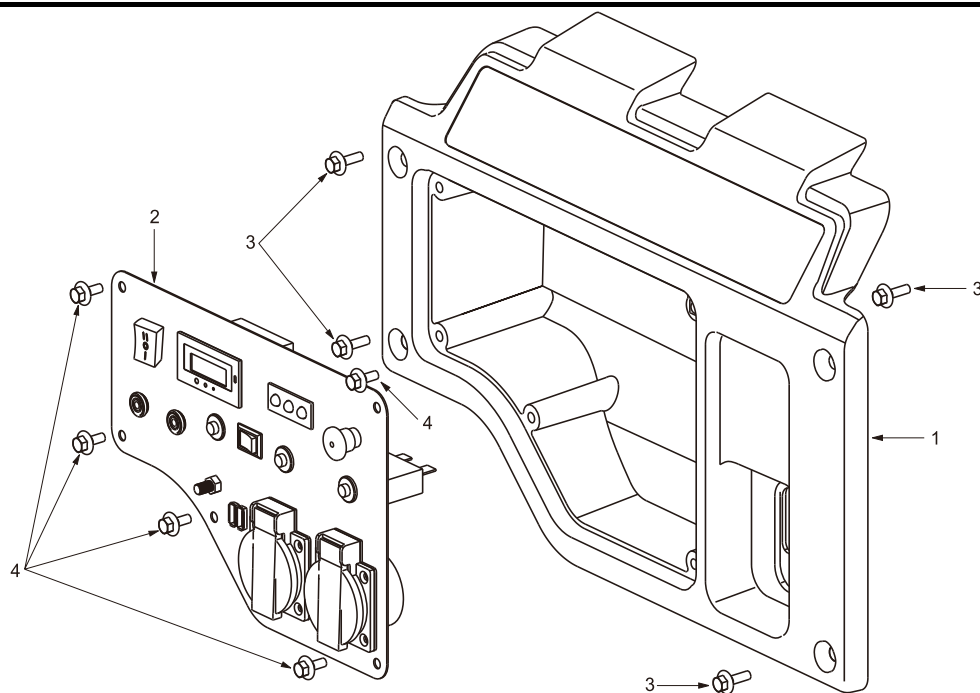
逆变器 (Inverter)

序号 No.	零部件图号 Part No.	零部件名称	Description	数量 Quantity
1	6452.473.0010.00.00	橡胶连接套	Rubber connecting sleeve	1
2	4623.473.0010.00.00	逆变器内罩	Inverter inner cover	1
3	2470.474.0170.00.00	逆变器	Inverter	1
4	8452.473.0020.00.00	逆变器安装支架2	Inverter mounting bracket	1
5	8452.473.0010.00.00	逆变器安装支架1	Inverter mounting bracket	1
6	5787.06012.00.01	带盘螺栓M6×12	Bolt	3
7	4624.473.0010.00.00	逆变器外罩	Inverter cover	1
8	6177.06000.00.01	带盘防松螺母 (M6)	Locking nut with disc	4



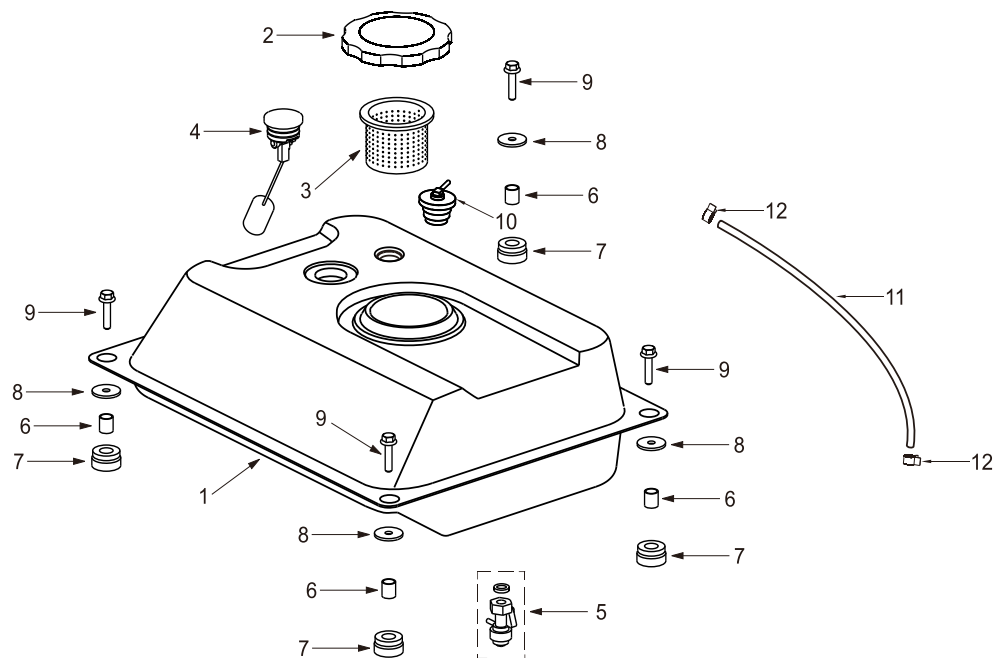
机架 (Frame)

序号 No.	零部件图号 Part No.	零部件名称	Description	数量 Quantity
1	3330.473.0041.D7.00	机架部件	Frame components	1
2	3360.473.0010.00.00	机架减震座	Frame shock mount	4
3	3360.473.0020.00.00	减震座	Shock mount	4
4	5787.06012.00.01	带盘螺栓M6×12	Bolt	5
5	5787.06035.00.01	带盘螺栓M6×35	Bolt	4
6	6177.06000.00.01	带盘防松螺母 (M6)	Locking nut with disc	4
7	3410.473.0010.00.00	接地线	Ground lead	1
8	8621.06000.00.01	外齿垫圈	External tooth washers	1
9	6177.16000.06.01	带盘螺母M16×1.5	Nut	1
10	5787.06016.00.01	带盘螺栓 M6×16	Bolt	1
11	6854.528.0021.00.00	调压整流器	Voltage regulating rectifier	1
12	5528.000.0060.00.00	CO报警器	CO alarm	1



面板 (Panel)

序号 No.	零部件图号 Part No.	零部件名称	Description	数量 Quantity
1	3370.473.0010.00.01	面板后罩壳	Panel rear cover	1
2	3370.473.0180.00.99	控制面板组合	Control panel combination	1
3	5787.06016.00.01	带盘螺栓M6×16	Bolt	4
4	5787.06012.00.01	带盘螺栓M6×12	Bolt	5



燃油箱部件 (Fuel tank components)

序号 No.	零部件图号 Part No.	零部件名称	Description	数量 Quantity
1	3200.473.0010.P4.00	油箱部件	Fuel tank components	1
2	3203.460.0020.00.00	油箱盖	Fuel tank cap	1
3	3204.460.001V.00.00	燃油滤网	Fuel filter screen	1
4	3207.460.003V.00.00	油位指示器组件	Indicator as-oil level	1
5	32100445.003V.00.00	油箱开关	Fuel tank switch	1
6	3213.460.001V.00.00	油箱衬套 $\Phi 8.6 \times \Phi 12 \times \Phi 12.2$	Tank bushing	4
7	3217.460.001V.00.00	油箱安装胶套	Oil tank mounting rubber sleeve	4
8	4100.460.001V.20.07	非标平垫 $\Phi 6 \times \Phi 25 \times 1.5$	Non standard flat pad	4
9	5787.06025.00.01	带盘螺栓 $M6 \times 25$	Bolt	4
10	3200.487.C01V.00.09	油箱单向阀	Tank check valve	1
11	2330.473.0050.00.00	燃油蒸发收集管	Fuel oil evaporation collection pipe	1
12	2360.458.R003V.00.00	带形油管夹 $\Phi 8$	Tubing clamps	2