

零部件图册

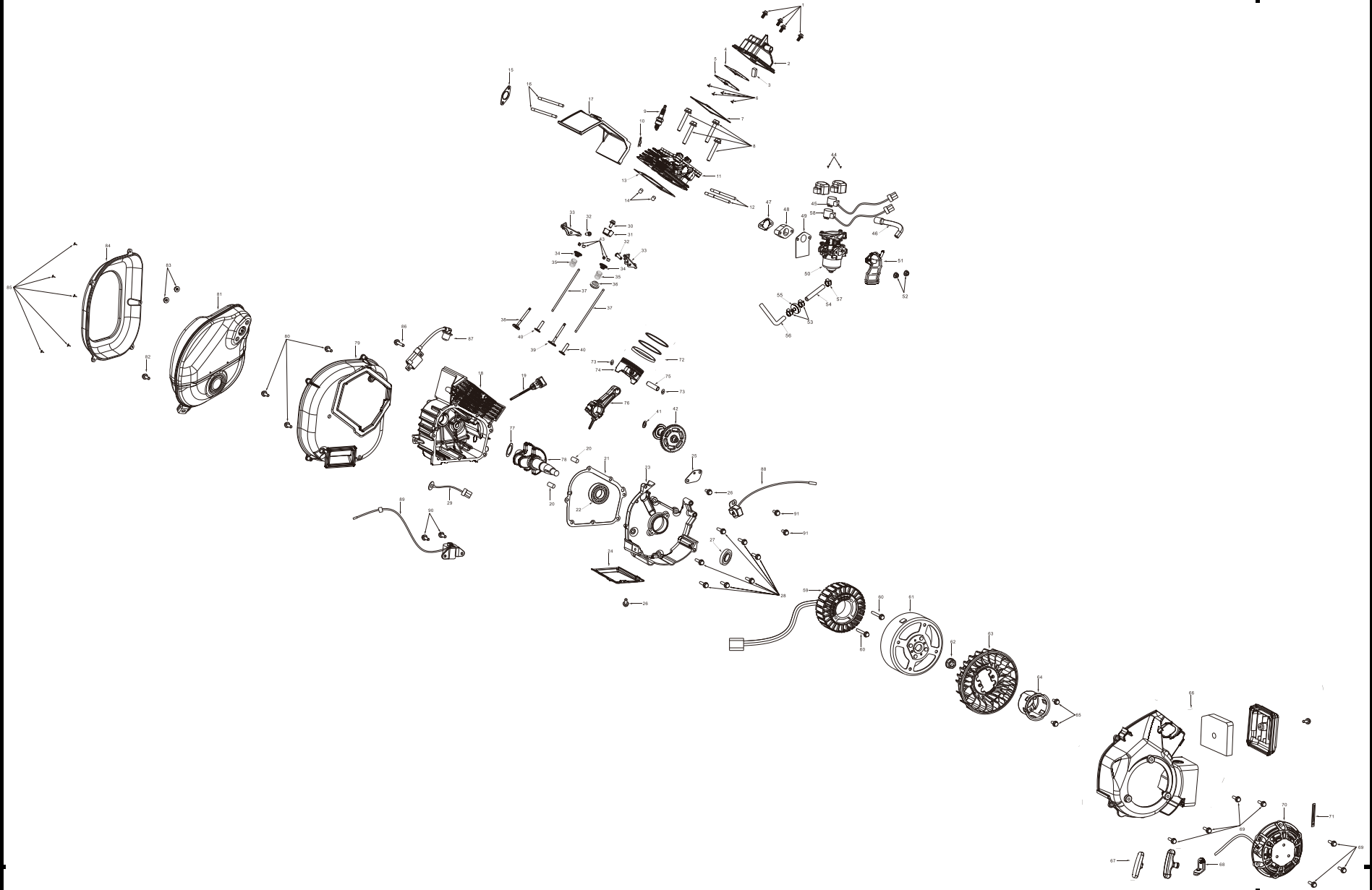
PARTS CATALOG



GM2800iAE

Inverter Generator

ENGINE-EXPLOSIVE VIEW



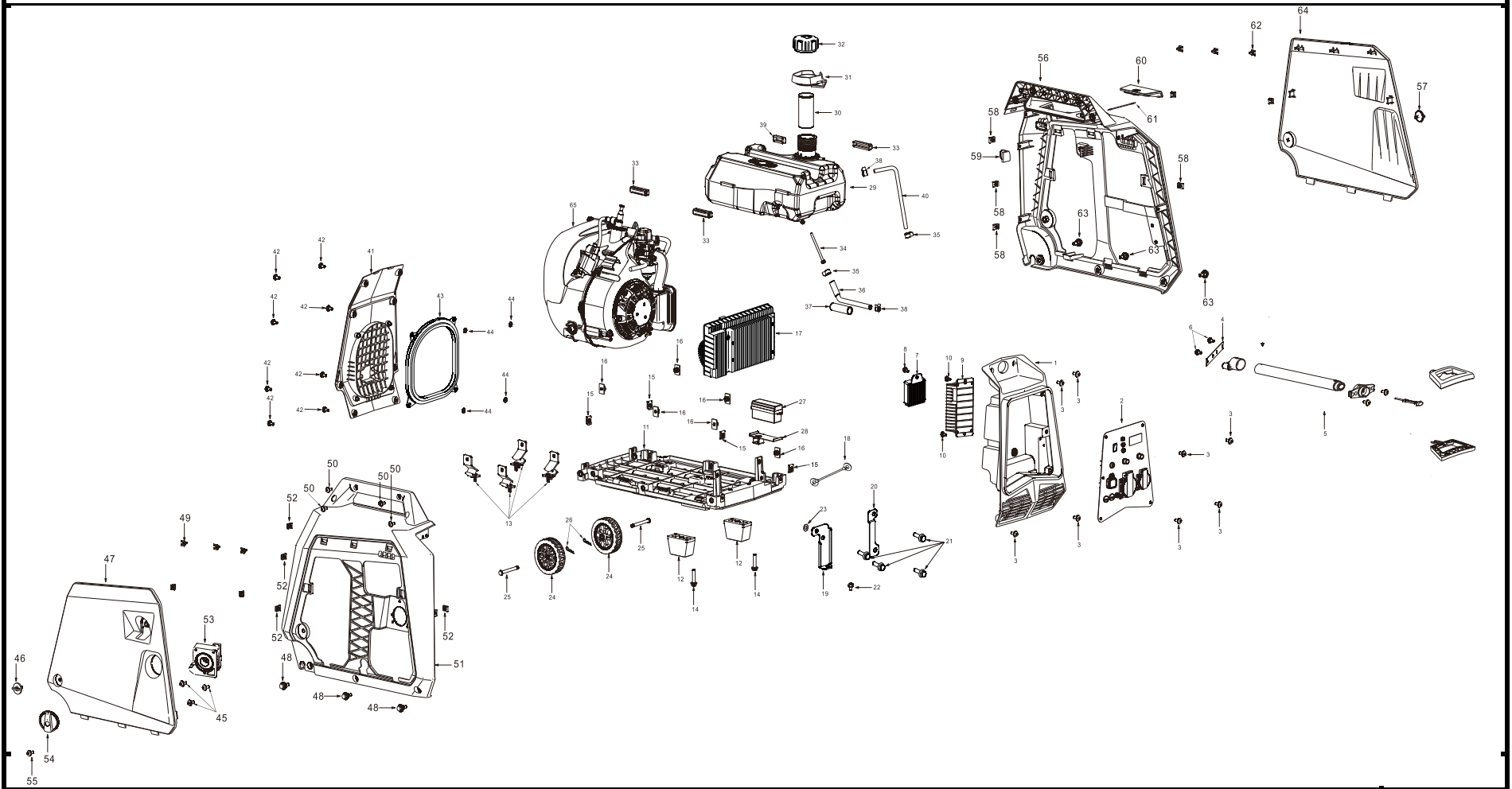
ENGINE-ITEM NUMBER

序号	零部件图号	零部件名称	Description	数量
No.	Part No.			Quantity
1	5789.06018.00.01	带盘螺栓M6×18	Bolt	4
2	0001.164.001V.00.00	缸头盖	Cover subassembly,Cylinder head	1
3	7080.165.001V.00.00	机油滤网45×25×12.5	Oil screen	1
4	3097.164.001V.00.00	呼吸槽密封垫	Sealing gasket of breathing tank	1
5	3088.164.001V.00.00	呼吸阀盖板	Breathing valve cover plate	1
6	0818.04008.00.01	十字圆头螺钉4×8	Cross head screw	4
7	3000.164.001V.00.00	缸头盖垫	Cylinder head cover pad	1
8	5789.08060.00.10	带盘螺栓M8×60	Bolt	4
9	2160.148.R001V.00.00	火花塞	Spark plug	1
10	1120.188.001V.00.00	调速摆杆锁夹	Locking clamp of speed regulating swing rod	1
11	0010.164.0060.00.00	气缸头	Cylinder head	1
12	R0900.06092.00.00	双头螺栓	Stud bolt	2
13	3020.164.001V.00.00	缸头垫	Gasket,Cylinder head	1
14	3170.168.002V.00.00	定位销10×14	Pin	2
15	3100.164.001V.00.00	排气口密封垫	Exhaust port gasket	1
16	7071.165.001V.00.00	双头螺栓M6×78	Limit plate gasket	2
17	2230.164.002V.00.00	导风板	Wind deflector	1
18	1000.164.001V.00.00	曲轴箱体	Crank case	1
19	1230.164.001V.00.00	机油尺组件	Dipstick assembly	1
20	3170.188.001V.00.00	定位销8×12	Locating pin	2
21	3040.164.001V.00.00	曲轴箱垫	Crankcase gasket	1
22	0270.168.001V.00.00	轴承6205	Bearing	1
23	1010.164.001V.00.00	曲轴箱盖	Crankcase cover	1
24	2230.164.001V.00.00	下导风罩	Lower wind deflector	1
25	2090.164.001V.00.00	压线板	Crimping board	1
26	5787.06012.00.01	带盘螺栓M6×12	Bolt	2
27	3150.168.001V.00.00	油封25×41.25×6	Oil seal	1

28	5787.06025.00.01	带盘螺栓M6×25	Bolt	7
29	1025.464.0020.00.00	温度传感器	Temperature sensor	1
30	5787.06010.00.01	带盘螺栓M6×10	Bolt	1
31	0107.164.001V.00.00	摇臂轴挡块	Rocker shaft stop	1
32	0100.P62.R001V.00.01	摇臂销	Rocker pin	2
33	0100.164.001V.00.00	摇臂组件	Rocker arm assembly	2
34	0050.F70.R001V.00.00	进排气门弹簧座	Intake and exhaust valve spring seat	2
35	0040.164.0010.00.00	气门弹簧	Valve spring	2
36	0085.164.001V.00.00	挡油罩	Oil baffle	1
37	0160.164.001V.00.00	推杆	Putter	2
38	0030.164.001V.00.00	排气门	Exhaust valve	1
39	0020.164.0011.00.00	进气门	Intake valve	1
40	1030.164.001V.00.00	挺柱	Tappet	2
41	0185.164.002V.00.00	耐磨垫片Φ18×Φ10.2×0.5	Wear resistant gasket	1
42	1040.164.0011.00.00	凸轮轴部件	Camshaft components	1
43	1120.F70.R001V.00.00	气门夹锁	Valve clamp lock	4
44	0818.03006.10.01	十字圆头螺钉3×6	Cross head screw	2
45	4000.474.0040.00.00	步进电机	Stepper motor	1
46	2370.F80.001V.00.00	废气管	Exhaust pipe	1
47	3060.164.0011.00.00	进气口垫片	Air inlet gasket	1
48	2300.164.0011.00.00	化油器接块	Carburetor block	1
49	3080.164.0010.00.00	化油器密封垫	Carburetor gasket	1
50	2260.164.C080.00.00	化油器	Carburetor	1
51	2410.164.0011.00.00	进气弯管	Intake elbow	1
52	6177.06000.00.01	带盘防松螺母M6	Locking nut with disc	2
53	2360.458.R004V.00.00	带形油管夹Φ10	Ribbon tubing clamp	2
54	2330.469.C030.00.21	油管	Tubing	1
55	2325.469.0010.00.00	燃油过滤器	Fuel filter	1
56	2330.148.C040.00.21	油管	Tubing	1
57	2360.458.002V.00.00	带形油管夹Φ8.5	Ribbon tubing clamp	1
58	4000.435.006V.00.00	步进电机	Stepper motor	1
59	4000.J05.0020.00.02	电机定子	Motor stator	1
60	5787.06045.00.01	带盘螺栓M6×45	Bolt	2

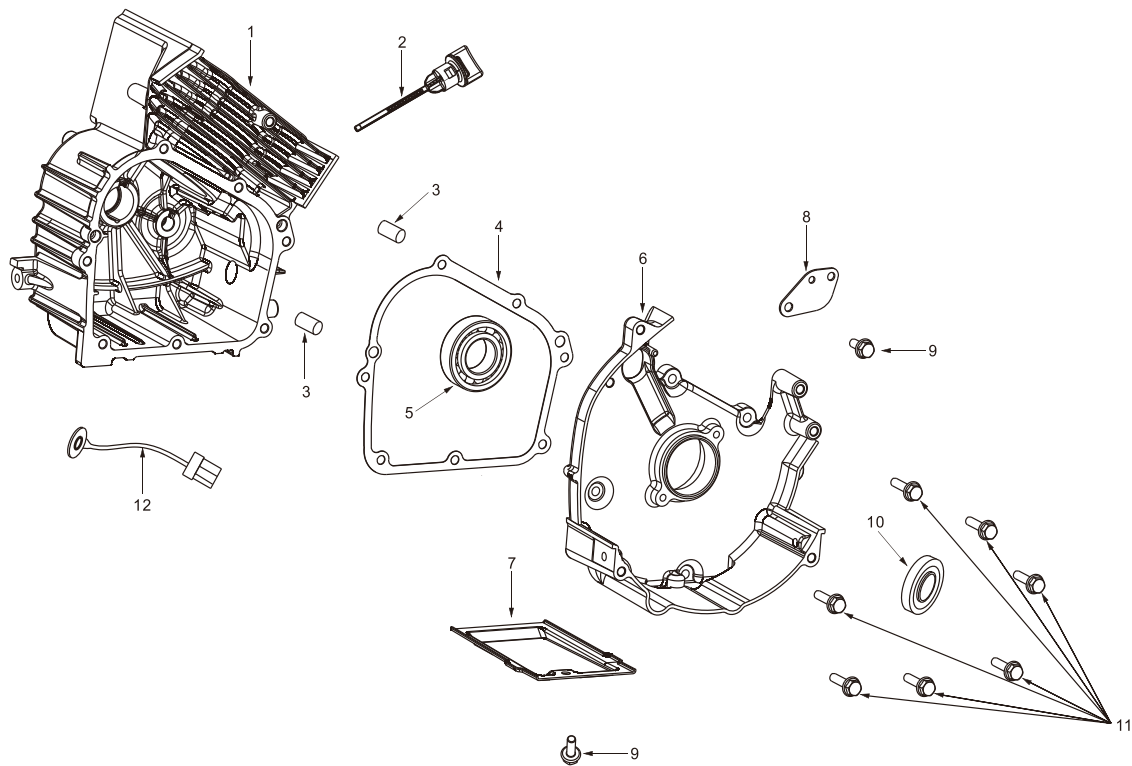
61	4000.474.001V.00.01	电机转子	Motor rotor	1
62	6177.14000.06.01	带盘螺母M14×1.5	Nut with disc	1
63	2030.T48.0020.63.00	叶轮	Impeller	1
64	2020.T48.001V.00.00	启动套	Starting sleeve	1
65	5787.06012.22.01	小盘螺栓M6×12	Bolt	2
66	2000.164.0011.00.00	导风罩组件	Shroud as-air	1
67	2000.T70.001V.04.03	启动手柄	Starting handle	1
68	2186.J05.0010.00.00	拉手盖板	Handle cover plate	1
69	5787.06018.00.01	带盘螺栓M6×18	Bolt	7
70	2000.148.001V.00.04	拉盘	Pulling plate	1
71	1220.188.002V.00.00	压线板	Crimping board	1
72	0210.164.001V.00.00	活塞环组件	Ring as-piston	1
73	0230.160.R001V.00.00	活塞销卡圈	Piston pin circlip	2
74	0200.164.001V.00.00	活塞	Piston	1
75	0220.164.001V.00.00	活塞销	piston pin	1
76	0190.164.001V.00.00	连杆组件	Connecting rod assembly	1
77	0185.164.001V.00.00	耐磨垫片Φ36×Φ25.3×0.5	Wear resistant gasket	1
78	0180.164.0011.60.00	曲轴组件	Crankshaft assembly	1
79	2400.164.001V.00.11	消声器外罩(前)	Muffler cover (front)	1
80	5787.06018.00.01	带盘螺栓M6×18	Bolt	3
81	2400.474.001V.00.00	消声器部件	Muffler components	1
82	5789.06040.00.01	带盘螺栓M6×40	Bolt	1
83	6177.06000.00.01	带盘防松螺母M6	Locking nut with disc	2
84	2400.164.001V.00.12	消声器外罩(后)	Muffler cover (rear)	1
85	0845.42016.00.01	自攻螺钉4.2×16	Self tapping screw	5
86	5789.05020.00.03	带盘螺栓M5×20	Bolt	1
87	1522.164.002V.00.00	点火线圈	Ignition coil	1
88	2050.T48.002V.00.00	触发线圈组件	Trigger coil assembly	1
89	1020.164.0011.00.00	机油报警器	Oil alarm	1
90	5787.06014.00.01	带盘螺栓M6×14	Bolt	2
91	5787.06012.22.01	小盘螺栓M6×12	Bolt	2

GENERATOR-EXPLOSIVE VIEW



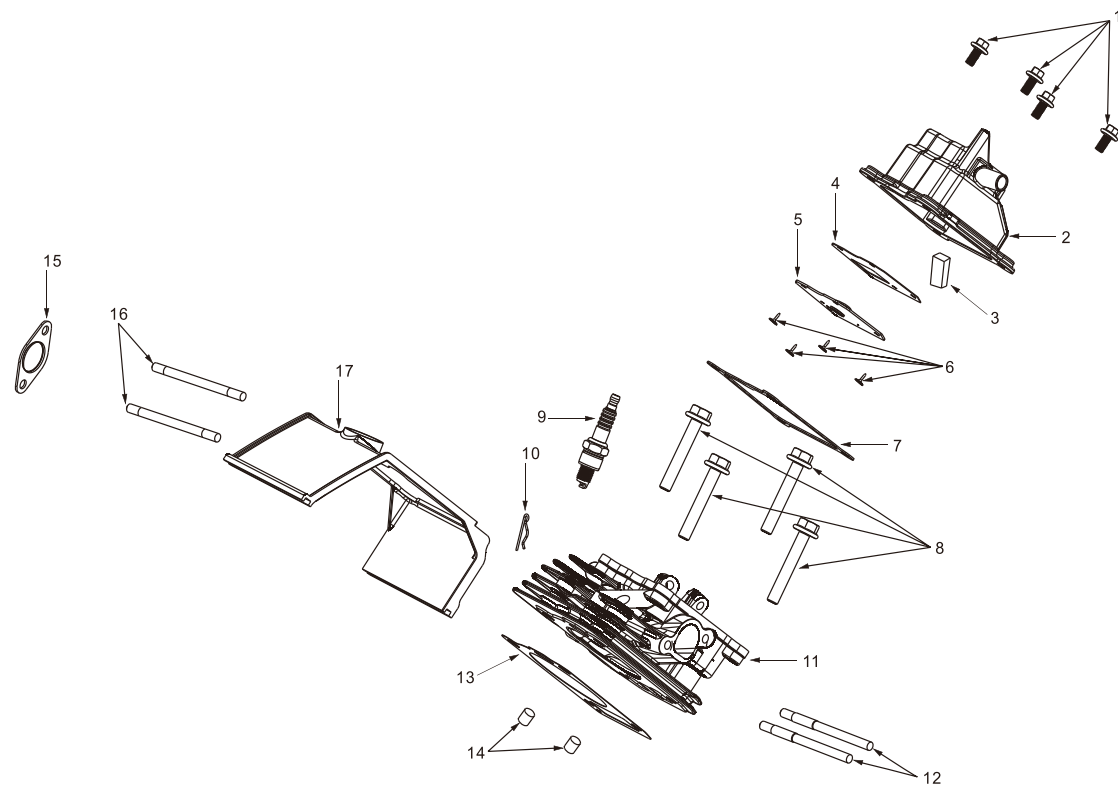
GENERATOR-ITEM NUMBER				
序号	零部件图号	零部件名称	Description	数量
No.	Part No.			Quantity
1	6655.J05.0010.00.00	面板座	panel bed	1
2	3370.J05.0130.00.99	面板	panel	1
3	0818.05016.00.07	十字大盘头螺钉 (5×16)	Cross recessed pan head screw	8
4	9461.J05.0010.00.00	拉杆固定板	Pull rod fixing plate	1
5	2426.J05.0020.P4.00	拉杆组件	Rod components	1
6	0818.05010.00.07	十字大盘头螺钉 (5×10)	Cross recessed pan head screw	2
7	6854.528.0021.00.00	调压整流器	Voltage regulating rectifier	1
8	5787.05016.00.01	带盘螺栓M5×16	Bolt	1
9	4492.J05.1D.02.00	反拖启动模块	Anti-drag startup module	1
10	5789.06014.00.01	带盘螺栓M6×14	Bolt	2
11	3340.J05.0010.00.00	底板部件	Base plate	1
12	9933.J05.0010.00.00	支撑座	Supporting seat	2
13	3360.473.0020.00.00	减震垫	Shock pad	4
14	5789.06018.00.01	带盘螺栓M6×18	Bolt	4
15	6178.05000.00.04	夹片螺母 (M5)	Nut	4
16	3145.469.001V.00.00	T形螺母M6×20	Nut	6
17	2470.J05.0020.00.00	逆变器	Inverter	1
18	3410.467.0040.00.00	接地线	Ground wire	1
19	2473.474.001V.00.00	逆变器固定支耳1	Fixed ears of inverter	1
20	2473.474.002V.00.00	逆变器固定支耳2	Fixed ears of inverter	1
21	5789.06012.00.01	带盘螺栓M6×12	Bolt	4
22	0818.05016.00.07	十字大盘头螺钉5×16	Cross recessed pan head screw	1
23	4100.P75.001V.00.00	垫片Φ6×Φ13×2	Shim	1
24	7390.J05.0010.00.00	前轮	Wheel	2
25	3335.J05.0010.00.00	轮轴	The shaft pin	2
26	1120.188.001V.00.00	调速摆杆锁夹	Speed control swing lock clip	2
27	2461.J05.0010.00.00	锂电池	Lithium battery	1

28	3331.J05.0010.00.01	电池盒	Cell box	1
29	3200.J05.0010.00.00	油箱部件	Tank, Fuel	1
30	3200.467.001V.00.02	燃油滤网	Fuel filter	1
31	3200.J05.0010.00.03	注油口胶套	Sheath	1
32	3200.474.C010.00.01	油箱盖	Tank cap	1
33	7868.469.001V.00.00	油箱支撑胶套NR	Sheath	3
34	3208.P70.001V.00.00	过滤嘴	Filt tip	1
35	2360.458.R007V.00.00	带形油管夹Φ11	Ferrule	2
36	2330.469.C010.00.21	油管	Oil tube	1
37	2332.467.006V.00.00	硅胶保护套Φ10×50	Sheath	1
38	2360.458.R003V.00.00	带形油管夹Φ8	Ferrule	2
39	5522.467.003V.00.00	油箱减震胶套C	Damping rubber sleeve for oil tank	1
40	2330.528.C080.00.00	燃油蒸发收集管	Fuel oil evaporation collection pipe	1
41	2420.J05.0010.04.00	消声器护罩	Muffler shield	1
42	0818.05016.00.07	十字大盘头螺钉(5×16)	Screw	8
43	7824.474.001V.00.00	消声器密封胶套	Muffler sealant sleeve	1
44	5598.467.001V.00.00	梅花孔挡圈	Plum ring	4
45	0819.04212.00.01	十字沉头自攻螺钉4.2×12	Cross countersunk head tapping screw	3
46	1560.J05.0010.04.00	旋钮	rotary knob	1
47	5596.J05.0010.P4.00	左外观盖板	ornament shell	1
48	7344.446.0010.00.00	内六角螺栓	Bolt	3
49	5324.J05.0010.00.00	夹片卡	Clip	5
50	0818.05016.00.07	十字大盘头螺钉5×16	Screw	4
51	2220.J05.0010.04.00	左外壳部件	Left shell	1
52	6178.05000.00.04	夹片螺母(M5)	Nut	4
53	2140.464.001V.00.00	三合一开关	Three in one switch	1
54	2141.467.001V.P4.00	三合一开关手柄	Three in one switch handle	1
55	0818.04014.00.01	螺钉M4×14	Screw	1
56	2222.J05.0010.04.00	右外壳部件	Right shell	1
57	1560.J05.0010.04.00	旋钮	Rotary knob	1
58	6178.05000.00.04	夹片螺母(M5)	Nut	4
59	6234.467.002V.00.00	发动机缓冲胶垫B	sheath	1
60	4259.J05.0010.04.00	火花塞盖板	Spark-plug outer cover	1
61	4562.469.001V.00.00	防丢橡胶条NR	Anti loss rubber strip	1
62	5324.J05.0010.00.00	夹片卡	Clip	5
63	7344.446.0010.00.00	内六角螺栓	Bolt	3
64	5596.J05.0020.P4.00	右外观盖板	Right exterior cover	1
65	BP00.083.007.06	DK164F/P-2动力	Engine	1



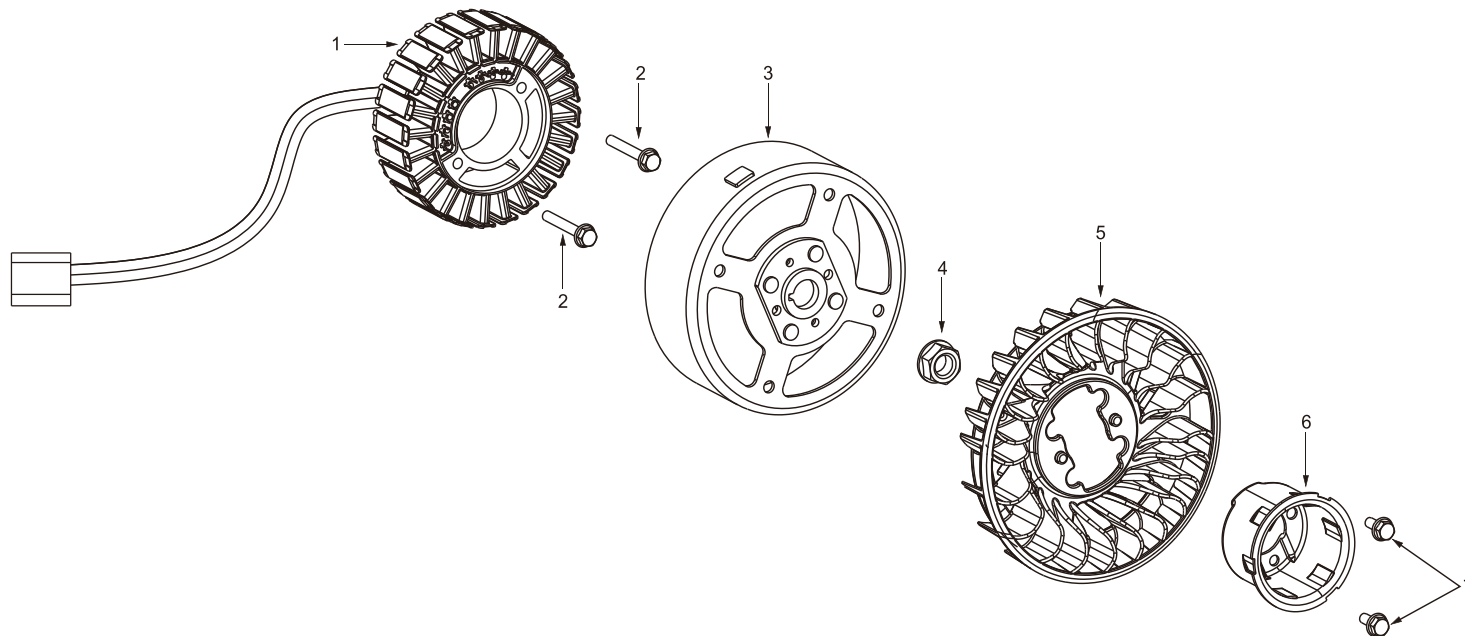
曲轴箱 (Crankcase)

序号 No.	零部件图号 Part No.	零部件名称	Description	数量 Quantity
1	1000.164.001V.00.00	曲轴箱体	Crank case	1
2	1230.164.001V.00.00	机油尺组件	Dipstick assembly	1
3	3170.188.001V.00.00	定位销8×12	Locating pin	2
4	3040.164.001V.00.00	曲轴箱垫	Crankcase gasket	1
5	0270.168.001V.00.00	轴承6205	Bearing	1
6	1010.164.001V.00.00	曲轴箱盖	Crankcase cover	1
7	2230.164.001V.00.00	下导风罩	Lower wind deflector	1
8	2090.164.001V.00.00	压线板	Crimping board	1
9	5787.06012.00.01	带盘螺栓M6×12	Bolt	2
10	3150.168.001V.00.00	油封25×41.25×6	Oil seal	1
11	5787.06025.00.01	带盘螺栓M6×25	Bolt	7
12	1025.464.0020.00.00	温度传感器	Temperature sensor	1



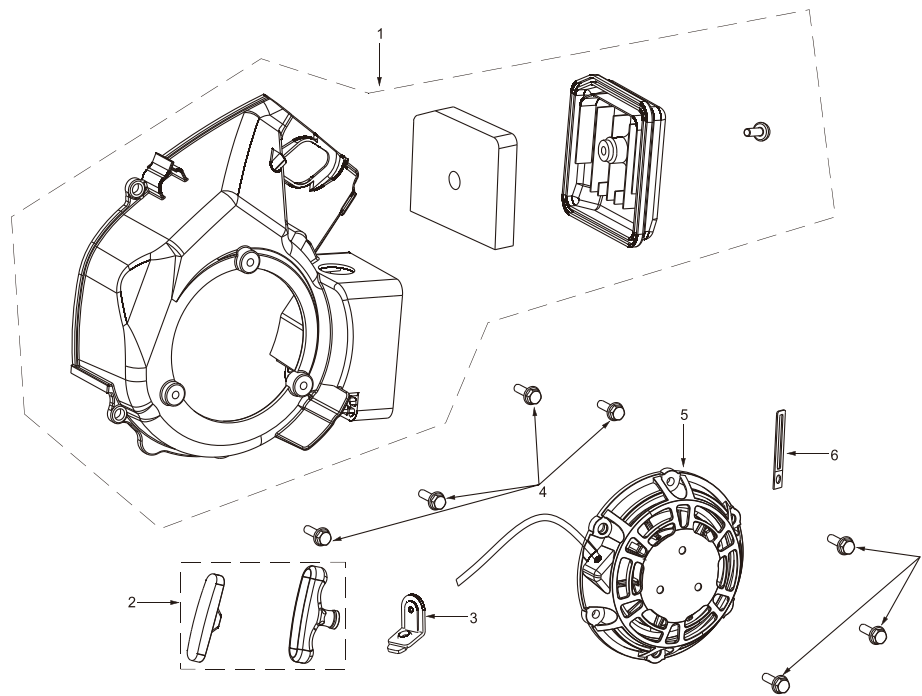
缸头盖组件 (Cylinder head cover assembly)

序号	零部件图号	零部件名称	Description	数量
No.	Part No.			Quantity
1	5789.06018.00.01	带盘螺栓M6×18	Bolt	4
2	0001.164.001V.00.00	缸头盖	Cover subassembly,Cylinder head	1
3	7080.165.001V.00.00	机油滤网45×25×12.5	Oil screen	1
4	3097.164.001V.00.00	呼吸槽密封垫	Sealing gasket of breathing tank	1
5	3088.164.001V.00.00	呼吸阀盖板	Breathing valve cover plate	1
6	0818.04008.00.01	十字圆头螺钉4×8	Cross head screw	4
7	3000.164.001V.00.00	缸头盖垫	Cylinder head cover pad	1
8	5789.08060.00.10	带盘螺栓M8×60	Bolt	4
9	2160.148.R001V.00.00	火花塞	Spark plug	1
10	1120.188.001V.00.00	调速摆杆锁夹	Locking clamp of speed regulating swing rod	1
11	0010.164.0060.00.00	气缸头	Cylinder head	1
12	R0900.06092.00.00	双头螺栓	Stud bolt	2
13	3020.164.001V.00.00	缸头垫	Gasket,Cylinder head	1
14	3170.168.002V.00.00	定位销10×14	Pin	2
15	3100.164.001V.00.00	排气口密封垫	Exhaust port gasket	1
16	7071.165.001V.00.00	双头螺栓M6×78	Limit plate gasket	2
17	2230.164.002V.00.00	导风板	Wind deflector	1



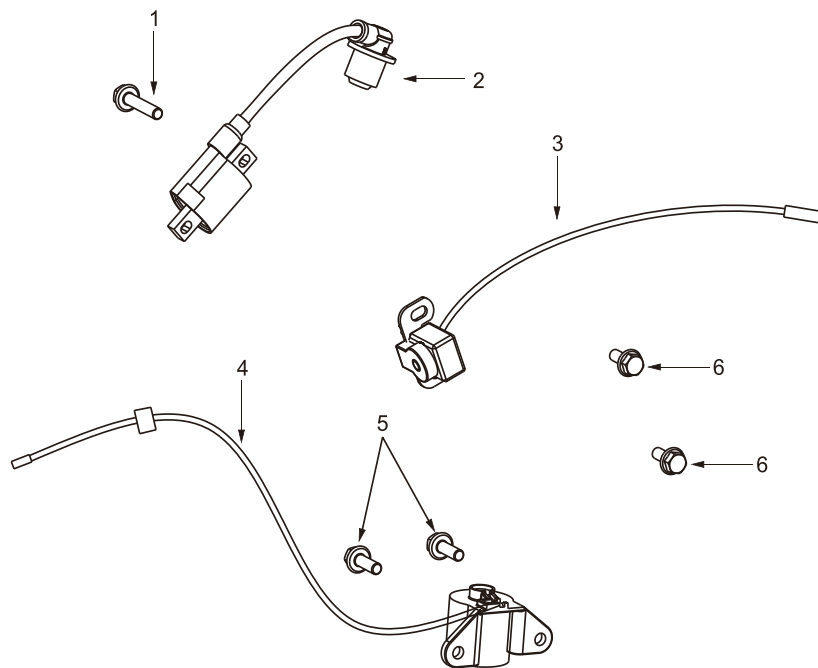
电机组件 (Motor assembly)

序号 No.	零部件图号 Part No.	零部件名称	Description	数量 Quantity
1	4000. J12. 0010. 00. 02	电机定子	Motor stator	1
2	5787. 06045. 00. 01	带盘螺栓M6×45	Bolt	2
3	4000. 474. 0020. 00. 01	电机转子	Motor rotor	1
4	6177. 14000. 06. 01	带盘螺母M14×1.5	Nut with disc	1
5	2030. T48. 0020. 63. 00	叶轮	Impeller	1
6	2020. T48. 001V. 00. 00	启动套	Starting sleeve	1
7	5787. 06012. 22. 01	小盘螺栓M6×12	Bolt	2



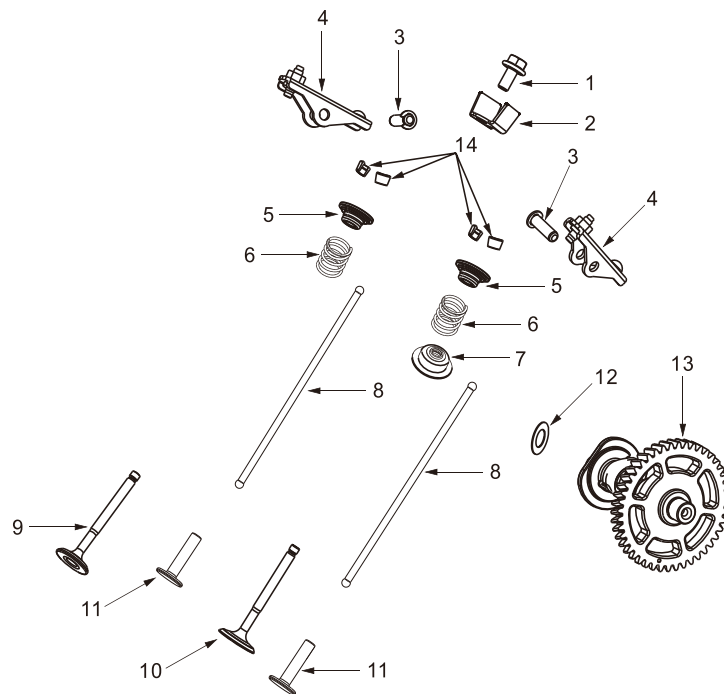
单机起动器 (Engine Starter)

序号 No.	零部件图号 Part No.	零部件名称	Description	数量 Quantity
1	2000.164.0012.00.00	导风罩组件	Shroud as-air	1
2	2000.T70.001V.04.03	启动手柄	Starting handle	1
3	2186.J05.0010.00.00	拉手盖板	Handle cover plate	1
4	5787.06018.00.01	带盘螺栓M6×18	Bolt	7
5	2000.148.001V.00.04	拉盘	Pulling plate	1
6	1220.188.002V.00.00	压线板	Crimping board	1



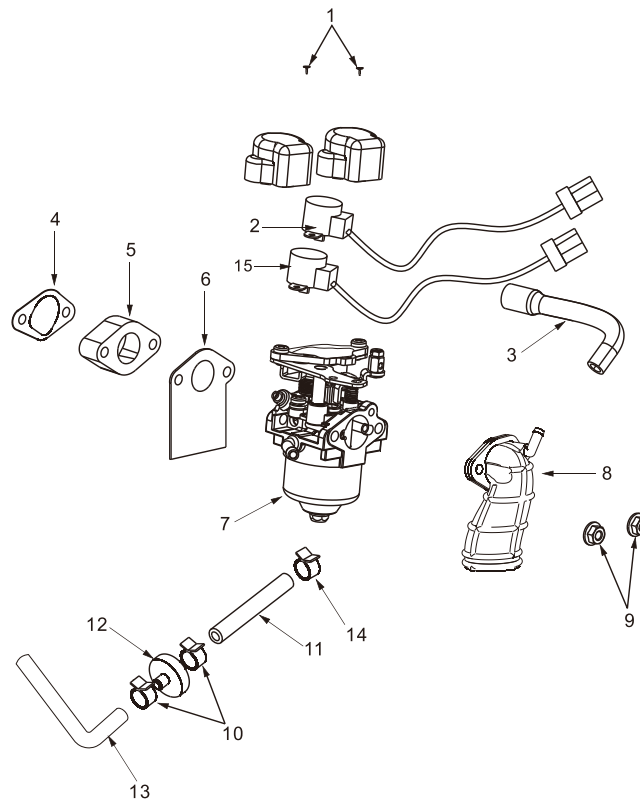
点火线圈/机油报警器/触发线圈 (IGNITION COIL/WARNING DEVICE/TRIGGER COIL)

序号 No.	零部件图号 Part No.	零部件名称	Description	数量 Quantity
1	5789.05020.00.03	带盘螺栓M5×20	Bolt	1
2	1522.164.002V.00.00	点火线圈	Ignition coil	1
3	2050.T48.002V.00.00	触发线圈组件	Trigger coil assembly	1
4	1020.164.0011.00.00	机油报警器	Oil alarm	1
5	5787.06014.00.01	带盘螺栓M6×14	Bolt	2
6	5787.06012.22.01	小盘螺栓M6×12	Bolt	2



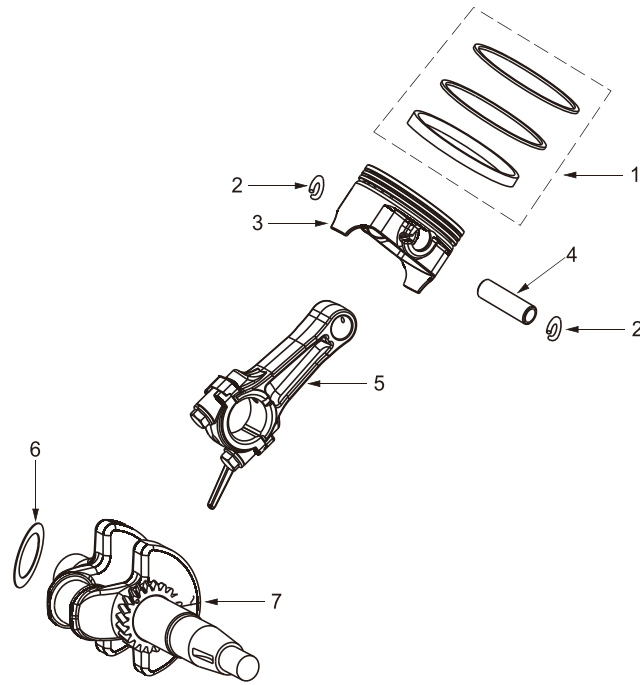
配气机构 (Camshaft parts)

序号 No.	零部件图号 Part No.	零部件名称	Description	数量 Quantity
1	5787.06010.00.01	带盘螺栓M6×10	Bolt	1
2	0107.164.001V.00.00	摇臂轴挡块	Rocker shaft stop	1
3	0100.P62.R001V.00.01	摇臂销	Rocker pin	2
4	0100.164.001V.00.00	摇臂组件	Rocker arm assembly	2
5	0050.F70.R001V.00.00	进排气门弹簧座	Intake and exhaust valve spring seat	2
6	0040.164.0010.00.00	气门弹簧	Valve spring	2
7	0085.164.001V.00.00	挡油罩	Oil baffle	1
8	0160.164.001V.00.00	推杆	Putter	2
9	0030.164.001V.00.00	排气门	Exhaust valve	1
10	0020.164.0011.00.00	进气门	Intake valve	1
11	1030.164.001V.00.00	挺柱	Tappet	2
12	0185.164.002V.00.00	耐磨垫片Φ18×Φ10.2×0.5	Wear resistant gasket	1
13	1040.164.0011.00.00	凸轮轴部件	Camshaft components	1
14	1120.F70.R001V.00.00	气门夹锁	Valve clamp lock	4



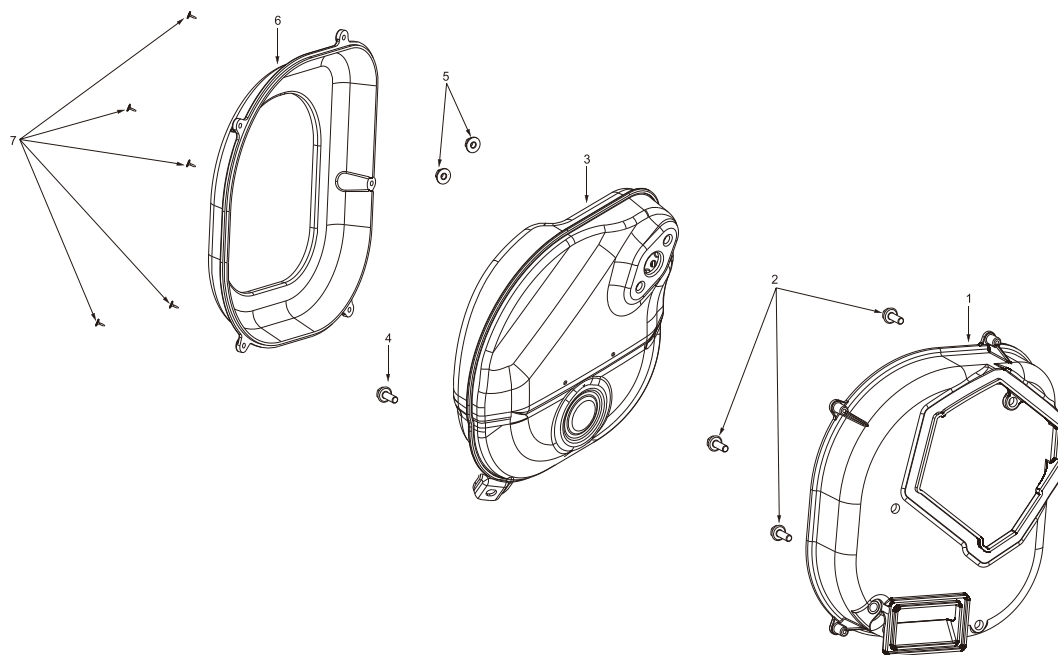
化油器部件 (Carburetor parts)

序号 No.	零部件图号 Part No.	零部件名称	Description	数量 Quantity
1	0818.03006.10.01	十字圆头螺钉3×6	Cross head screw	2
2	4000.474.0040.00.00	步进电机	Stepper motor	1
3	2370.F80.001V.00.00	废气管	Exhaust pipe	1
4	3060.164.0011.00.00	进气口垫片	Air inlet gasket	1
5	2300.164.0011.00.00	化油器接块	Carburetor block	1
6	3080.164.0010.00.00	化油器密封垫	Carburetor gasket	1
7	2260.164.C080.00.00	化油器	Carburetor	1
8	2410.164.0011.00.00	进气弯管	Intake elbow	1
9	6177.06000.00.01	带盘防松螺母M6	Locking nut with disc	2
10	2360.458.R004V.00.00	带形油管夹Φ10	Ribbon tubing clamp	2
11	2330.469.C030.00.21	油管	Tubing	1
12	2325.469.0010.00.00	燃油过滤器	Fuel filter	1
13	2330.148.C040.00.21	油管	Tubing	1
14	2360.458.002V.00.00	带形油管夹Φ8.5	Ribbon tubing clamp	1
15	4000.435.006V.00.00	步进电机	Stepper motor	1



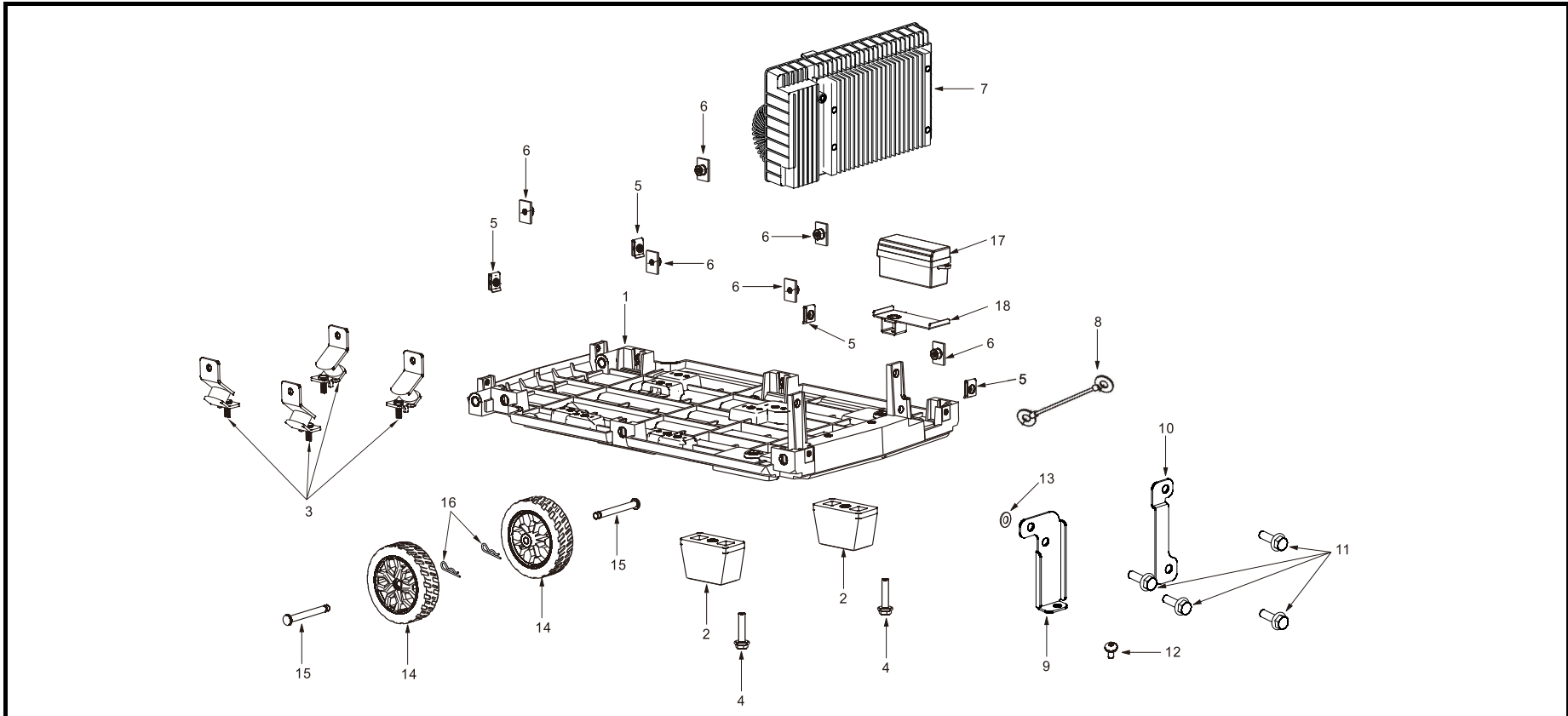
活塞组件 (Piston parts)

序号 No.	零部件图号 Part No.	零部件名称	Description	数量 Quantity
1	0210.164.001V.00.00	活塞环组件	Ring as-piston	1
2	0230.160.R001V.00.00	活塞销卡圈	Piston pin circlip	2
3	0200.164.001V.00.00	活塞	Piston	1
4	0220.164.001V.00.00	活塞销	piston pin	1
5	0190.164.001V.00.00	连杆组件	Connecting rod assembly	1
6	0185.164.001V.00.00	耐磨垫片 $\Phi 36 \times \Phi 25.3 \times 0.5$	Wear resistant gasket	1
7	0180.164.0011.60.00	曲轴组件	Crankshaft assembly	1



消声器 (Muffler parts)

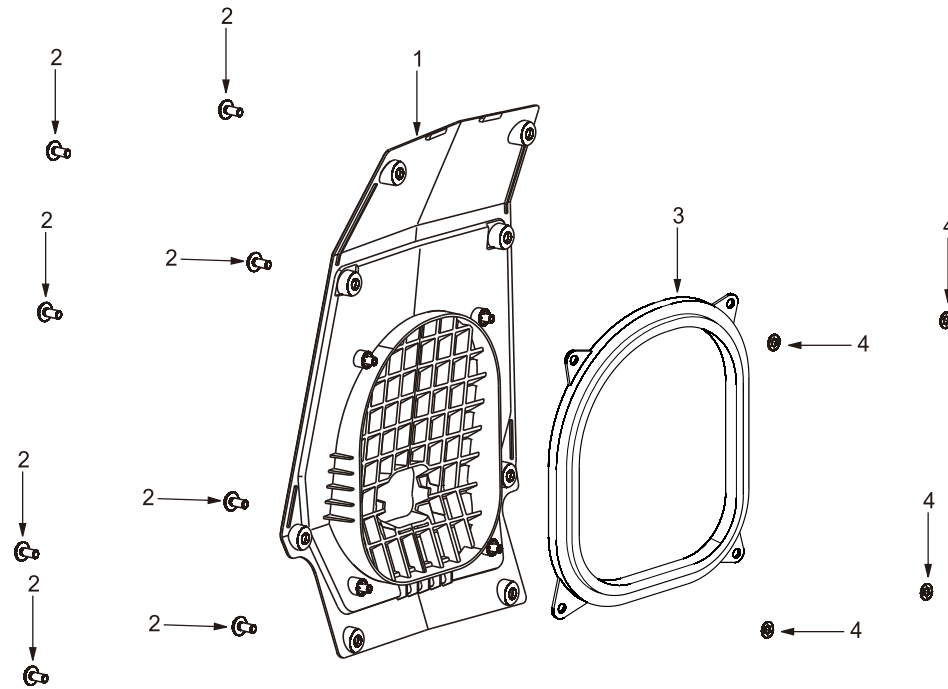
序号 No.	零部件图号 Part No.	零部件名称	Description	数量 Quantity
1	2400.164.001V.00.11	消声器外罩 (前)	Muffler cover (front)	1
2	5787.06018.00.01	带盘螺栓M6×18	Bolt	3
3	2400.474.001V.00.00	消声器部件	Muffler components	1
4	5789.06040.00.01	带盘螺栓M6×40	Bolt	1
5	6177.06000.00.01	带盘防松螺母M6	Locking nut with disc	2
6	2400.164.001V.00.12	消声器外罩 (后)	Muffler cover (rear)	1
7	0845.42016.00.01	自攻螺钉4.2×16	Self tapping screw	5



底板/逆变器 (Backplane / Inverter)

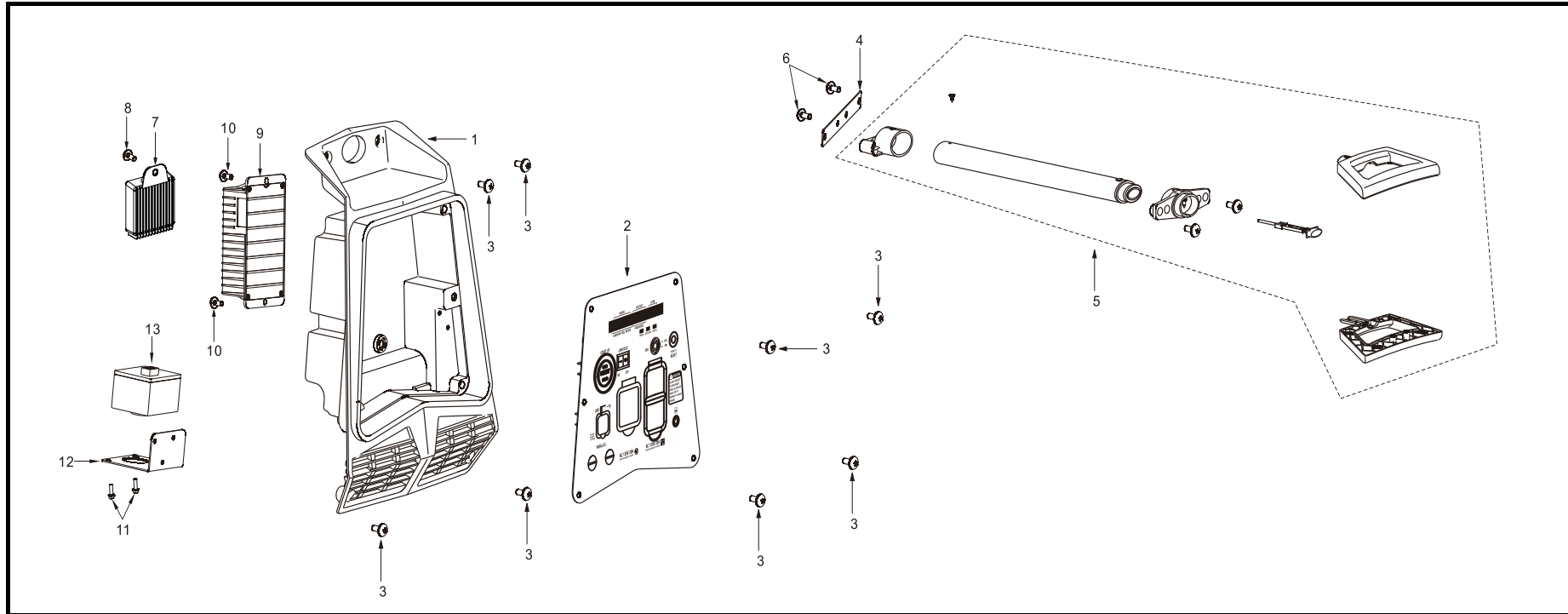
序号 No.	零部件图号 Part No.	零部件名称	Description	数量 Quantity
1	3340.J05.0010.00.00	底板部件	Base plate	1
2	9933.J05.0010.00.00	支撑座	Supporting seat	2
3	3360.473.0020.00.00	减震垫	Shock pad	4
4	5789.06018.00.01	带盘螺栓M6×18	Bolt	4
5	6178.05000.00.04	夹片螺母 (M5)	Nut	4
6	3145.469.001V.00.00	T形螺母M6×20	Nut	6
7	2470.J12.0010.00.00	逆变器	Inverter	1
8	3410.467.0050.00.00	接地线	Ground wire	1
9	2473.474.001V.00.00	逆变器固定支耳1	Fixed ears of inverter	1

10	2473.474.002V.00.00	逆变器固定支耳2	Fixed ears of inverter	1
11	5789.06012.00.01	带盘螺栓M6×12	Bolt	4
12	0818.05016.00.07	十字大盘头螺钉5×16	Cross recessed pan head screw	1
13	4100.P75.001V.00.00	垫片Φ6×Φ13×2	Shim	1
14	7390.J05.0010.00.00	前轮	Wheel	2
15	3335.J05.0010.00.00	轮轴	The shaft pin	2
16	1120.188.001V.00.00	调速摆杆锁夹	Speed control swing lock clip	2
17	2461.J05.0010.00.00	锂电池	Lithium battery	1
18	3331.J05.0010.00.01	电池盒	Cell box	1



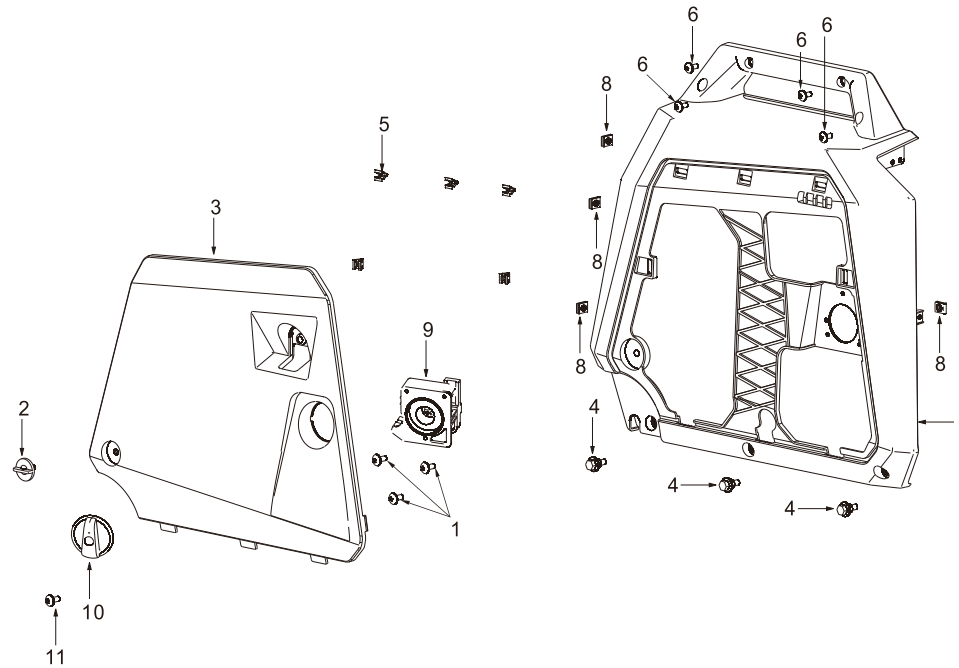
消声器护罩 (Muffler shield)

序号 No.	零部件图号 Part No.	零部件名称	Description	数量 Quantity
1	2420.J05.0010.04.00	消声器护罩	Muffler shield	1
2	0818.05016.00.07	十字大盘头螺钉 (5×16)	Screw	8
3	7824.474.001V.00.00	消声器密封胶套	Muffler sealant sleeve	1
4	5598.467.001V.00.00	梅花孔挡圈	Plum ring	4



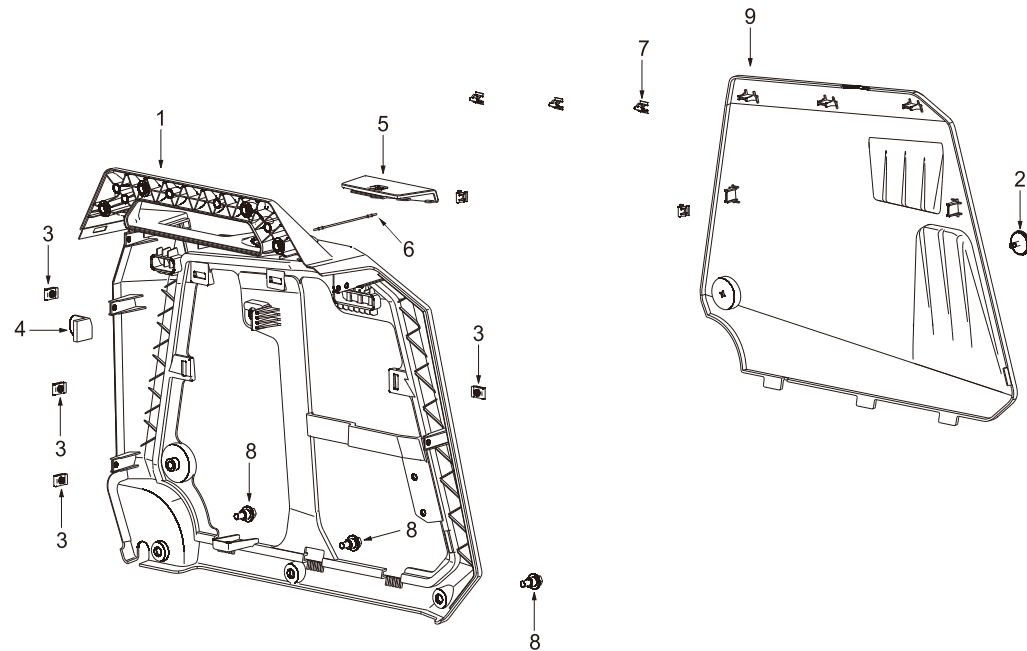
面板 (Panel)

序号 No.	零部件图号 Part No.	零部件名称	Description	数量 Quantity
1	3370.J12.L020.00.99	面板座	panel bed	1
2	3370.J12.L020.00.99	面板	panel	1
3	0818.05016.00.07	十字大盘头螺钉 (5×16)	Cross recessed pan head screw	8
4	9461.J05.0010.00.00	拉杆固定板	Pull rod fixing plate	1
5	2426.J05.0020.P4.00	拉杆组件	Rod components	1
6	0818.05010.00.07	十字大盘头螺钉 (5×10)	Cross recessed pan head screw	2
7	6854.J12.0010.00.00	调压整流器	Voltage regulating rectifier	1
8	5787.05016.00.01	带盘螺栓M5×16	Bolt	1
9	4492.J05.0040.00.00	反拖启动模块	Anti-drag startup module	1
10	5789.06014.00.01	带盘螺栓M6×14	Bolt	2
11	6111.469.0020.00.00	螺栓 M3*10	Bolt	5
12	5529.000.0010.00.00	CO报警器支架	CO alarm bracket	1
13	5528.000.0050.00.00	CO报警器	CO alarm	1



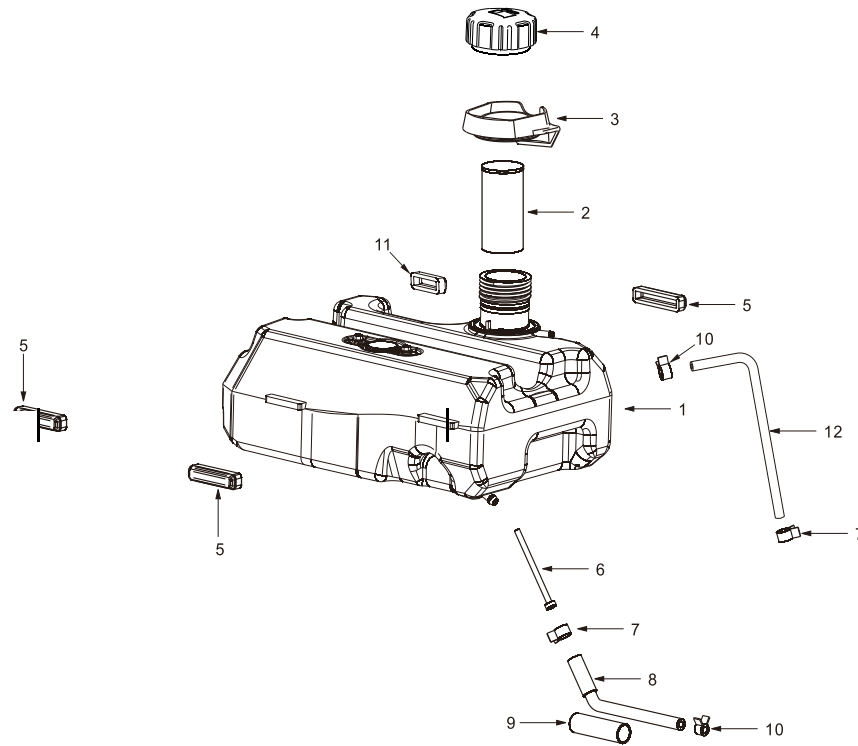
左外观盖板 (Left exterior cover)

序号 No.	零部件图号 Part No.	零部件名称	Description	数量 Quantity
1	0819.04212.00.01	十字沉头自攻螺钉4.2×12	Cross countersunk head tapping screw	3
2	1560.J05.0010.04.00	旋钮	rotary knob	1
3	5596.J05.0010.P4.00	左外观盖板	ornament shell	1
4	7344.446.0010.00.00	内六角螺栓	Bolt	3
5	5324.J05.0010.00.00	夹片卡	Clip	5
6	0818.05016.00.07	十字大盘头螺钉5×16	Screw	4
7	2220.J05.0010.04.00	左外壳部件	Left shell	1
8	6178.05000.00.04	夹片螺母(M5)	Nut	4
9	2140.464.001V.00.00	三合一开关	Three-in-one switch	1
10	2141.467.001V.P4.00	三合一开关手柄	Three-in-one switch handle	1
11	0818.04014.00.01	螺钉M4×14	Screw	1



右外观盖板 (Right exterior cover)

序号 No.	零部件图号 Part No.	零部件名称	Description	数量 Quantity
1	2222.J05.0010.04.00	右外壳部件	Right shell	1
2	1560.J05.0010.04.00	旋钮	Rotary knob	1
3	6178.05000.00.04	夹片螺母 (M5)	Nut	4
4	6234.467.002V.00.00	发动机缓冲胶垫B	sheath	1
5	4259.J05.0010.04.00	火花塞盖板	Spark-plug outer cover	1
6	4562.469.001V.00.00	防丢橡胶条NR	Anti loss rubber strip	1
7	5324.J05.0010.00.00	夹片卡	Clip	5
8	7344.446.0010.00.00	内六角螺栓	Bolt	3
9	5596.J05.0020.P4.00	右外观盖板	Right exterior cover	1



燃油箱部件 (Fuel tank components)

序号 No.	零部件图号 Part No.	零部件名称	Description	数量 Quantity
1	3200.J05.C010.00.00	油箱部件	Tank, Fuel	1
2	3200.474.C010.00.02	燃油滤网	Fuel filter	1
3	3200.J05.0010.00.03	注油口胶套	Sheath	1
4	3200.474.C010.00.01	油箱盖	Tank cap	1
5	7868.469.001V.00.00	油箱支撑胶套NR	Sheath	3
6	3208.P70.001V.00.00	过滤嘴	Filt tip	1
7	2360.458.R007V.00.00	带形油管夹Φ11	Ferrule	2
8	2330.469.C010.00.22	油管	Oil tube	1
9	2332.467.006V.00.00	硅胶保护套Φ10×50	Sheath	1
10	2360.458.R003V.00.00	带形油管夹Φ8	Ferrule	2
11	5522.467.003V.00.00	油箱减震胶套C	Damping rubber sleeve for oil tank	1
12	2330.460.C09V.00.00	燃油蒸发收集管	Fuel oil evaporation collection pipe	1