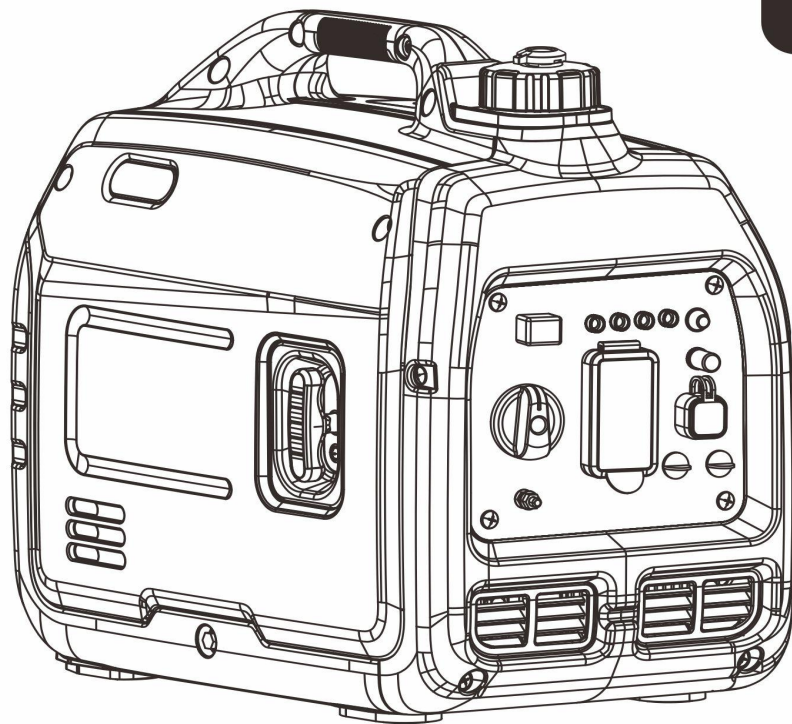


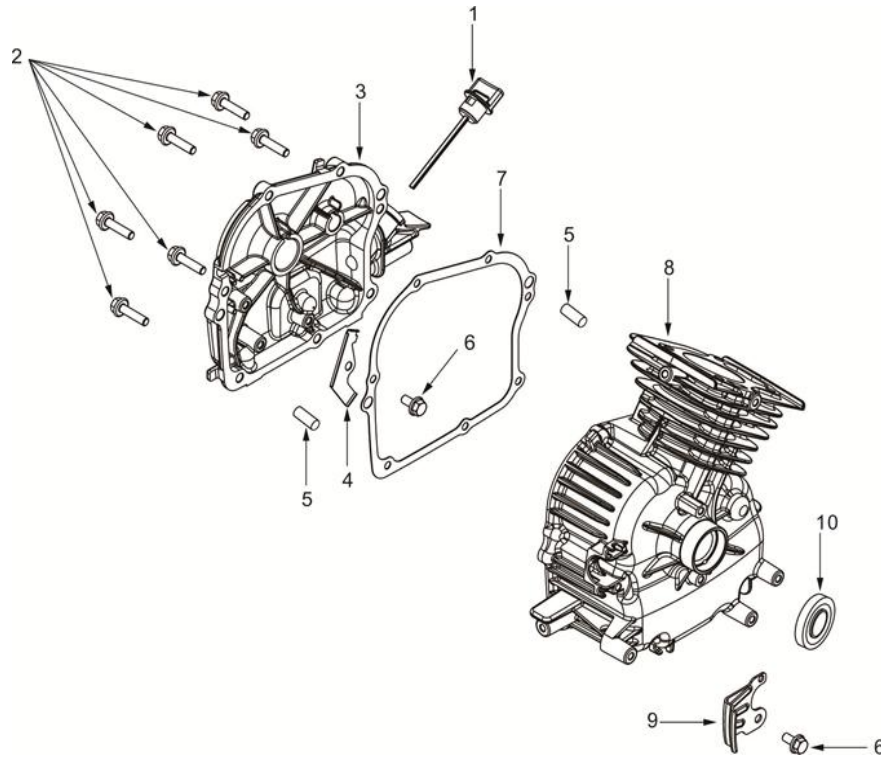
零部件图册

PARTS CATALOG



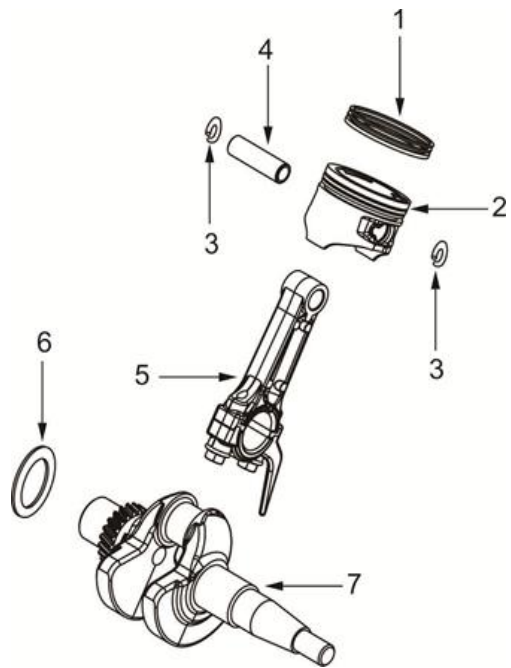
GM2200i

Inverter Generator



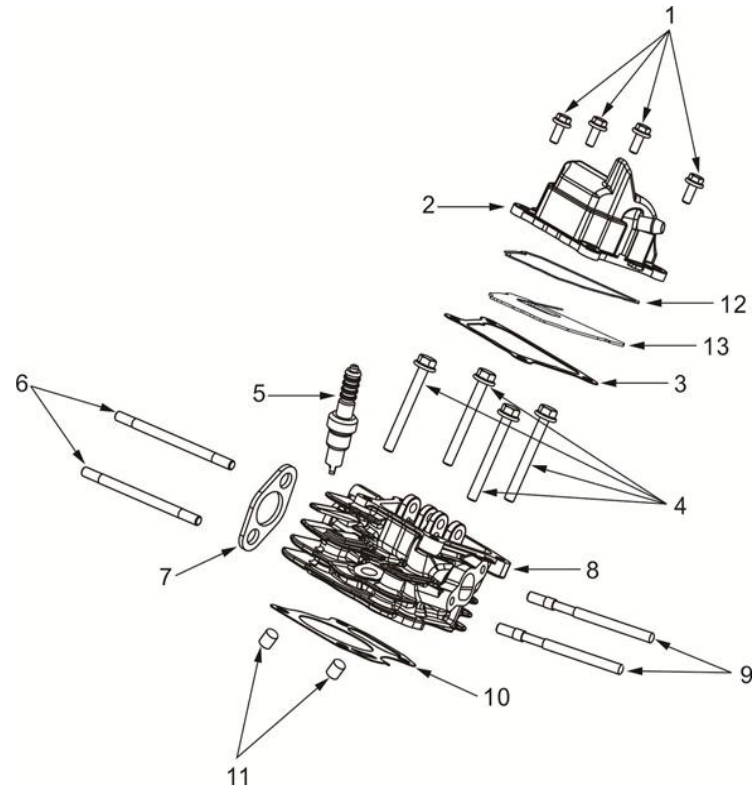
曲轴箱 (Crankcase)

| 序号 No. | 零部件图号 Part No. | 零部件名称 | Description | 数量 Quantity |
|-----------|---------------------|-----------|-----------------------------|----------------|
| 1 | 1230.T48.001V.04.00 | 机油尺组件 | Dipstick subassembly, Oil | 1 |
| 2 | 5787.06025.00.01 | 带盘螺栓M6×25 | Bolt | 6 |
| 3 | 1010.T48.001V.00.00 | 曲轴箱盖 | Over subassembly, Crankcase | 1 |
| 4 | 2090.148.001V.00.00 | 机油报警器压块 | Oil alarm block | 1 |
| 5 | 3170.188.001V.00.00 | 定位销8×12 | Pin | 2 |
| 6 | 5787.06012.00.01 | 带盘螺栓M6×12 | Bolt | 2 |
| 7 | 3040.T48.001V.00.00 | 曲轴箱垫 | Over subassembly, Crankcase | 1 |
| 8 | 1000.T48.001V.00.00 | 曲轴箱体 | Crankcase subassembly | 1 |
| 9 | 2090.T48.001V.00.00 | 压线板 | Crimping board | 1 |
| 10 | 3150.T48.001V.00.00 | 油封20×32×6 | oil seal | 1 |



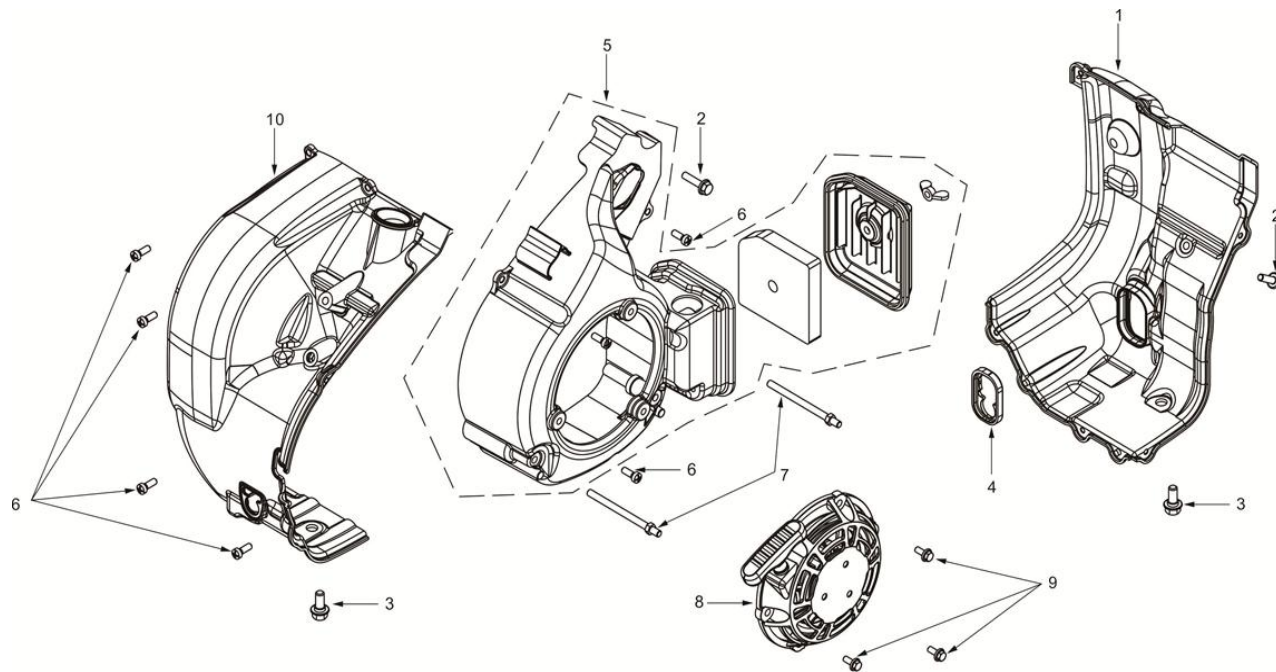
曲轴 (Crankshaft)

| 序号 No. | 零部件图号 Part No. | 零部件名称 | Description | 数量 Quantity |
|-----------|---------------------|-------|-------------------|----------------|
| 1 | 0210.148.001V.00.00 | 活塞环组件 | Ring set, Oil | 1 |
| 2 | 0200.148.001V.00.00 | 活塞 | Piston | 1 |
| 3 | 0230.148.001V.00.00 | 活塞销卡圈 | Clip, Piston pin | 2 |
| 4 | 0220.148.001V.00.00 | 活塞销 | Pin, Piston | 1 |
| 5 | 0190.148.001V.00.00 | 连杆组件 | Rod, Connecting | 1 |
| 6 | 0185.T48.001V.00.00 | 曲轴垫片 | Crankshaft gasket | 1 |
| 7 | 0180.T48.001V.00.00 | 曲轴组件 | Crankshaft assy | 1 |



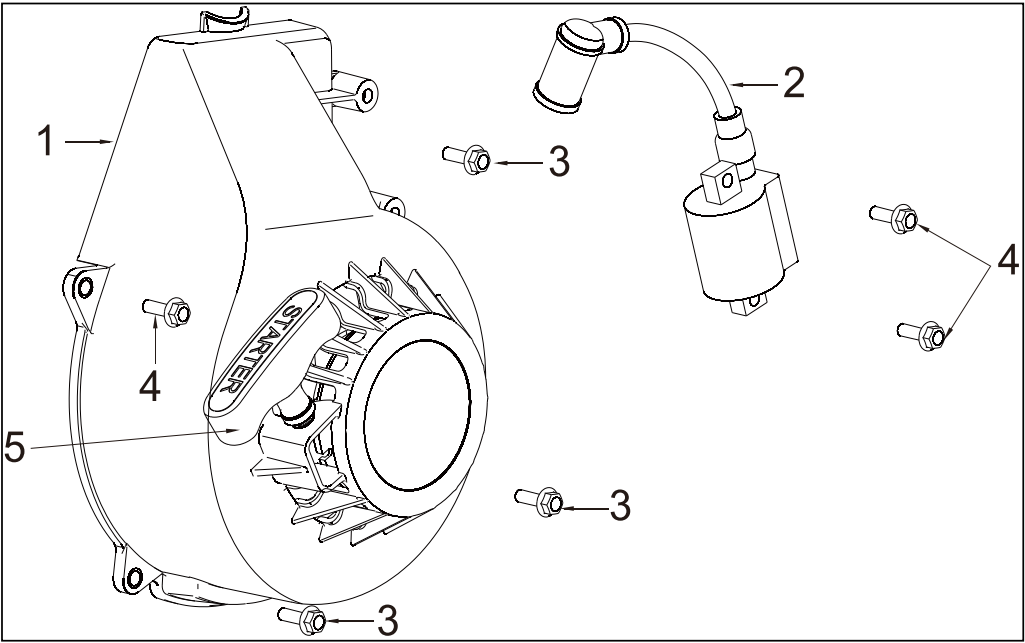
缸头组件 (Cylinder head parts)

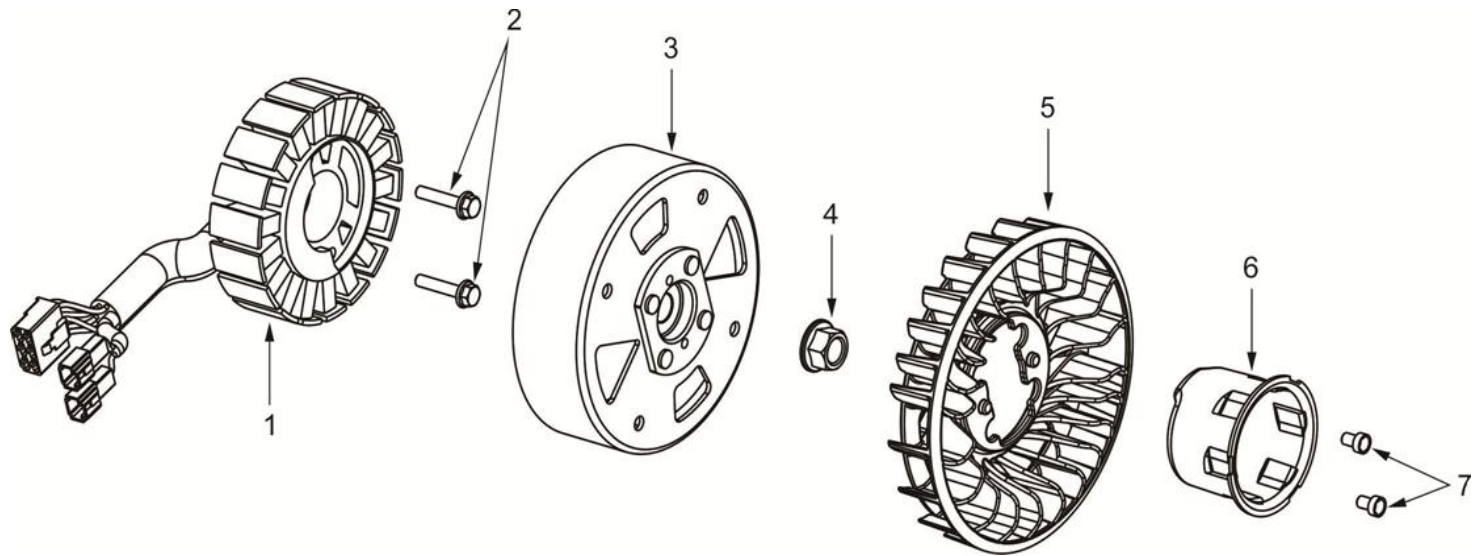
| 序号 No. | 零部件图号 Part No. | 零部件名称 | Description | 数量 Quantity |
|-----------|----------------------|-------------|---------------------------------|----------------|
| 1 | 5789.06020.00.01 | 带盘螺栓M6×20 | Bolt | 4 |
| 2 | 0001.148.001V.00.00 | 缸头盖 | Cover subassembly,Cylinder head | 1 |
| 3 | 3000.148.001V.00.00 | 缸头盖密封垫 | Gasket,Cover subassembly | 1 |
| 4 | 5789.06050.00.03 | 带盘螺栓M6×50 | Bolt | 4 |
| 5 | 2160.148.R001V.00.00 | 火花塞A5RTC | Plug, Spark | 1 |
| 6 | 7071.165.001V.00.00 | 双头螺栓M6×78 | Bolt | 2 |
| 7 | 3100.148.001V.00.00 | 排气口密封垫 | Gasket,Exhaust outlet | 1 |
| 8 | 0010.T48.0011.00.00 | 气缸头 | Cylinder head | 1 |
| 9 | 0900.06088.00.01 | 双头螺栓 (6×88) | Bolt | 2 |
| 10 | 3020.148.001V.00.00 | 缸头垫 | Gasket,Cylinder head | 1 |
| 11 | 3170.188.001V.00.00 | 定位销8×12 | Pin | 2 |
| 12 | 7061.148.001V.00.00 | 限位板密封垫 | Limit plate gasket | 1 |
| 13 | 3088.148.001V.00.00 | 呼吸阀限位板 | Breathing valve limit plate | 1 |



单机起动器 (Engine Starter)

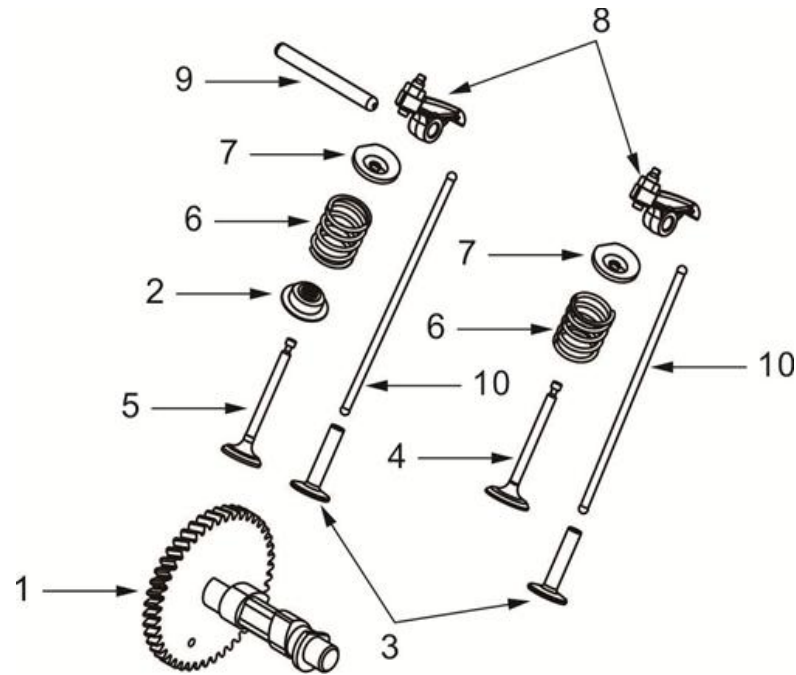
| 序号 No. | 零部件图号 Part No. | 零部件名称 | Description | 数量 Quantity |
|-----------|---------------------|-------------|------------------------------|----------------|
| 1 | 2269.T48.001V.00.00 | 后护罩壳 | Rear shield housing | 1 |
| 2 | 5789.06020.00.01 | 带盘螺栓M6×20 | Bolt | 2 |
| 3 | 7344.T48.001V.00.00 | 螺栓8×18 | Bolt | 2 |
| 4 | 5231.T48.001V.00.00 | 后护罩橡胶套 | Rubber sleeve of rear shield | 1 |
| 5 | 2000.T48.001V.00.03 | 导风罩 | Wind deflector | 1 |
| 6 | 0845.48020.00.01 | 自攻螺钉M4.8×20 | Self tapping screw | 6 |
| 7 | 7071.T48.001V.00.00 | 双头支撑螺栓6×90 | Stud support bolt | 2 |
| 8 | 2000.148.001V.00.04 | 拉盘 | Pulling plate | 1 |
| 9 | 5787.06016.00.01 | 带盘螺栓M6×16 | Bolt | 3 |
| 10 | 2268.T48.001V.00.00 | 前护罩壳 | Front shield housing | 1 |





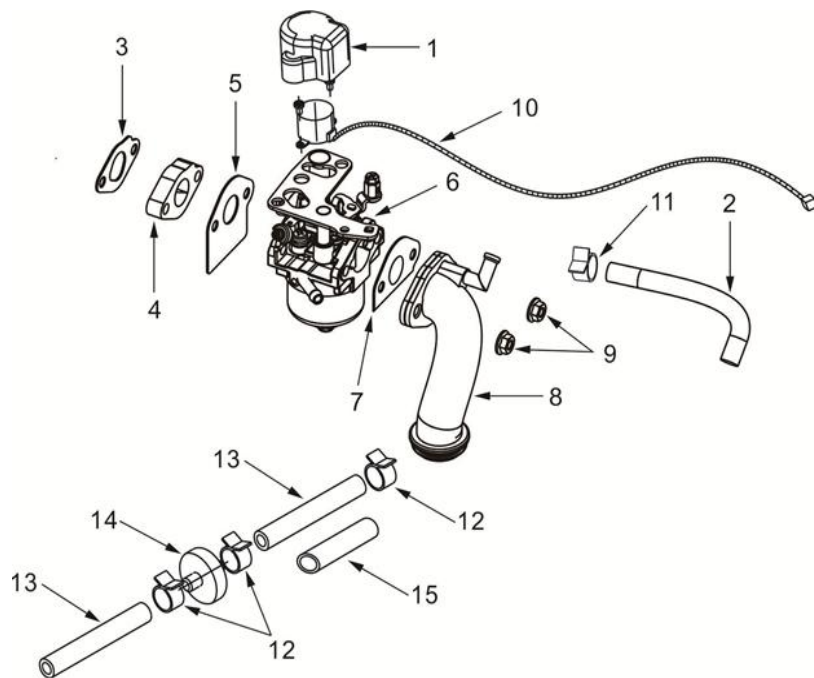
电机组件 (Electrical components)

| 序号 No. | 零部件图号 Part No. | 零部件名称 | Description | 数量 Quantity |
|-----------|---------------------|--------------|---------------------|----------------|
| 1 | 4000.469.003V.00.02 | 电机定子2KW/120V | Motor stator | 1 |
| 2 | 5787.06035.00.01 | 带盘螺栓M6×35 | Bolt | 2 |
| 3 | 4000.469.001V.00.01 | 电机转子 | Motor rotor | 1 |
| 4 | 6177.12000.05.01 | 带盘螺母M12×1.25 | Rotor comp | 1 |
| 5 | 2030.T48.0020.63.00 | 叶轮 | Fan blade | 1 |
| 6 | 2020.T48.001V.00.00 | 启动套 | Starting sleeve | 1 |
| 7 | 0070.06010.00.04 | 内六角螺栓6×10 | Hexagon socket bolt | 2 |



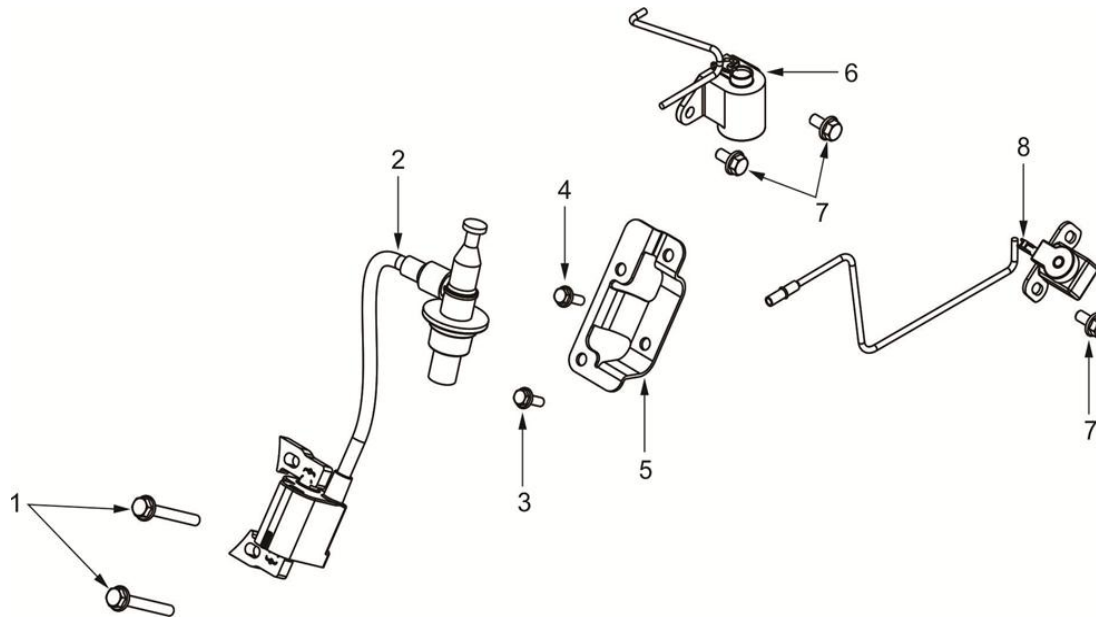
凸轮轴部件 (Camshaft parts)

| 序号 No. | 零部件图号 Part No. | 零部件名称 | Description | 数量 Quantity |
|-----------|---------------------|-------|--------------------|----------------|
| 1 | 1040.148.002V.00.00 | 凸轮轴部件 | Camshaft assy | 1 |
| 2 | 0085.148.001V.00.00 | 挡油罩 | Oil baffle | 1 |
| 3 | 0160.T48.0010.00.00 | 推杆 | Rods | 2 |
| 4 | 0020.148.001V.00.00 | 进气门 | Intake valve | 1 |
| 5 | 0030.148.001V.00.00 | 排气门 | Exhaust valve | 1 |
| 6 | 0040.148.001V.00.00 | 气门弹簧 | Valve spring | 2 |
| 7 | 0060.148.001V.00.00 | 气门弹簧座 | Valve-spring seat | 2 |
| 8 | 0100.148.001V.00.00 | 摇臂组件 | Valve rocker | 2 |
| 9 | 0101.148.001V.00.00 | 摇臂轴销 | Valve rocker shaft | 1 |
| 10 | 1030.T48.001V.00.00 | 挺柱 | Tappet | 2 |



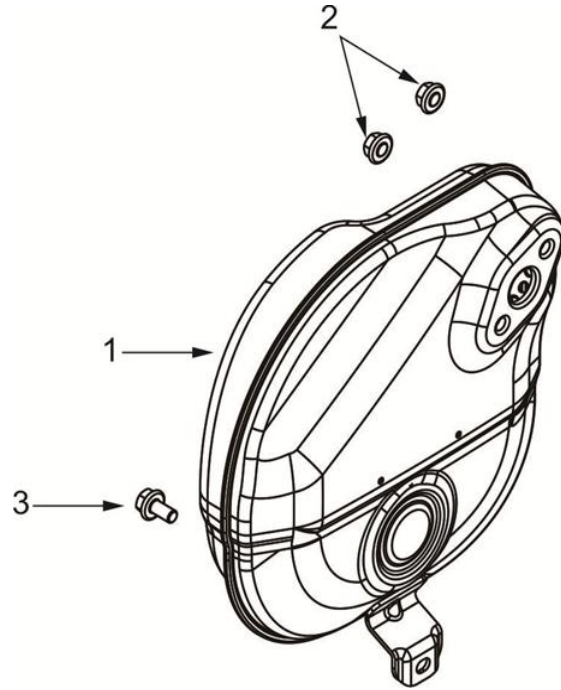
化油器部件 Carburetor parts

| 序号 No. | 零部件图号 Part No. | 零部件名称 | Description | 数量 Quantity |
|-----------|----------------------|-------------|----------------------------|----------------|
| 1 | 2260.T48.C01V.00.00 | 步进电机盖 | Stepper motor cover | 1 |
| 2 | 2370.148.001V.00.00 | 废气管 | Exhaust pipe | 1 |
| 3 | 3060.148.001V.00.00 | 进气口垫片 | Air inlet gasket | 1 |
| 4 | 2300.148.001V.00.00 | 化油器隔热板 | Carburetor heat shield | 1 |
| 5 | 3080.148.001V.00.00 | 化油器隔热垫 | Carburetor insulation pad | 1 |
| 6 | 2260.T48.C01V.00.00 | 化油器 | Carburetor | 1 |
| 7 | 3090.148.001V.00.00 | 化油器密封垫 | Carburetor gasket | 1 |
| 8 | 2280.148.001V.00.02 | 进气软管 | Intake hose | 1 |
| 9 | 6177.06000.00.01 | 带盘防松螺母 | Locking nut with disc | 2 |
| 10 | 4000.435.006V.00.00 | 步进电机500mm | Stepper motor | 1 |
| 11 | 2360.458.002V.00.00 | 带形油管夹Φ8.5 | Ribbon tubing clamp | 1 |
| 12 | 2360.458.004V.00.00 | 带形油管夹Φ10 | Ribbon tubing clamp | 3 |
| 13 | 2330.464.C010.00.021 | 油管 | Tubing | 1 |
| 14 | 2325.469.0010.00.00 | 燃油过滤器 | Fuel filter | 1 |
| 15 | 2332.467.006V.00.00 | 硅胶保护套Φ10×50 | Silicone protective sleeve | 1 |



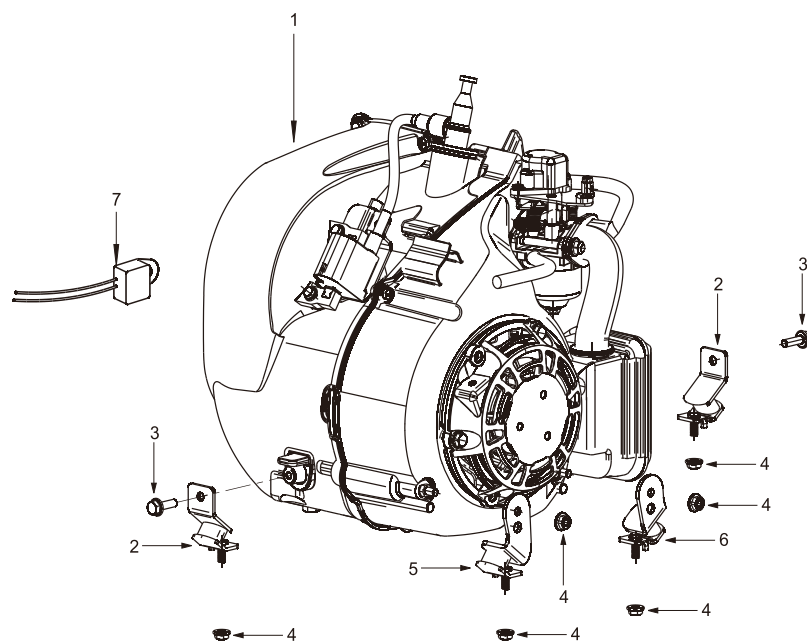
点火器组件 Igniter assembly

| 序号 No. | 零部件图号 Part No. | 零部件名称 | Description | 数量 Quantity |
|-----------|---------------------|-----------|--------------------------|----------------|
| 1 | 5789.06018.00.01 | 带盘螺栓M6×18 | Bolt | 2 |
| 2 | 1522.T48.002V.00.00 | 点火线圈 | Ignition coil | 1 |
| 3 | 5789.06012.00.01 | 带盘螺栓M6×12 | Bolt | 1 |
| 4 | 5789.06035.00.01 | 带盘螺栓M6×35 | Bolt | 1 |
| 5 | 5695.T48.001V.00.00 | 点火器安装支架 | Igniter mounting bracket | 1 |
| 6 | 1020.164.0011.00.00 | 机油报警器 | Oil alarm | 1 |
| 7 | 5787.06012.00.01 | 带盘螺栓M6×12 | Bolt | 3 |
| 8 | 2050.T48.002V.00.00 | 触发线圈组件 | Trigger coil assembly | 1 |



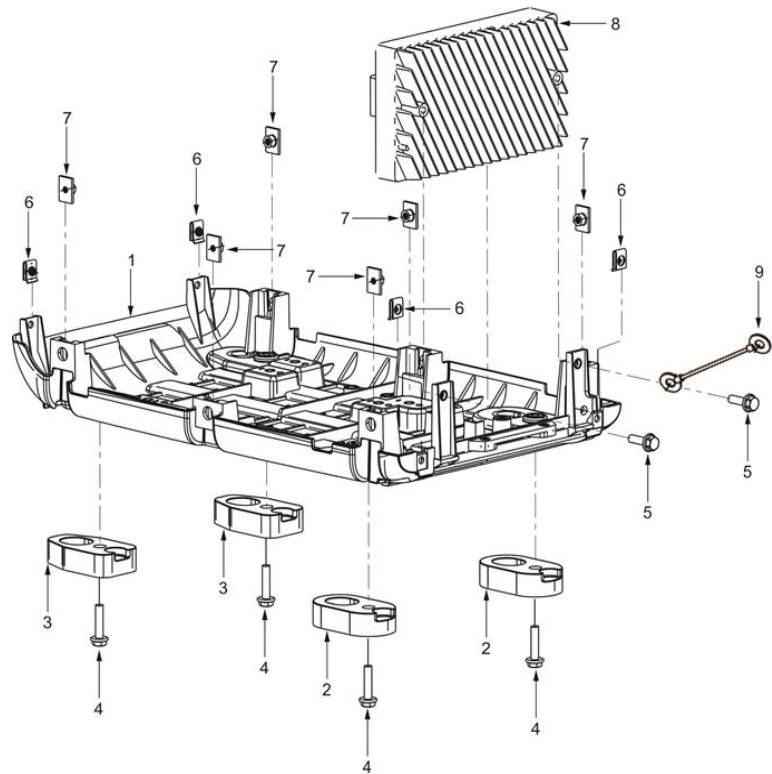
消声器 Muffler parts

| 序号 No. | 零部件图号 Part No. | 零部件名称 | Description | 数量 Quantity |
|-----------|---------------------|-----------|-----------------------|----------------|
| 1 | 2400.T48.001V.00.00 | 消声器 | Muffler | 1 |
| 2 | 6177.06000.00.01 | 带盘防松螺母 | Locking nut with disc | 2 |
| 3 | 5789.06012.00.01 | 带盘螺栓M6×12 | Bolt | 1 |



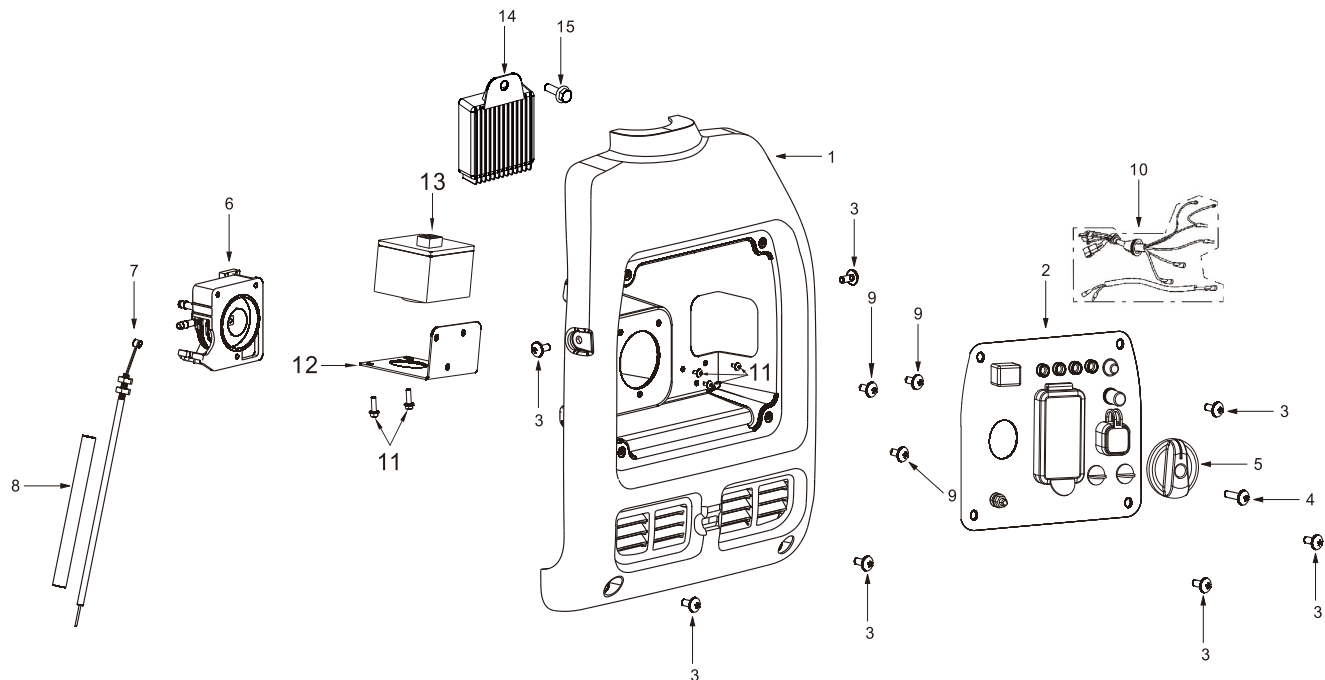
发动机 (Engine)

| 序号 No. | 零部件图号 Part No. | 零部件名称 | Description | 数量 Quantity |
|-----------|---------------------|------------|---------------------|----------------|
| 1 | BP00.073.001.10 | DK148F/P-2 | Engine | 1 |
| 2 | 3360.473.0020.00.00 | 减震垫 | Shock pad | 2 |
| 3 | 5789.06012.00.01 | 带盘螺栓M6×12 | Bolt | 2 |
| 4 | 6177.06000.00.01 | 带盘防松螺母 | Nut | 6 |
| 5 | 3350.T48.001V.00.00 | 减震座 | Shock mount | 1 |
| 6 | 3350.T48.002V.00.00 | 减震座-2 | Shock mount | 1 |
| 7 | 3524.460.0050.00.00 | 防篡改器 | Tamper-proof device | 1 |



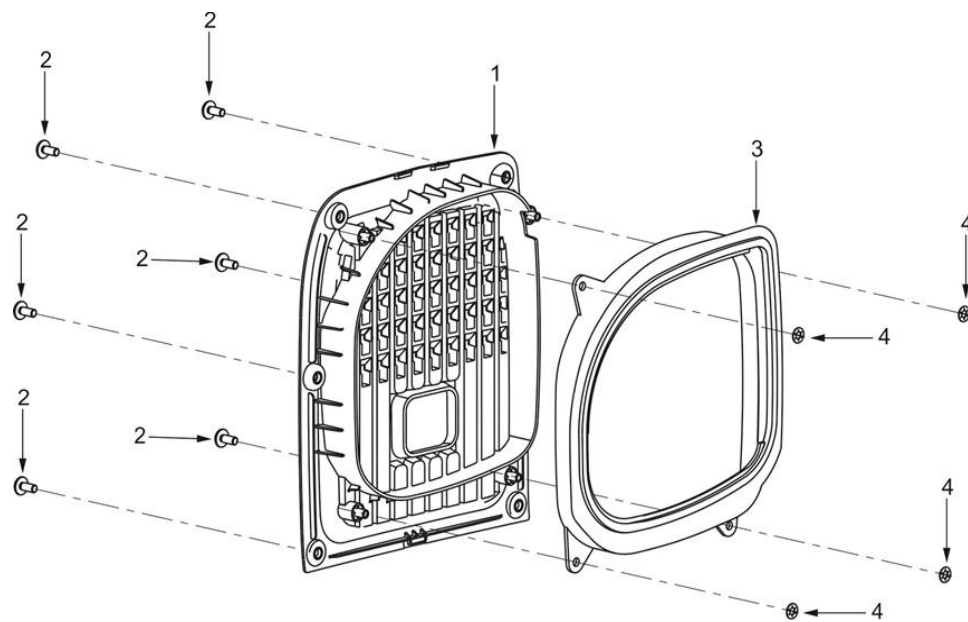
底板/逆变器 (Backplane / Inverter)

| 序号 No. | 零部件图号 Part No. | 零部件名称 | Description | 数量 Quantity |
|-----------|---------------------|-----------|------------------------|----------------|
| 1 | 3340.469.0020.00.00 | 底板部件 | Base plate | 1 |
| 2 | 3350.469.002V.00.00 | 机组减震座 (后) | Shock absorber of unit | 2 |
| 3 | 3350.469.001V.00.00 | 机组减震座 (前) | Shock absorber of unit | 2 |
| 4 | 5789.06018.00.01 | 带盘螺栓M6×18 | Bolt | 4 |
| 5 | 5789.06012.00.01 | 带盘螺栓M6×12 | Bolt | 2 |
| 6 | 6178.05000.00.04 | 夹片螺母 (M5) | Nut | 4 |
| 7 | 3145.469.001V.00.00 | T形螺母M6×20 | Nut | 6 |
| 8 | 2470.469.001V.00.00 | 逆变器 | Inverter | 1 |
| 9 | 3410.467.003V.00.00 | 接地线 | Ground wire | 1 |



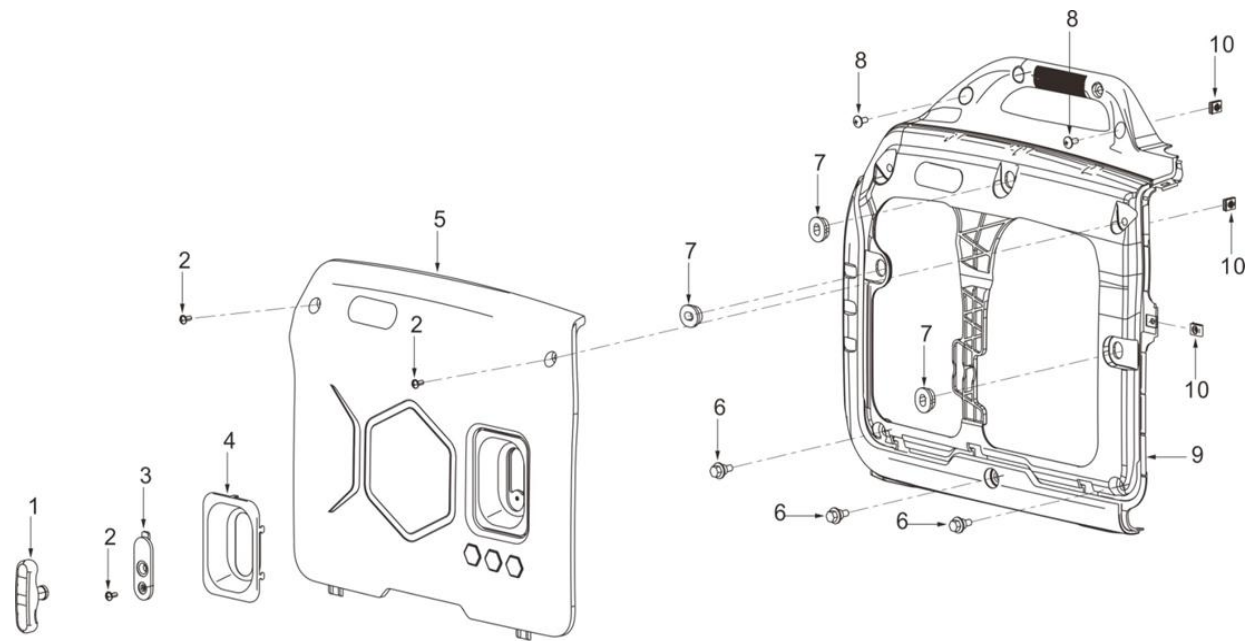
面板 (Panel)

| 序号 | 零部件图号 | 零部件名称 | Description | 数量 |
|-----|---------------------|----------------|--------------------------------------|----------|
| No. | Part No. | | | Quantity |
| 1 | 6655.469.0021.00.00 | 面板座 | panel bed | 1 |
| 2 | 3370.469.0800.00.99 | 面板 | panel | 1 |
| 3 | 0818.05016.00.07 | 十字大盘头螺钉 (5×16) | Cross recessed pan head screw | 8 |
| 4 | 0818.04014.00.01 | 螺钉M4×14 | Screw | 1 |
| 5 | 2141.467.001V.P4.00 | 三合一开关手柄 | Three in one switch handle | 1 |
| 6 | 2140.467.011V.00.00 | 三合一开关 | Three in one switch | 1 |
| 7 | 2140.467.011V.00.03 | 拉索组合 | Cable assembly | 1 |
| 8 | 2332.467.002V.00.00 | 硅胶保护套Φ6×320 | Sheath | 1 |
| 9 | 0819.04212.00.01 | 十字沉头自攻螺钉4.2×12 | Cross countersunk head tapping screw | 3 |
| 10 | 6950.469.001V.00.01 | 控制线束 | Control harness | 1 |
| 11 | 6111.469.0020.00.00 | 螺栓 M3*10 | 螺栓 M3*10 | 5 |
| 12 | 5529.000.0010.00.00 | CO报警器支架 | CO alarm bracket | 1 |
| 13 | 5528.460.0011.00.00 | CO报警器 | CO alarm | 1 |
| 14 | 6854.474.002V.00.00 | 调压整流器 | Voltage regulating rectifier | 1 |
| 15 | 5787.05016.00.01 | 带盘螺栓M5×16 | Bolt | 1 |



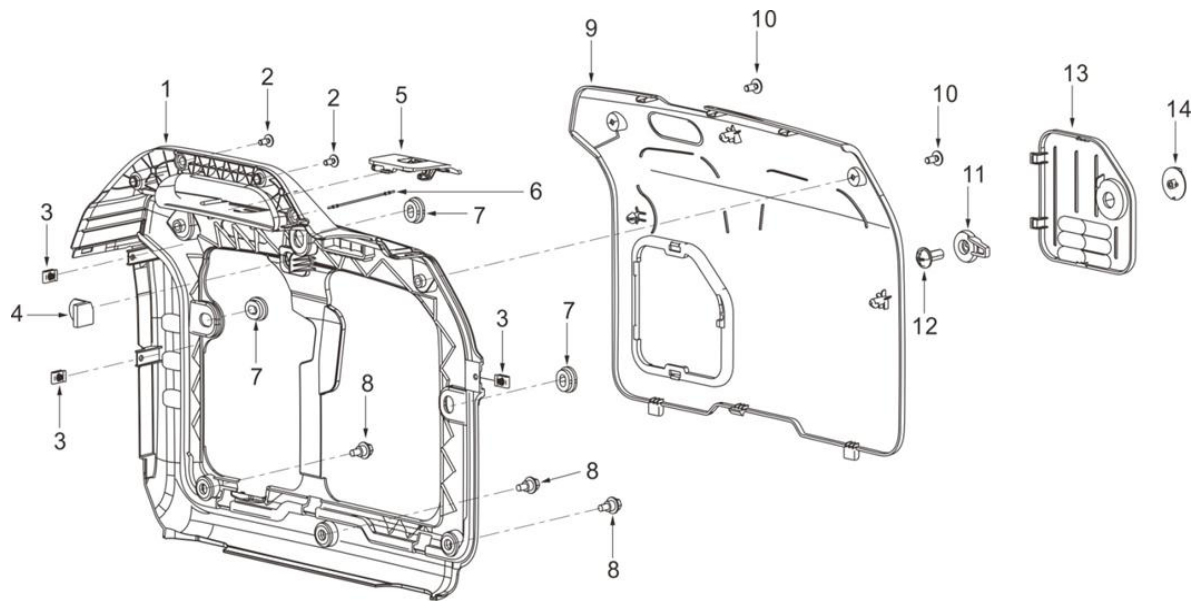
消声器护罩 (Muffler shield)

| 序号 No. | 零部件图号 Part No. | 零部件名称 | Description | 数量 Quantity |
|-----------|---------------------|----------------|------------------------|----------------|
| 1 | 2420.469.002V.04.00 | 消声器护罩 | Muffler shield | 1 |
| 2 | 0818.05016.00.07 | 十字大盘头螺钉 (5×16) | Screw | 6 |
| 3 | 7824.469.001V.00.00 | 消声器密封胶套 | Muffler sealant sleeve | 1 |
| 4 | 5598.467.001V.00.00 | 梅花孔挡圈 | Plum ring | 4 |



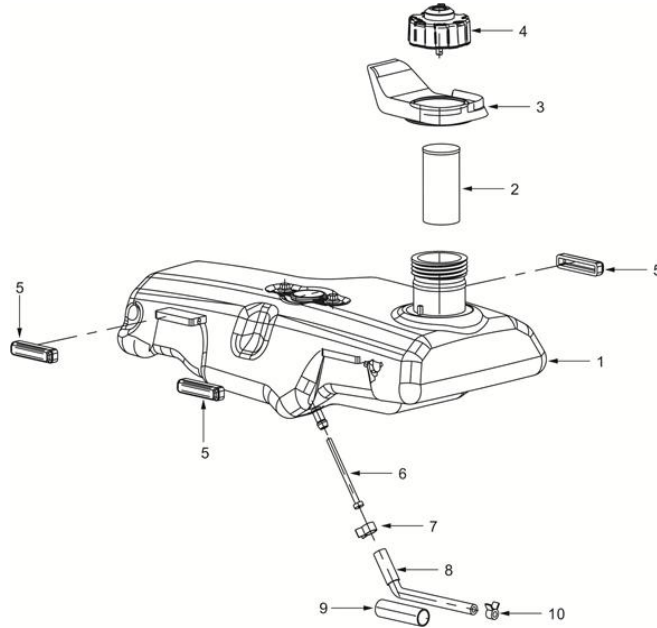
左外观盖板 (Left exterior cover)

| 序号 No. | 零部件图号 Part No. | 零部件名称 | Description | 数量 Quantity |
|-----------|---------------------|-------------|-------------------|----------------|
| 1 | 2000.T70.001V.04.03 | 启动手柄 | Starting handle | 1 |
| 2 | 0818.05010.00.07 | 十字盘头螺钉5×10 | Screw | 3 |
| 3 | 2186.T48.001V.00.00 | 拉手盖板 | Cover plate | 1 |
| 4 | 7866.469.0011.00.00 | 拉手装饰板 | Handle trim panel | 1 |
| 5 | 5596.469.003V.P4.00 | 左外观盖板 | ornament shell | 1 |
| 6 | 4789.467.001V.00.00 | 台阶螺栓M6×16.5 | step bolts | 3 |
| 7 | 5522.467.002V.00.00 | 油箱支撑胶套B | sheath | 3 |
| 8 | 0818.05016.00.07 | 十字大盘头螺钉5×16 | Screw | 2 |
| 9 | 2220.469.002V.04.00 | 左外壳部件 | Left shell | 1 |
| 10 | 6178.05000.00.04 | 夹片螺母(M5) | Nut | 3 |



右外观盖板 (Right exterior cover)

| 序号 No. | 零部件图号 Part No. | 零部件名称 | Description | 数量 Quantity |
|-----------|---------------------|---------------|-------------------------------|----------------|
| 1 | 2222.469.002V.04.00 | 右外壳部件 | Right shell | 1 |
| 2 | 0818.05016.00.07 | 十字大盘头螺钉5×16 | Cross recessed pan head screw | 2 |
| 3 | 6178.05000.00.04 | 夹片螺母 (M5) | Nut | 3 |
| 4 | 6234.467.002V.00.00 | 发动机缓冲胶垫B | sheath | 1 |
| 5 | 4259.469.001V.P4.00 | 火花塞盖板 | Spark-plug outer cover | 1 |
| 6 | 4562.469.001V.00.00 | 防丢橡胶条NR | Anti loss rubber strip | 1 |
| 7 | 5522.467.002V.00.00 | 油箱支撑胶套B | sheath | 3 |
| 8 | 4789.467.001V.00.00 | 台阶螺栓M6×16.5 | step bolts | 3 |
| 9 | 5596.469.004V.P4.00 | 右外观盖板 | Right exterior cover | 1 |
| 10 | 0808.05010.00.07 | 十字盘头螺钉 (5×10) | Screw | 2 |
| 11 | 6345.469.001V.04.00 | 旋钮限位卡 | Knob limit card | 1 |
| 12 | 0845.04012.00.01 | 自攻螺钉 (4×12) | Screw | 1 |
| 13 | 7540.469.002V.P4.00 | 机油维护盖 | Oil maintenance cover | 1 |
| 14 | 1560.469.001V.04.00 | 旋钮 | Knob | 1 |



燃油箱部件 (Fuel tank components)

| 序号 No. | 零部件图号 Part No. | 零部件名称 | Description | 数量 Quantity |
|-----------|----------------------|-------------|-------------|----------------|
| 1 | 3200.469.C01V.00.00 | 油箱部件 | Tank, Fuel | 1 |
| 2 | 3200.467.001V.00.02 | 燃油滤网 | Fuel filter | 1 |
| 3 | 3200.469.001V.00.03 | 注油口胶套 | Sheath | 1 |
| 4 | 3200.467.C05V.00.01 | 油箱盖PA6 | Tank cap | 1 |
| 5 | 7868.469.001V.00.00 | 油箱支撑胶套NR | Sheath | 3 |
| 6 | 3208.P70.001V.00.00 | 过滤嘴 | Filt tip | 1 |
| 7 | 2360.458.R007V.00.00 | 带形油管夹Φ11 | Ferrule | 1 |
| 8 | 2330.469.C010.00.21 | 油管 | Oil tube | 1 |
| 9 | 2332.467.006V.00.00 | 硅胶保护套Φ10×50 | Sheath | 1 |
| 10 | 2360.458.R003V.00.00 | 带形油管夹Φ8 | Ferrule | 1 |