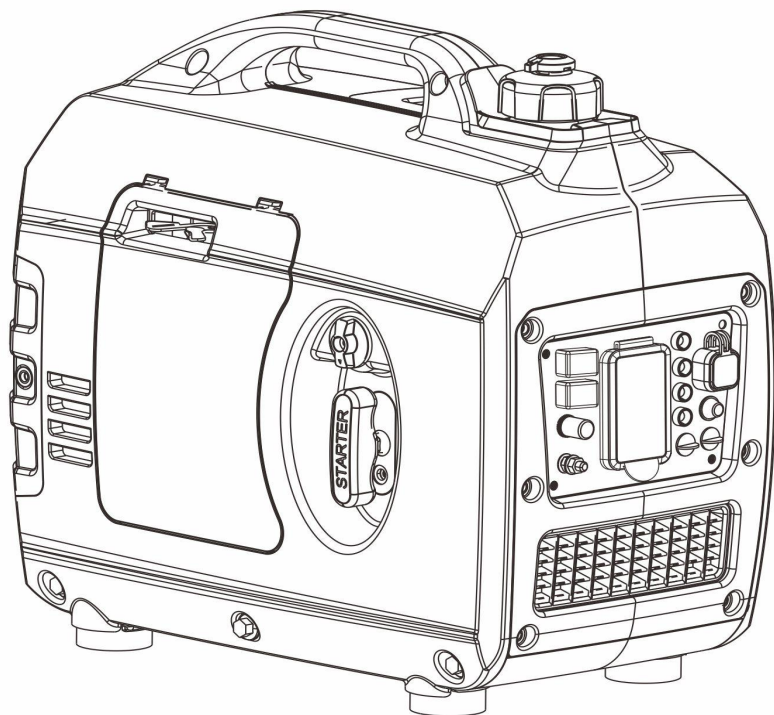


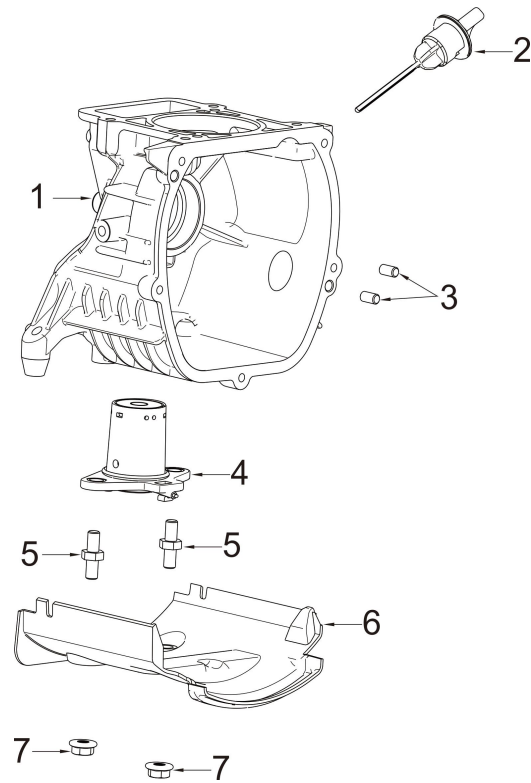
零部件图册

PARTS CATALOG



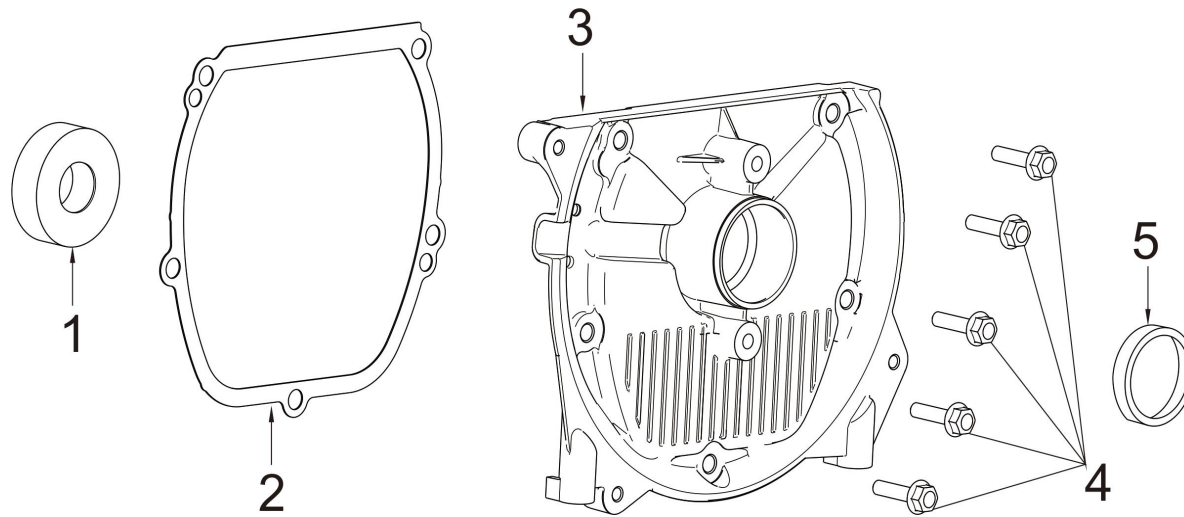
GM1200i

Inverter Generator



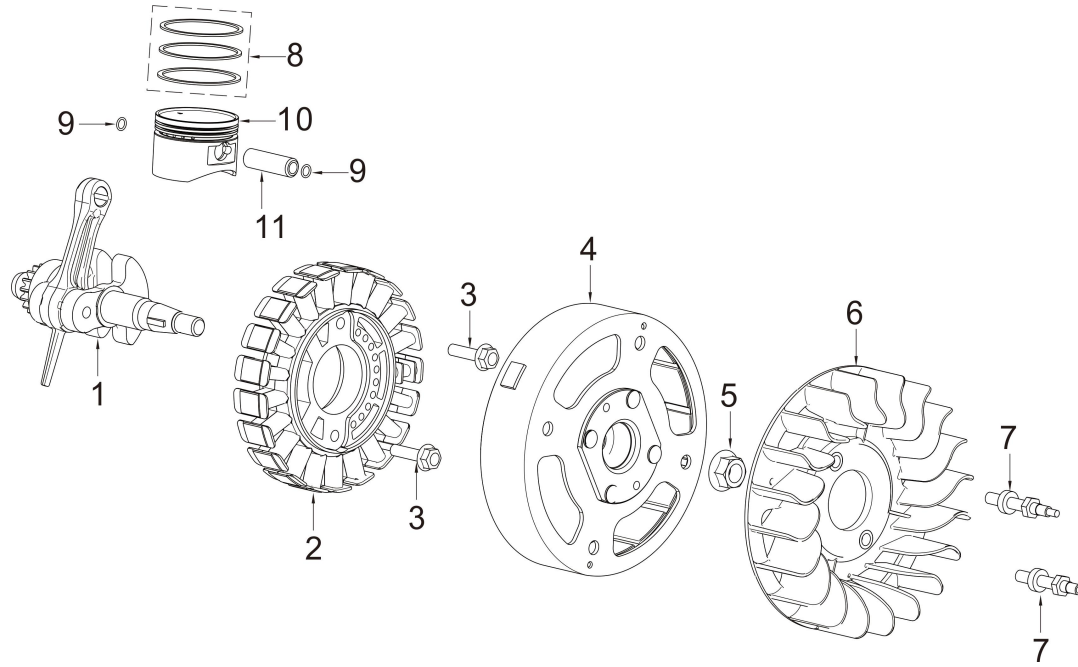
曲轴箱 (Crankcase)

| 序号 No. | 零部件图号 Part No. | 零部件名称 | Description | 数量 Quantity |
|-----------|---------------------|------------|-------------------|----------------|
| 1 | 1000.B02.0010.00.00 | 曲轴箱体 | Crankcase body | 1 |
| 2 | 1230.164.001V.00.00 | 机油尺组件 | Oil gauge ass. | 1 |
| 3 | 3170.145.004V.00.00 | 定位销5*10 | Set pin | 2 |
| 4 | 1020.145.0011.00.00 | 机油传感器 | Oil protector | 1 |
| 5 | 7071.145.0010.00.00 | 双头支撑螺栓6*12 | Stud support bolt | 2 |
| 6 | 2230.446.0021.00.00 | 下导风罩 | Wind guide | 1 |
| 7 | 6177.06000.00.01 | 螺母 | Nut | 2 |



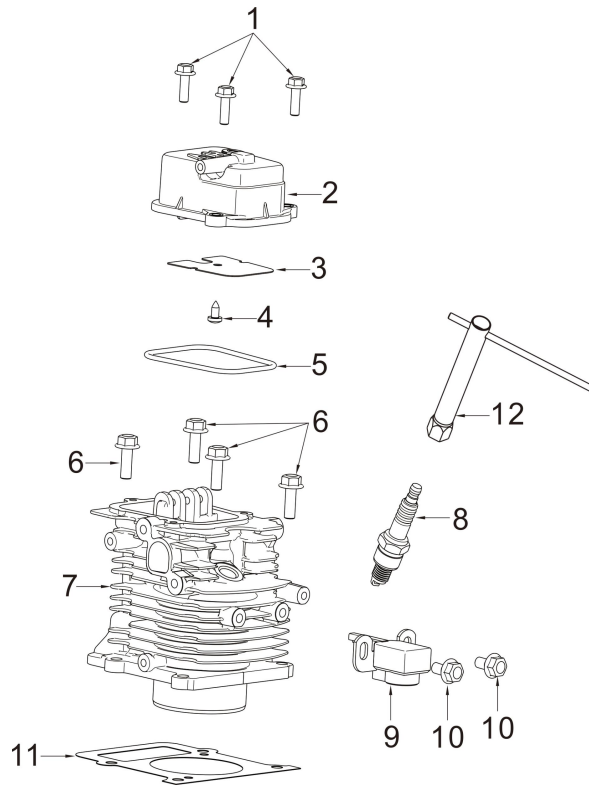
曲轴箱盖 (Crankcase cover)

| 序号 No. | 零部件图号 Part No. | 零部件名称 | Description | 数量 Quantity |
|-----------|----------------------|-------------|------------------|----------------|
| 1 | 0270.152.R001V.00.00 | 轴承6203 | Ball bearing | 1 |
| 2 | 3040.145.004V.00.00 | 曲轴箱垫片 | Gasket,Crankcase | 1 |
| 3 | 1010.145.001V.00.00 | 曲轴箱盖 | Crankcase cover | 1 |
| 4 | 5787.05020.00.01 | 螺栓M5*20 | Bolt | 5 |
| 5 | 3150.145.0020.00.00 | 油封17*28*5.5 | Oil seal | 1 |



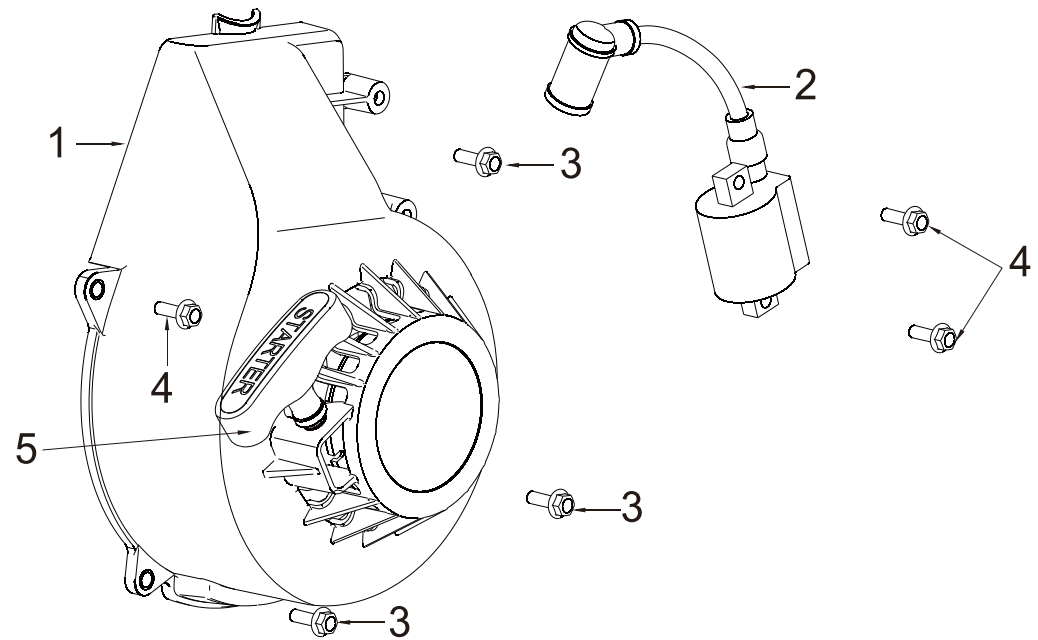
曲轴 (Crankshaft)

| 序号 No. | 零部件图号 Part No. | 零部件名称 | Description | 数量 Quantity |
|-----------|---------------------|------------|------------------------|----------------|
| 1 | 0180.145.002V.00.00 | 曲轴组件 | Crankshaft ass. | 1 |
| 2 | 4000.446.0011.00.02 | 电机定子 | Motor stator | 1 |
| 3 | 5787.05025.00.01 | 螺栓M5*25 | Bolt | 2 |
| 4 | 4000.446.0011.00.01 | 电机转子 | Motor rotor | 1 |
| 5 | 6177.10000.05.01 | 螺母M10*1.25 | Nut | 1 |
| 6 | 2030.145.001V.63.00 | 飞轮风扇 | Flywheel fan | 1 |
| 7 | 1983.145.0020.00.00 | 叶轮安装双头螺栓 | Impeller mounting stud | 2 |
| 8 | 0210.145.001V.00.00 | 活塞环组件 | Piston ring ass. | 1 |
| 9 | 0230.145.002V.00.00 | 活塞销卡圈 | Clip, Piston pin | 2 |
| 10 | 0200.145.001V.00.00 | 活塞 | Piston | 1 |
| 11 | 0220.145.001V.00.00 | 活塞销 | Piston pin | 1 |



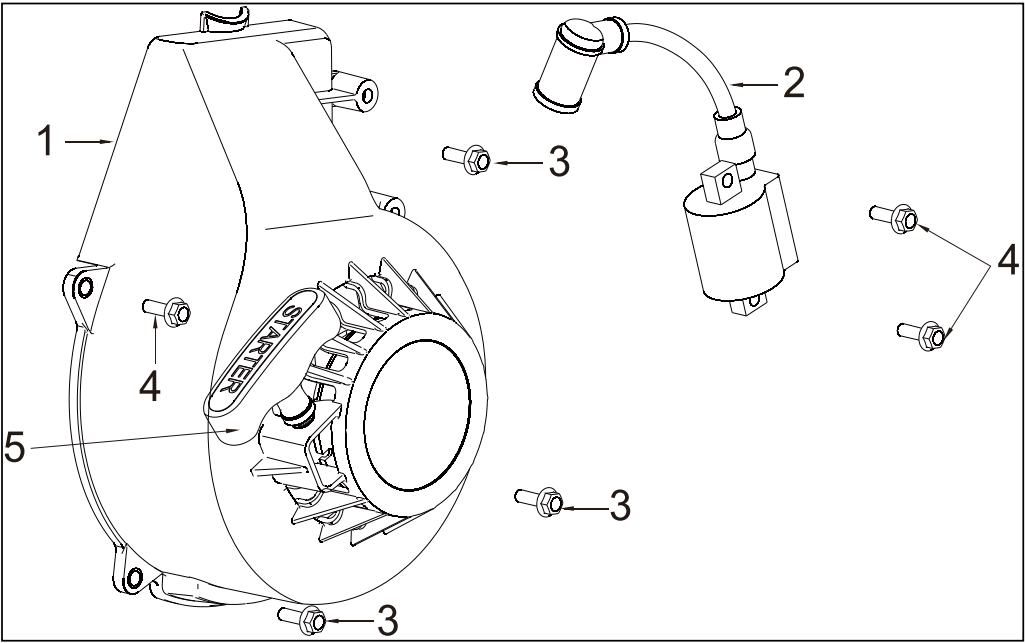
缸头组件 (Cylinder head parts)

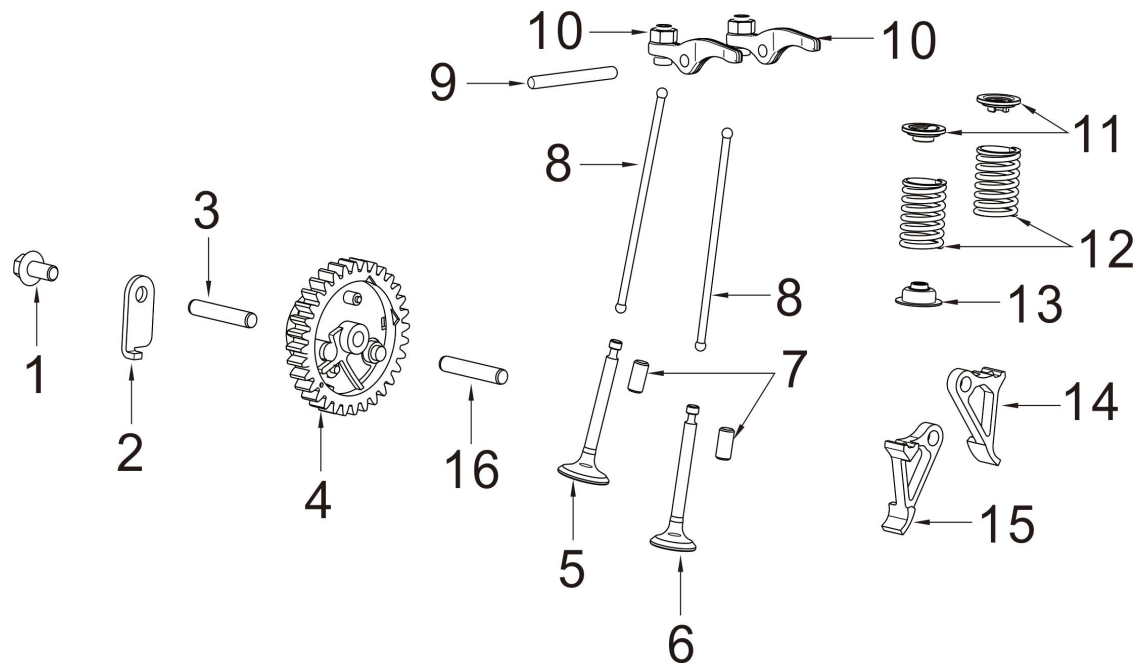
| 序号 No. | 零部件图号 Part No. | 零部件名称 | Description | 数量 Quantity |
|-----------|----------------------|-----------|---------------------------|----------------|
| 1 | 5787.05014.00.01 | 螺栓M5*14 | Bolt | 3 |
| 2 | 0001.145.0030.00.00 | 缸头盖 | Cylinder head cover | 1 |
| 3 | 5227.145.0010.00.00 | 缸头盖内盖板 | Cylinder head cover plate | 1 |
| 4 | 0845.40012.00.07 | 自攻螺钉M4*12 | Self tapping screw | 1 |
| 5 | 3000.145.0020.00.00 | 缸头盖垫 | Cylinder epicranium mat | 1 |
| 6 | 5787.06018.00.01 | 螺栓M6*18 | Bolt | 4 |
| 7 | 0010.145.0011.00.00 | 气缸头 | Cylinder head | 1 |
| 8 | 2160.148.R001V.00.00 | 火花塞 | Spark plug | 1 |
| 9 | 2050.T48.002V.00.00 | 触发线圈组件 | Trigger coil assembly | 1 |
| 10 | 5787.06012.00.01 | 螺栓 M6*12 | Bolt | 2 |
| 11 | 3020.145.0020.00.00 | 缸头垫 | Gasket, Cylinder head | 1 |
| 12 | 2180.446.R0010.00.00 | 火花塞套筒 | Spark plug sleeve | 1 |



单机起动器 (Engine Starter)

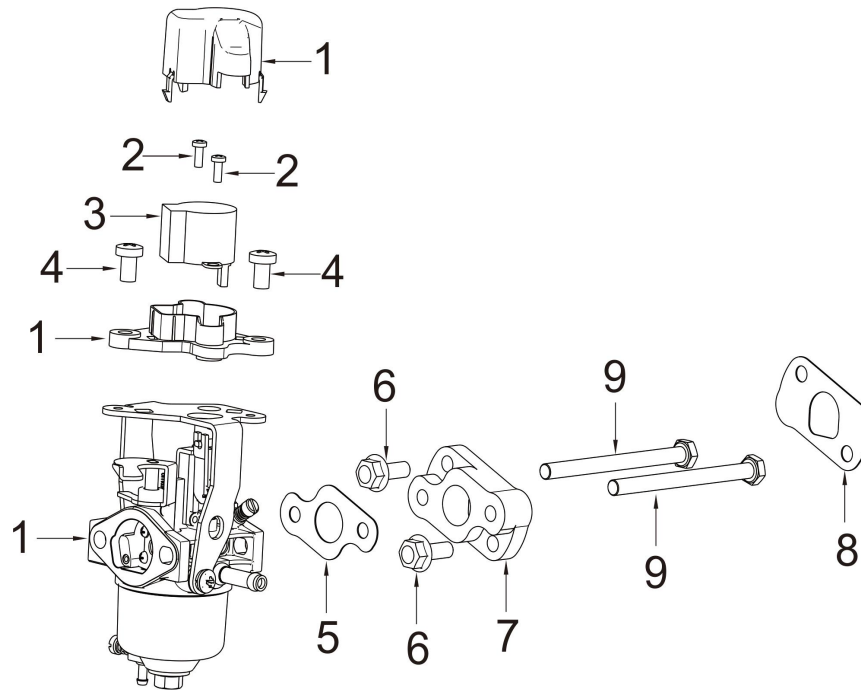
| 序号 No. | 零部件图号 Part No. | 零部件名称 | Description | 数量 Quantity |
|-----------|---------------------|---------|------------------------|----------------|
| 1 | 2000.145.0050.04.00 | 单机起动器组件 | Engine starter ass. | 1 |
| 2 | 1522.145.0010.00.00 | 点火线圈 | Ignition coil | 1 |
| 3 | 5787.05014.00.01 | 螺栓M5*14 | Bolt | 3 |
| 4 | 5787.05020.00.01 | 螺栓M5*20 | Bolt | 3 |
| 5 | 2004.145.0040.04.00 | 起动拉绳手柄 | Start pull rope handle | 1 |





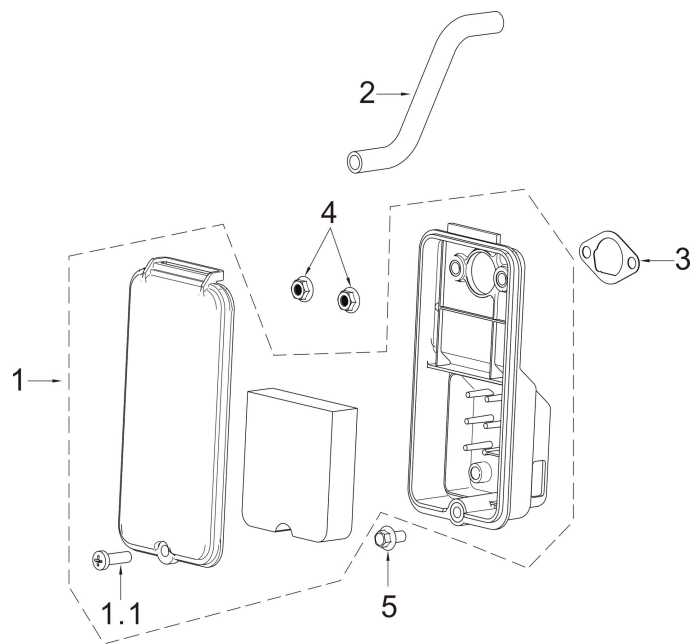
凸轮轴部件 (Camshaft parts)

| 序号 No. | 零部件图号 Part No. | 零部件名称 | Description | 数量 Quantity |
|-----------|---------------------|---------|------------------------------|----------------|
| 1 | 5787.05010.00.01 | 螺栓M5*10 | Bolt | 1 |
| 2 | 1558.145.0010.00.00 | 下摇臂限位压板 | Lower rocker arm limit plate | 1 |
| 3 | 1555.145.001V.00.00 | 下摇臂销 | Lower rocker pin | 1 |
| 4 | 1040.145.002V.00.00 | 凸轮轴组件 | Camshaft ass. | 1 |
| 5 | 0020.145.002V.00.00 | 进气门 | Intake valve | 1 |
| 6 | 0030.145.002V.00.00 | 排气门 | Exhaust valve | 1 |
| 7 | 3170.145.004V.00.00 | 定位销5*10 | Set pin | 2 |
| 8 | 0160.145.002V.00.00 | 推杆 | Pusher | 2 |
| 9 | 0101.145.001V.00.00 | 摇臂销 | Rocker pin | 1 |
| 10 | 0100.145.003V.00.00 | 摇臂 | Rocker ass. | 2 |
| 11 | 0060.148.001V.00.00 | 气门弹簧座 | Valve spring seat | 2 |
| 12 | 0040.145.0020.00.00 | 气门弹簧 | Valve spring | 2 |
| 13 | 0085.145.003V.00.00 | 挡油罩 | Oil seal, Intake valve | 1 |
| 14 | 1554.145.001V.00.00 | 下摇臂 (排) | Lower rocker arm | 1 |
| 15 | 1553.145.001V.00.00 | 下摇臂 (进) | Lower rocker arm | 1 |
| 16 | 7571.145.0010.00.00 | 凸轮轴销 | Camshaft pin | 1 |



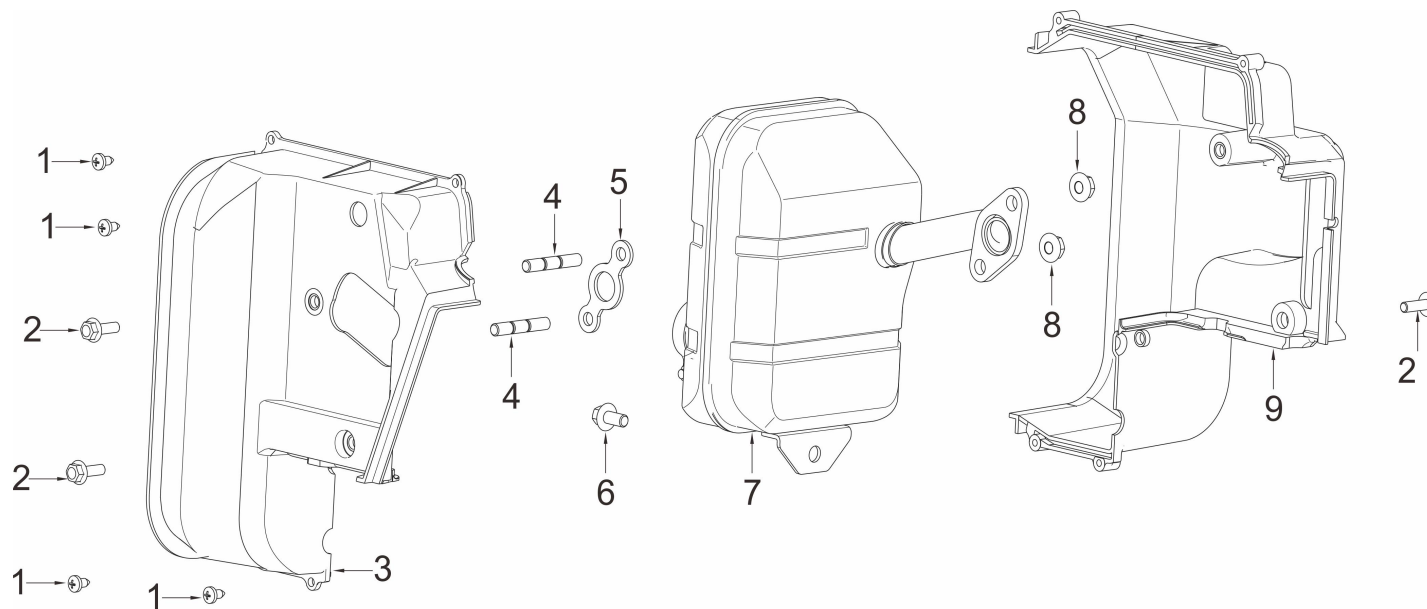
化油器部件 Carburetor parts

| 序号 No. | 零部件图号 Part No. | 零部件名称 | Description | 数量 Quantity |
|-----------|---------------------|------------|----------------------|----------------|
| 1 | 2260.145.003V.00.00 | 化油器组件 | Carburetor ass. | 1 |
| 2 | 0818.03008.00.01 | 十字盘头螺钉3*8 | Cross pan head screw | 2 |
| 3 | 4000.474.0040.00.00 | 步进电机 | Stepper motor | 1 |
| 4 | 0818.04010.00.01 | 十字圆头螺钉4*10 | Cross pan head screw | 2 |
| 5 | 3080.145.0010.00.00 | 化油器垫片 | Gasket, carburetor | 1 |
| 6 | 5787.06018.00.01 | 螺栓M6*18 | Bolt | 2 |
| 7 | 2300.145.0020.00.00 | 化油器接块 | Carburetor block | 1 |
| 8 | 3060.145.004V.00.00 | 进气口垫片 | Gasket, inlet port | 1 |
| 9 | 5783.06075.00.04 | 六角螺栓6*75 | Hexagon bolt | 2 |



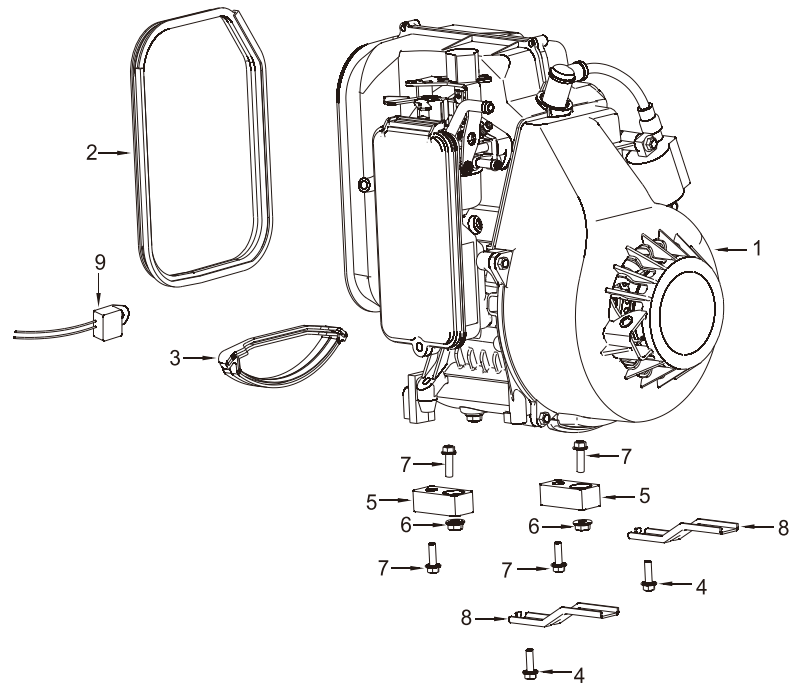
空滤器 Air cleaner

| 序号 No. | 零部件图号 Part No. | 零部件名称 | Description | 数量 Quantity |
|-----------|---------------------|---------|----------------------|----------------|
| 1 | 2280.145.0021.00.00 | 空滤器组件 | Air cleaner ass. | 1 |
| 1.1 | 5787.06012.00.01 | 螺栓M6*12 | Bolt | 1 |
| 2 | 2370.165.001V.00.00 | 废气管 | Exhaust pipe | 1 |
| 3 | 3090.154.004V.00.00 | 空滤器纸垫 | Air filter paper pad | 1 |
| 4 | 6177.06000.00.01 | 螺母M6 | Nut | 2 |
| 5 | 5787.06012.00.01 | 螺栓M6*12 | Bolt | 1 |



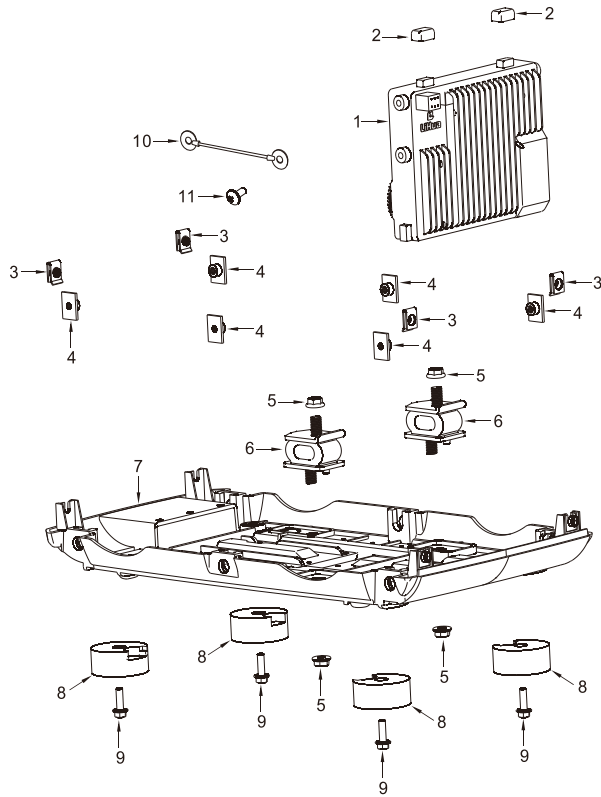
消声器 Muffler parts

| 序号 No. | 零部件图号 Part No. | 零部件名称 | Description | 数量 Quantity |
|-----------|---------------------|-----------|------------------------|----------------|
| 1 | 0845.40012.00.07 | 自攻螺钉M4*12 | Self tapping screw | 4 |
| 2 | 5787.05014.00.01 | 螺栓M5*14 | Bolt | 3 |
| 3 | 6344.446.0010.04.00 | 消声器左外罩 | Muffler left cover | 1 |
| 4 | 0900.06025.00.01 | 双头螺栓6*25 | Stud bolt | 2 |
| 5 | 3100.145.004V.00.00 | 排气口垫 | Muffler gasket | 1 |
| 6 | 5787.06012.00.01 | 螺栓M6*12 | Bolt | 1 |
| 7 | 2400.446.0010.00.00 | 消声器组件 | Muffler ass. | 1 |
| 8 | 6177.06000.00.01 | 螺母 | Nut | 2 |
| 9 | 6343.446.0012.04.00 | 消声器右外罩 | Right cover of muffler | 1 |



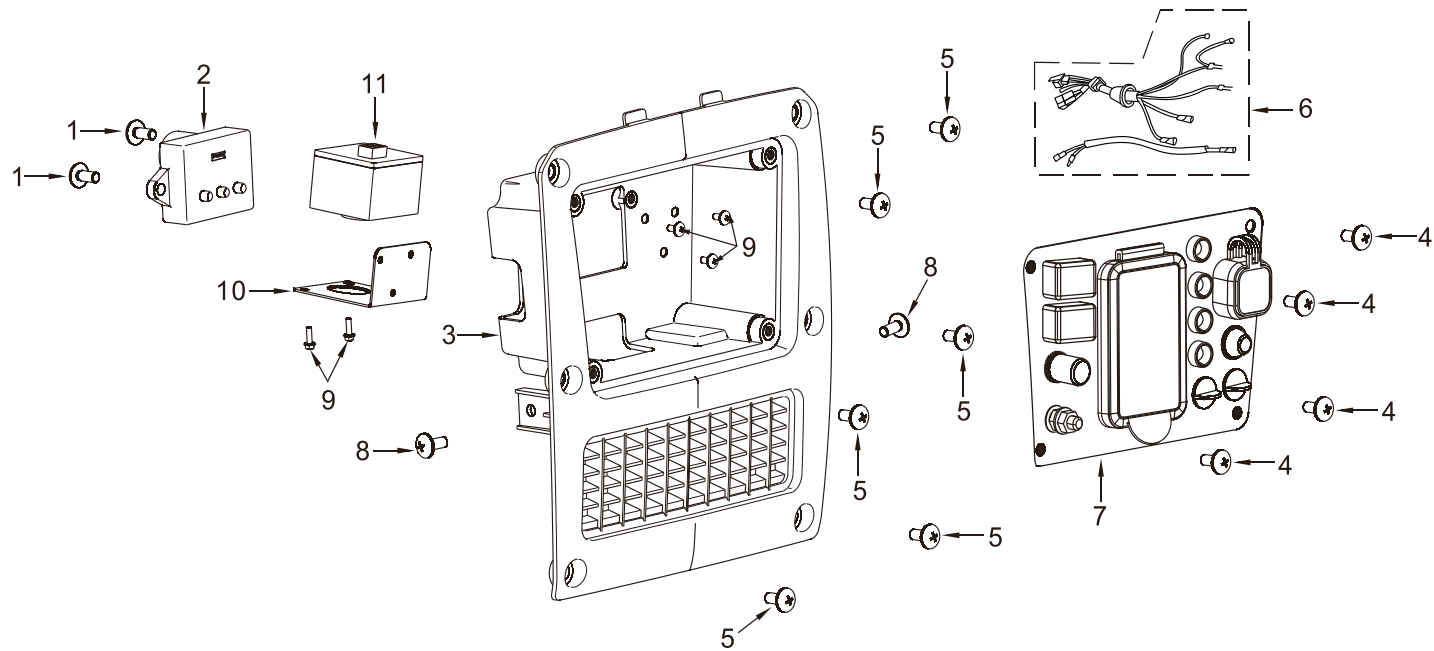
发动机 (Engine)

| 序号 No. | 零部件图号 Part No. | 零部件名称 | Description | 数量 Quantity |
|-----------|---------------------|-----------|--|----------------|
| 1 | BP00.045.010.06 | 145F | Power | 1 |
| 2 | 7824.446.0010.04.00 | 消声器密封胶套 | Muffler sealant sleeve | 1 |
| 3 | 3626.446.0010.04.00 | 发动机底部密封胶套 | Sealing sleeve at the bottom of engine | 1 |
| 4 | 5787.06012.00.01 | 螺栓 M6*12 | Bolt | 2 |
| 5 | 3360.446.0020.04.00 | 发动机减震垫 | Engine Mounting | 2 |
| 6 | 6177.06000.00.01 | 螺母 M6 | Nut | 2 |
| 7 | 5787.06016.00.01 | 螺栓 M6*16 | Bolt | 4 |
| 8 | 7328.446.0010.00.00 | 发动机支架 | Engine bracket | 2 |
| 9 | 3524.460.0050.00.00 | 防篡改器 | Tamper-proof device | 1 |



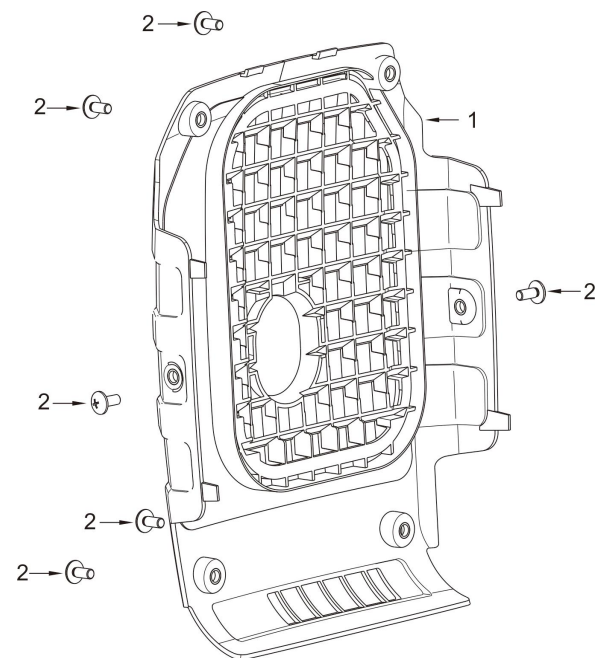
底板/逆变器 (Backplane / Inverter)

| 序号 No. | 零部件图号 Part No. | 零部件名称 | Description | 数量 Quantity |
|-----------|---------------------|--------------------|--------------------------------|----------------|
| 1 | 2470.446.0011.00.00 | 逆变器 | Inverter | 1 |
| 2 | 3242.446.0010.00.00 | 逆变器减震橡胶套 | Inverter damping rubber sleeve | 2 |
| 3 | 6178.05000.00.04 | 夹片螺母 M5 | Nut | 4 |
| 4 | 3145.469.001V.00.00 | T形螺母 M6*20长*14宽*7高 | Nut | 6 |
| 5 | 6177.08000.00.01 | 螺母 M8 | Nut | 4 |
| 6 | 3360.446.0010.00.00 | 支架减震垫 | Support shock pad | 2 |
| 7 | 3340.446.0010.04.00 | 底板部件 | Base plate components | 1 |
| 8 | 3350.467.001V.00.00 | 减震座 | Shock mount | 4 |
| 9 | 5787.06016.00.01 | 螺栓 M6*16 | Bolt | 4 |
| 10 | 3410.467.001V.00.00 | 接地线 | ground wire | 1 |
| 11 | 0818.05006.00.01 | 螺钉 5*6 | Screw | 1 |



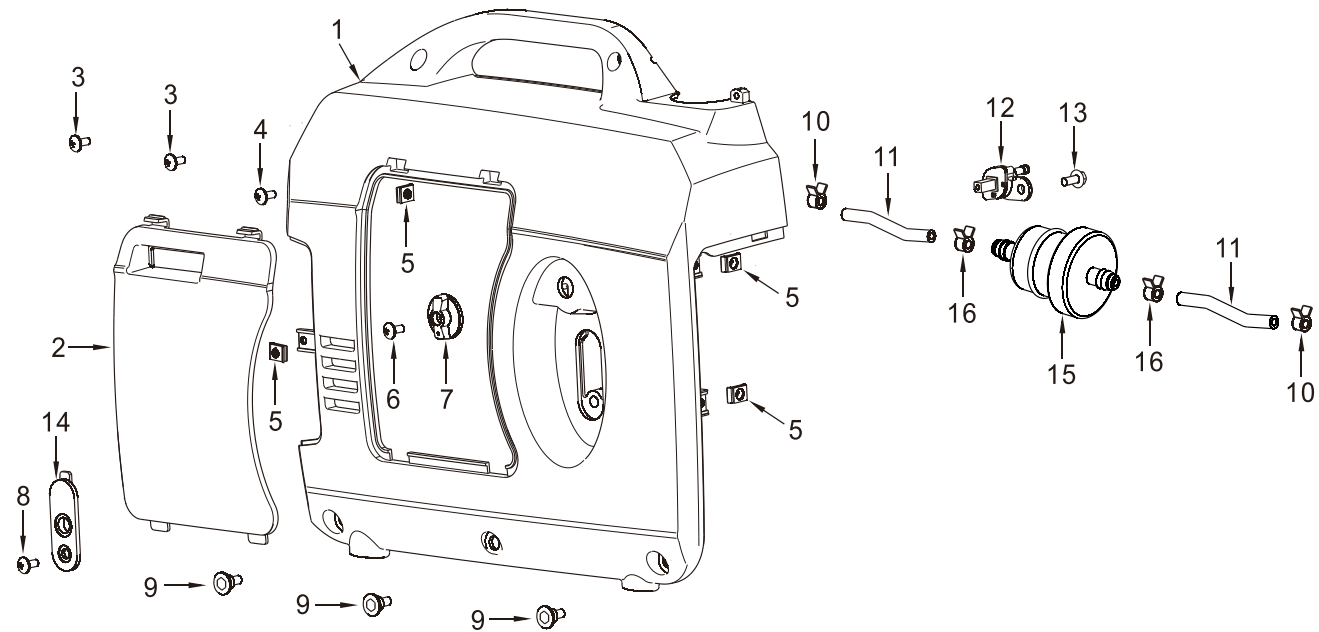
面板 (Panel)

| 序号 No. | 零部件图号 Part No. | 零部件名称 | Description | 数量 Quantity |
|-----------|---------------------|----------|------------------|----------------|
| 1 | 5787.05012.00.01 | 螺栓 M5*12 | Bolt | 2 |
| 2 | 2100.446.0011.00.00 | 点火器 | Igniter | 1 |
| 3 | 6655.446.0011.04.00 | 面板座 | Panel seat | 1 |
| 4 | 0818.05010.00.07 | 螺钉 5*10 | Screw | 4 |
| 5 | 0818.05016.00.07 | 螺钉 5*16 | Screw | 6 |
| 6 | 6950.446.0010.00.00 | 线束 | Wire harness | 1 |
| 7 | 3370.446.0240.04.99 | 面板组件 | Panel as | 1 |
| 8 | 0818.05006.00.07 | 螺钉 5*6 | Screw | 2 |
| 9 | 6111.469.0020.00.00 | 螺栓 M3*10 | Bolt | 5 |
| 10 | 5529.000.0010.00.00 | CO报警器支架 | CO alarm bracket | 1 |
| 11 | 5528.460.0011.00.00 | CO报警器 | CO alarm | 1 |



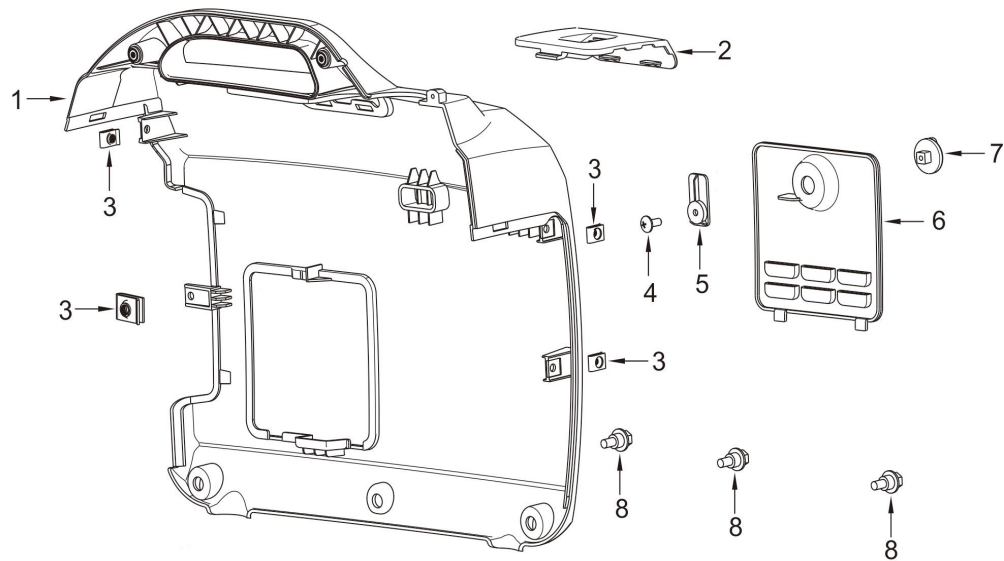
消声器护罩 (Muffler shield)

| 序号 No. | 零部件图号 Part No. | 零部件名称 | Description | 数量 Quantity |
|-----------|---------------------|---------|----------------|----------------|
| 1 | 2420.446.0011.04.00 | 消声器护罩 | Muffler shield | 1 |
| 2 | 0818.05016.00.07 | 螺钉 5*16 | Screw | 6 |



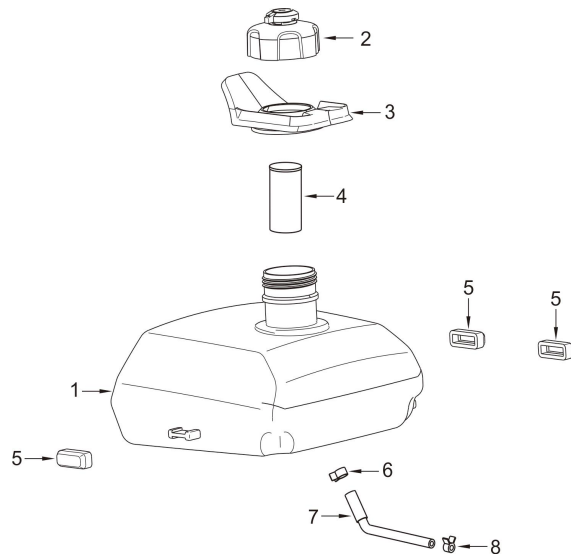
左外观盖板 (Left exterior cover)

| 序号 No. | 零部件图号 Part No. | 零部件名称 | Description | 数量 Quantity |
|-----------|----------------------|-----------------|------------------------------|----------------|
| 1 | 2220.446.0012.P4.00 | 左外壳 | Left shell | 1 |
| 2 | 7530.446.0012.P4.00 | 空滤器维护盖 | Air filter maintenance cover | 1 |
| 3 | 0818.05016.00.07 | 螺钉 5*16 | Screw | 2 |
| 4 | 0845.39016.00.01 | 螺钉 3.9*16 | Screw | 1 |
| 5 | 6178.05000.00.04 | 夹片螺母 M5 | Nut | 4 |
| 6 | 0818.04010.10.01 | 螺钉 4*10 | Screw | 1 |
| 7 | 3211.460.001V.04.00 | 油开关手柄 | Oil switch handle | 1 |
| 8 | 0818.05010.00.07 | 螺钉 5*10 | Screw | 1 |
| 9 | 7344.446.0010.00.00 | 内六角螺栓 M6*16.5 | Bolt | 3 |
| 10 | 2360.458.R003V.00.00 | 带形油管夹 $\Phi 8$ | Ribbon tubing clamp | 2 |
| 11 | 2330.446.C010.00.21 | 化油器进油管 | Carburetor inlet pipe | 2 |
| 12 | 3210.467.001V.00.00 | 油开关 | Oil switch | 1 |
| 13 | 5787.05016.00.01 | 螺栓 M5*16 | Bolt | 1 |
| 14 | 2186.T48.001V.00.00 | 拉手盖板 | Handle cover plate | 1 |
| 15 | 2325.469.0010.00.00 | 燃油过滤器 | Fuel filter | 1 |
| 16 | 2360.458.R004V.00.00 | 带形油管夹 $\Phi 10$ | Ribbon tubing clamp | 2 |



右外观盖板 (Right exterior cover)

| 序号 No. | 零部件图号 Part No. | 零部件名称 | Description | 数量 Quantity |
|-----------|---------------------|-------------------|------------------------|----------------|
| 1 | 2222.446.0010.P4.00 | 右外壳 | Right shell | 1 |
| 2 | 446.4259.0011.P4.00 | 火花塞盖板 | Spark plug cover plate | 1 |
| 3 | 6178.05000.00.04 | 夹片螺母 M5 | Nut | 4 |
| 4 | 0845.04012.00.01 | 螺钉 4*12 | Screw | 1 |
| 5 | 6542.528.001V.00.00 | 限位挡块 37*18*7 | Limit stop | 1 |
| 6 | 5597.446.0012.P4.00 | 机油维护盖 | Oil maintenance cover | 1 |
| 7 | 6378.528.001V.00.00 | 护门旋钮 $\Phi 25*18$ | Knob | 1 |
| 8 | 7344.446.0010.00.00 | 内六角螺栓 M6*16.5 | Bolt | 3 |



燃油箱部件 (Fuel tank components)

| 序号 No. | 零部件图号 Part No. | 零部件名称 | Description | 数量 Quantity |
|-----------|----------------------|---------------------------|------------------------------------|----------------|
| 1 | 3200.446.C011.04.00 | 油箱部件 | Fuel tank components | 1 |
| 2 | 3203.446.C010.00.00 | 油箱盖 | Tank cap | 1 |
| 3 | 3200.446.0010.04.03 | 进油口胶套 | Oil inlet rubber sleeve | 1 |
| 4 | 3204.168.003V.00.00 | 油箱滤网 | Fuel filter | 1 |
| 5 | 5522.467.003V.00.00 | 油箱减震胶套C | Damping rubber sleeve for oil tank | 3 |
| 6 | 2360.458.R007V.00.00 | 带形油管夹 Φ11 | Ribbon tubing clamp | 1 |
| 7 | 2330.148.C02V.00.21 | 油管 (Φ4.5*8.5+Φ7*10.5)*130 | Tubing | 1 |
| 8 | 2360.458.R003V.00.00 | 带形油管夹 Φ8 | Ribbon tubing clamp | 1 |